

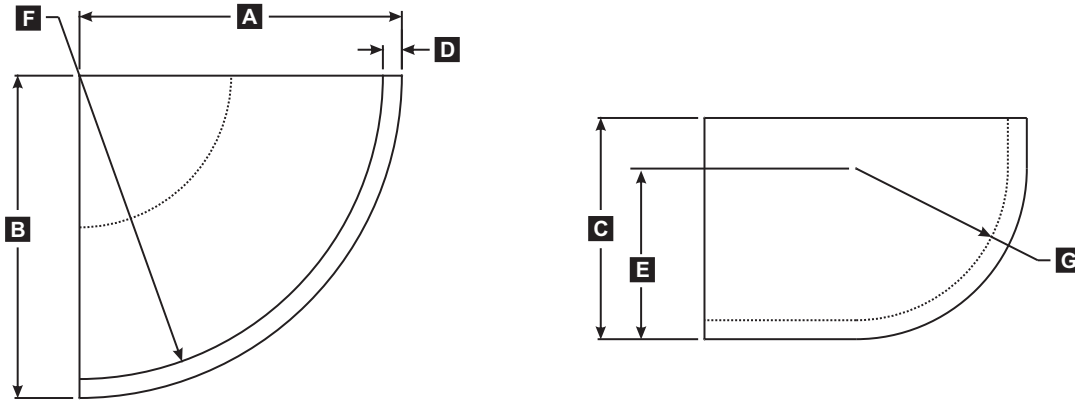


1074 Kenran Industrial Dr.
St. Louis, MO 63137
Phone: 1-800-381-9968

HUMCO DECK FITTINGS

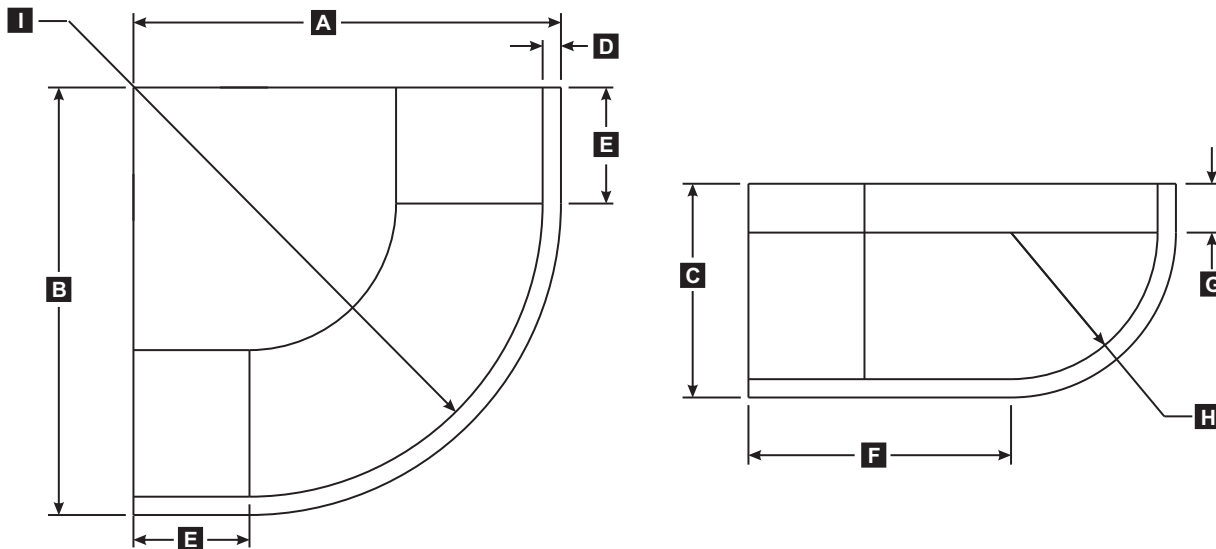
UMC Barge Corners

Barge Corner Square Small **ASTM A27-70-36 Cast Steel**



MODEL	DESCRIPTION	PART #	DIMENSIONS IN INCHES (MM)							LBS (KGS)
			A	B	C	D	E	F	G	
D12X6X4	CORNER CASTING 12" x 6" x 4" LH/RH	02802-302A	12.75" (32)	12.75" (32)	6.75" (17)	.75" (2)	4.75" (12)	12" R (30.4)	4" R (10)	47.5 (21.5)
D12X6X6	CORNER CASTING 12" x 6" x 6" LH/RH	02802-303A	12.75" (32)	12.75" (32)	8.75" (22)	.75" (2)	6.75" (17)	12" R (30.4)	6" R (15)	49 (22)

Barge Corner Square Large **ASTM A27-70-36 Cast Steel**



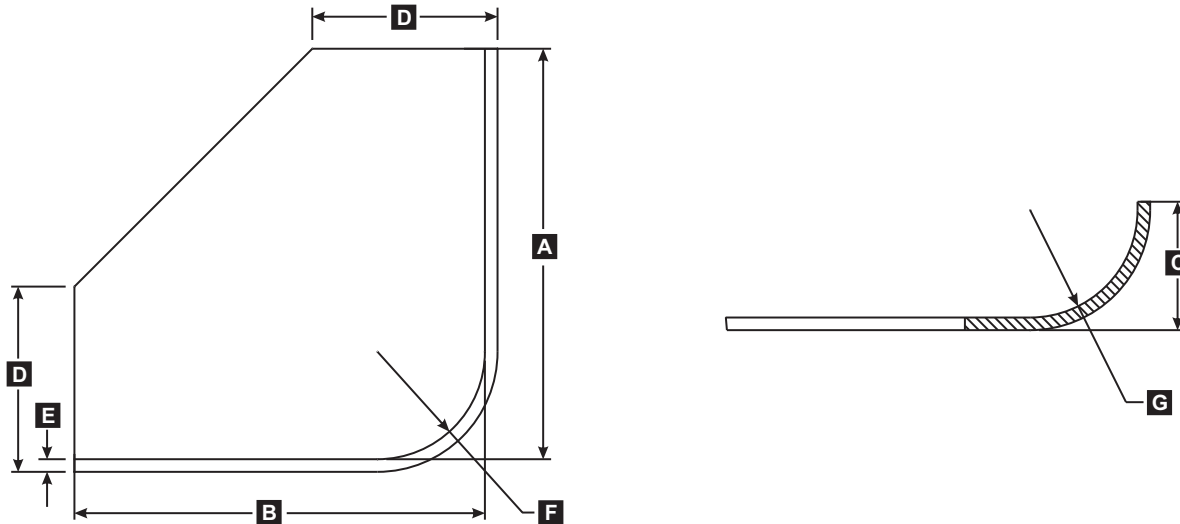
MODEL	DESCRIPTION	STYLE	PART #	DIMENSIONS IN INCHES (MM)								LBS (KGS)	
				A	B	C	D	E	F	G	H		I
DF-486-6	CORNER CASTING LH/RH #6		02802-301A	8.75" (22)	8.75" (22)	8.75" (22)	.75" (2)	2" (5)	2" (5)	2" (5)	6" R (15)	6" R (15)	30.7 (14)
D12RA	CORNER CASTING LH/RH 6"R x 4"R x 16.75"LG		02802-304A	16.75" (42.5)	16.75" (42.5)	6.75" (17)	.75" (2)	4" (10)	12" (30.5)	2" (5)	4" R (10)	12" R (30.5)	76 (34)
D12RB	CORNER CASTING LH/RH 6"R x 8.75"R x 17.5"LG		02802-305A	17.5" (44.5)	17.5" (44.5)	8.75" (22)	.75" (2)	4.75" (12)	10.75" (27)	2" (5)	6" (15)	12" R (30.4)	89 (40)



UMC Barge Corners

Barge Corner Square Large

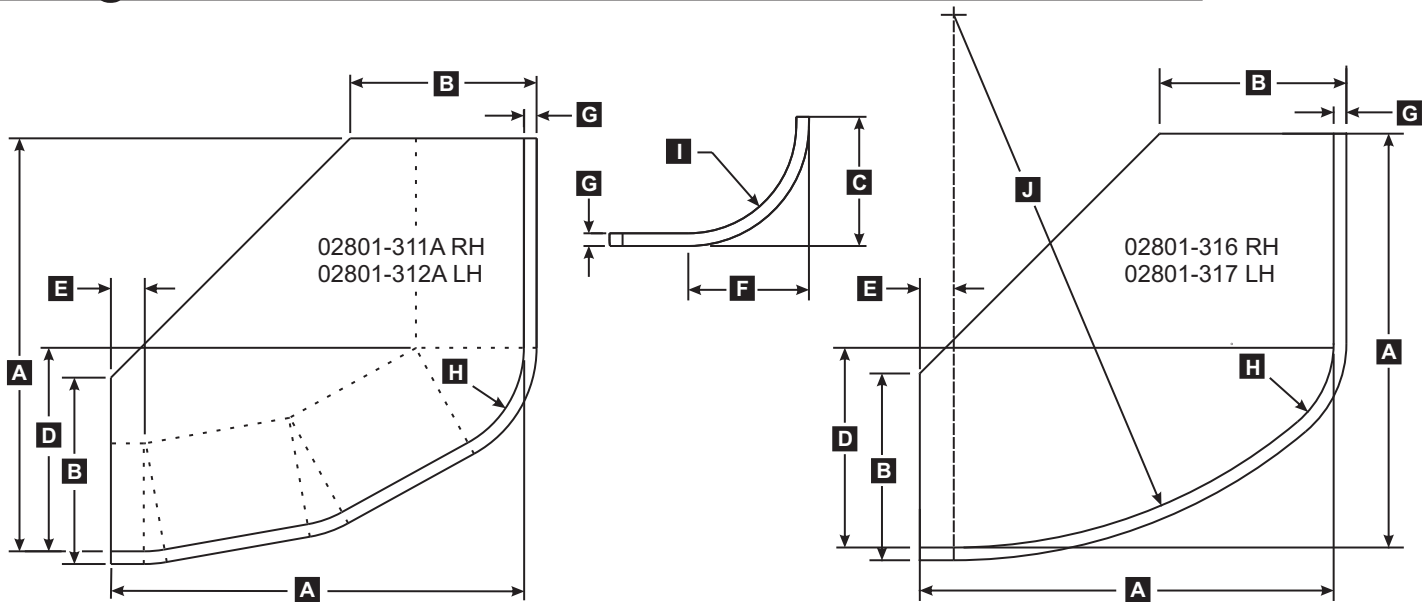
ASTM A27-70-36 Cast Steel



MODEL	DESCRIPTION	PART #	DIMENSIONS IN INCHES (MM)							LBS (KGS)
			A	B	C	D	E	F	G	
E-2682-S	CORNER CASTING LH/RH 24"	02801-303A	12" (62)	12" (62)	7.625" (19)	11" (28)	.75" (2)	6.375" R (16.2)	6.375" R (16.2)	135 (61.2)

Barge Corner LH/RH

ASTM A27-70-36 Cast Steel



11

MODEL	DESCRIPTION	PART #	DIMENSIONS IN INCHES (MM)										LBS (KGS)
			A	B	C	D	E	F	G	H	I	J	
D-2401-S-RH	CORNER, CAST RIGHT HAND	02801-311A	24.38" (61.9)	11" (28)	7.625" (19.4)	12" (30.4)	2" (5)	7.12" (18)	.75" (2)	6.375" (16.2)	6.375" (16.2)	N/A	145 (65.7)
D-2401-S-LH	CORNER, CAST LEFT HAND	02801-312A	24.38" (61.9)	11" (28)	7.625" (19.4)	12" (30.4)	2" (5)	7.12" (18)	.75" (2)	6.375" (16.2)	6.375" (16.2)	N/A	145 (65.7)
E-2656-S-RH	CORNER, CAST RIGHT HAND	02801-316A	24.38 (61.9)	11" (28)	7.625" (19.4)	12" (30.4)	2" (5)	7.12" (18)	.75" (2)	6" (16.2)	6.375" (16.2)	31.4" R (80)	135 (61.2)
E-2656-S-LH	CORNER, CAST LEFT HAND	02801-317A	24.38 (61.9)	11" (28)	7.625" (19.4)	12" (30.4)	2" (5)	7.12" (18)	.75" (2)	6" (16.2)	6.375" (16.2)	31.4" R (80)	135 (61.2)