



1074 Kenran Industrial Dr.
St. Louis, MO 63137
Phone: 1-800-381-9968

HUMCO DECK FITTINGS

Wintech Dual Swivel Fairleads

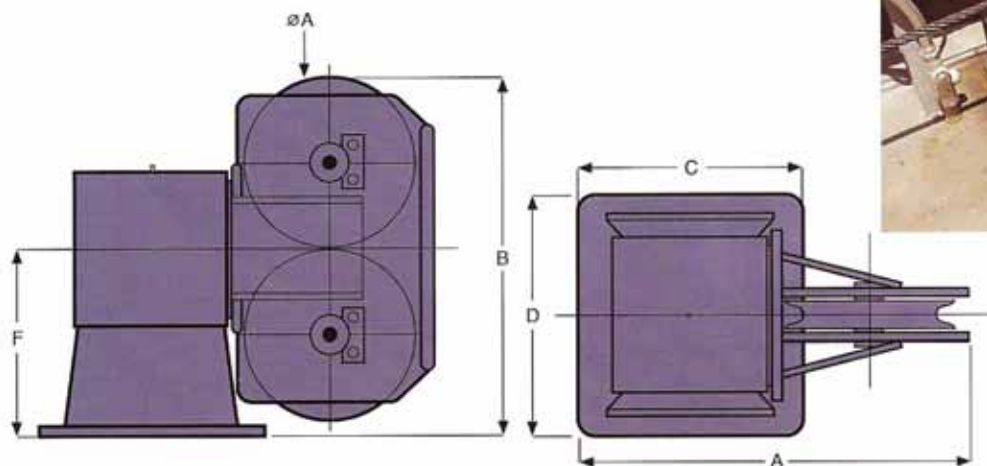


STANDARD FEATURES

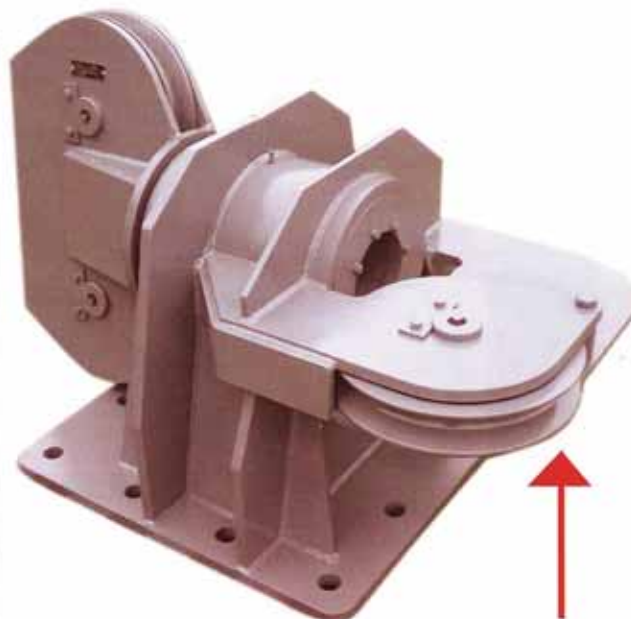
The swivel head fairleads allow rope to depart at any angle while maintaining alignment with sheaves. They feature heavy duty steel sheaves with bronze bushings and tapered roller bearings in the swivel assembly. Jeamar Dual Swivel Fairleads can be floor or wall mounting and are built with all steel frame construction and weld-down Bases.

OPTIONS

The Jeamar Dual Swivel Fairleads can be ordered with sealed roller bearings and bolt-down base plates. They are available in custom sizes and configurations.



Model Number		DSF2 10	DSF2 10	DSF2 10	DSF2 10	DSF2 10	
Sheave Diameter	in	10	12	14	18	22	
	mm	254	304.8	355.6	457.2	558.8	
Wire Rope Breaking Strength	lb	58800	103400	159800	228000	266000	
	kg	26727	47000	72636	103636	120909	
Rope Diameter	ft	3/4	1	1-1/4	1-1/2	1-3/4	
	m	19	25	32	38	44	
Weight	lb	300	600	800	1500	2200	
	kg	136.4	272.7	363.6	681.8	1000.0	
DIMENSIONS	A	in	10	12	14	18	22
		mm	254	304.8	355.6	457.2	558.8
	B	in	21.50	25.50	29.63	38.50	47.00
		mm	546	648	752	978	1194
	C	in	23.50	28.00	32.44	42.00	51.50
		mm	597	711	824	1067	1308
	D	in	15.00	17.50	20.00	26.00	32.00
		mm	381	444.5	508	660.4	812.8
	E	in	13.50	16.00	18.50	24.00	29.50
		mm	343	406	470	610	749
	F	in	11.00	13.50	15.50	19.50	23.50
		mm	279	343	394	495	597



Shown with optional cable guide.



1074 Kenran Industrial Dr.
St. Louis, MO 63137
Phone: 1-800-381-9968

HUMCO DECK FITTINGS

Specialty Fairleads



90° Deflector Fairlead

Dredge Anchor Fairlead

**Humco Offers Unique Custom Fairleads
For All Types of Applications.
Most Sheaves and Blocks
Can be Offered with a Steel Sheave or a
Totally Synthetic Greaseless Sheave.**