



1074 Kenran Industrial Dr.
St. Louis, MO 63137
Phone: 1-800-381-9968

HUMCO DECK FITTINGS

Wintech Self Aligning Roller Chocks



WINTECH™ ... "A Winch For Every Application"

Self Aligning Roller Chocks

Taking The Winch Industry By Storm

**AN UPGRADE OVER
CONVENTIONAL HILL-SIDE
ROLLER CHOCKS FOR FACE
WIRE AND WING WIRE
RIGGING**

PATENT PENDING



Revolutionary - Money Saving - Efecient - Durable

The Wintech Roller Chock is a self-aligning chock, which pivots up and down to automatically accommodate empty or loaded barges. Improved sheave alignment reduces premature cable and sheave wear. The Roller Chock is offered in three sizes up to 1 1/8" wire.

MODEL	SHEAVE DIA.	CAP. (TONS)
RC8-20	8"	20
RC10-40	10"	40
RC12-65	12"	65

Custom sizes available upon request.

Sheave replacement is as simple as removing two bolts and sliding out a shaft. Because the sheave and/or entire chock can be changed with a single wrench, the vessel will never have to be gas freed for welding work.

*Also useful on:
Docks,
Terminals,
Dredges,...*

**** All Chocks are specially designed and manufactured from corrosion resistant materials for a long service life in marine environments.*



1074 Kenran Industrial Dr.
 St. Louis, MO 63137
 Phone: 1-800-381-9968

HUMCO DECK FITTINGS

Wintech Roller Chocks

REV	DATE	CHANGE NUMBER	AMENDMENTS	BY	APPD
A	19MAR04		CHGD SHAPE #389, CHGD MAT'L #586, #6,7,10 LONGER, REMOVED #15	BL	JL
B	05MAR09		CHANGES AS NOTED	BL	JH
C	10JUN09		ADDED BUSHING TO PIVOT, ZERK WAS DRIVE-IN; #5 WAS 1/8 SHORTER	BL	JH

ITEM	PART NUMBER	OPER DESC	DESCRIPTION	MATERIAL	UNIT QTY
20	B05-0276	B	BUSHING, OILITE, 1" ID X 1.25" OD X 1" LG	841 BRZ	2
19	125004	2	3/8" ROUND BAR - 4-1/4" LG	A36	0.7 FT
18	B14-0303	X	KEEPER TAB, SMALL		1
17	B11-0120	B	LOCKWASHER, 1/2" SS	STAINLESS	2
16	B11-0119	B	CAPSCREW, HEX 1/2"-13, 1-1/4" LGTH SS	STAINLESS	2
15	B53095	B	GREASE FITTING, 1/8"NPT		2
14	B71064208	FI	NAME PLATE, 1-18" X 3-1/4" "WINTECH"		1
13	B23-0011	B	LOCKWASHER, 3/8" SS	STAINLESS	4
12	B11-0140	B	CAPSCREW, HEX, 3/8"-16 X 5/8" LGTH SS	STAINLESS	4
11	B14-0029	X	KEEPER TAB		1
10	147016	1	R 1"; 9" LGTH (STAINLESS)	ANSI 304SS	.8 FT
9	100071	1	P 3/4"; 10-1/4" X 9"	A-36	.7 SF
8	125011	1	R 1"; 2-1/2" LGTH	A-36	.2 FT
7	100041	1	P 3/8"; 11-3/16" X 8-1/2"	A-36	.7 SF
6	100041	1	P 3/8"; 11-3/16" X 8-1/2"	A-36	.7 SF
5	100061	4	P 5/8"; 3-5/8" X 3-11/16"	A-36	.4 SF
4	100021	1	P 1/4"; 8-1/2" X 2-3/8"	A-36	.2 SF
3	100091	2	P 1"; 4" X 3-1/8"	A-36	.2 SF
2	B15-0024	1	R 8"; 2-1/2" LGTH	OF NYLON	.2 FT
1	147040	1	R 2"; 3-13/16" LGTH (STAINLESS)	ANSI 304SS	.4 FT

WINTech INTERNATIONAL INC
 Shreveport, Louisiana; United States of America

TITLE: MODEL RC8-20 ROLLER CHOCK, 20 TON

DATE: 1/7/92

DESIGNED BY: N/A

CHECKED BY: N/A

DATE: 1/7/92

SCALE: 1/4"

REV: 4

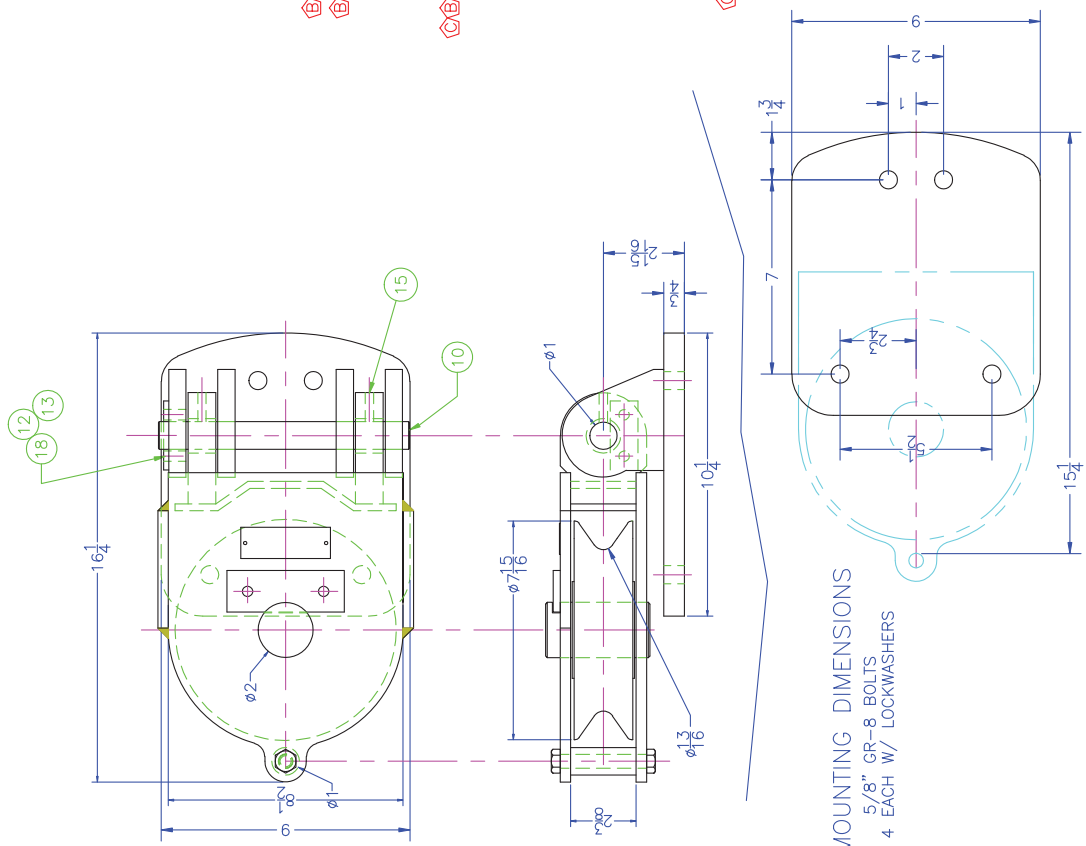
BY: BL

APPD: JL

REV: C

BY: BL

APPD: JL



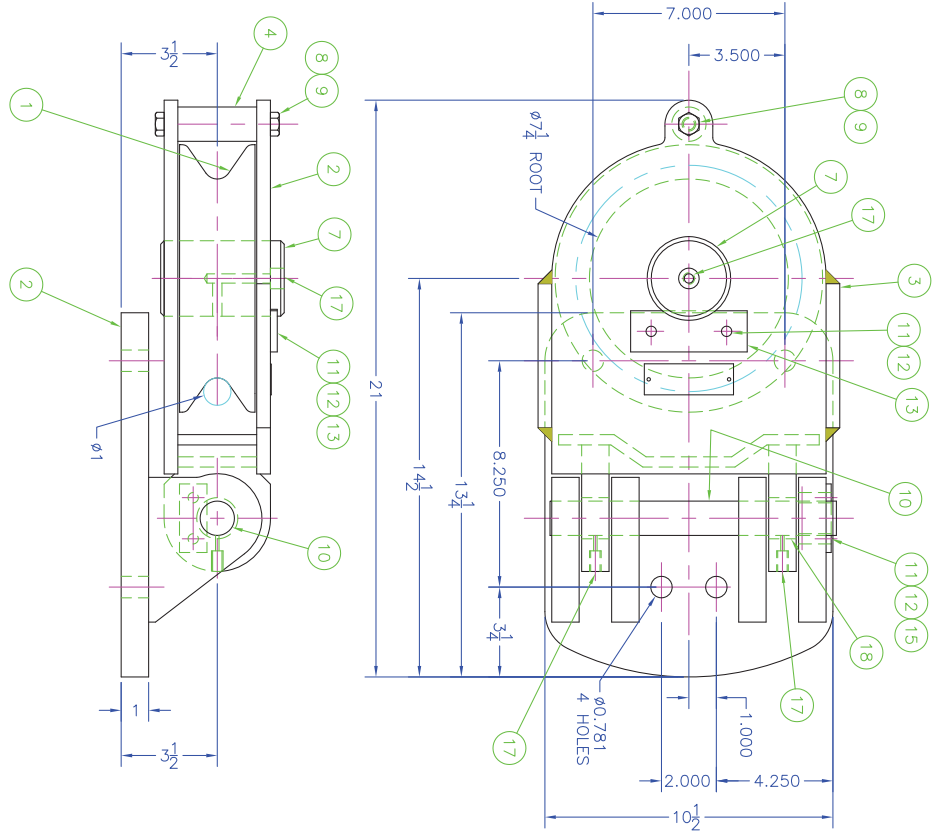
MOUNTING DIMENSIONS
 5/8" GR-8 BOLTS
 4 EACH W/ LOCKWASHERS



1074 Kenran Industrial Dr.
St. Louis, MO 63137
Phone: 1-800-381-9968

HUMCO DECK FITTINGS

Wintech Roller Chocks

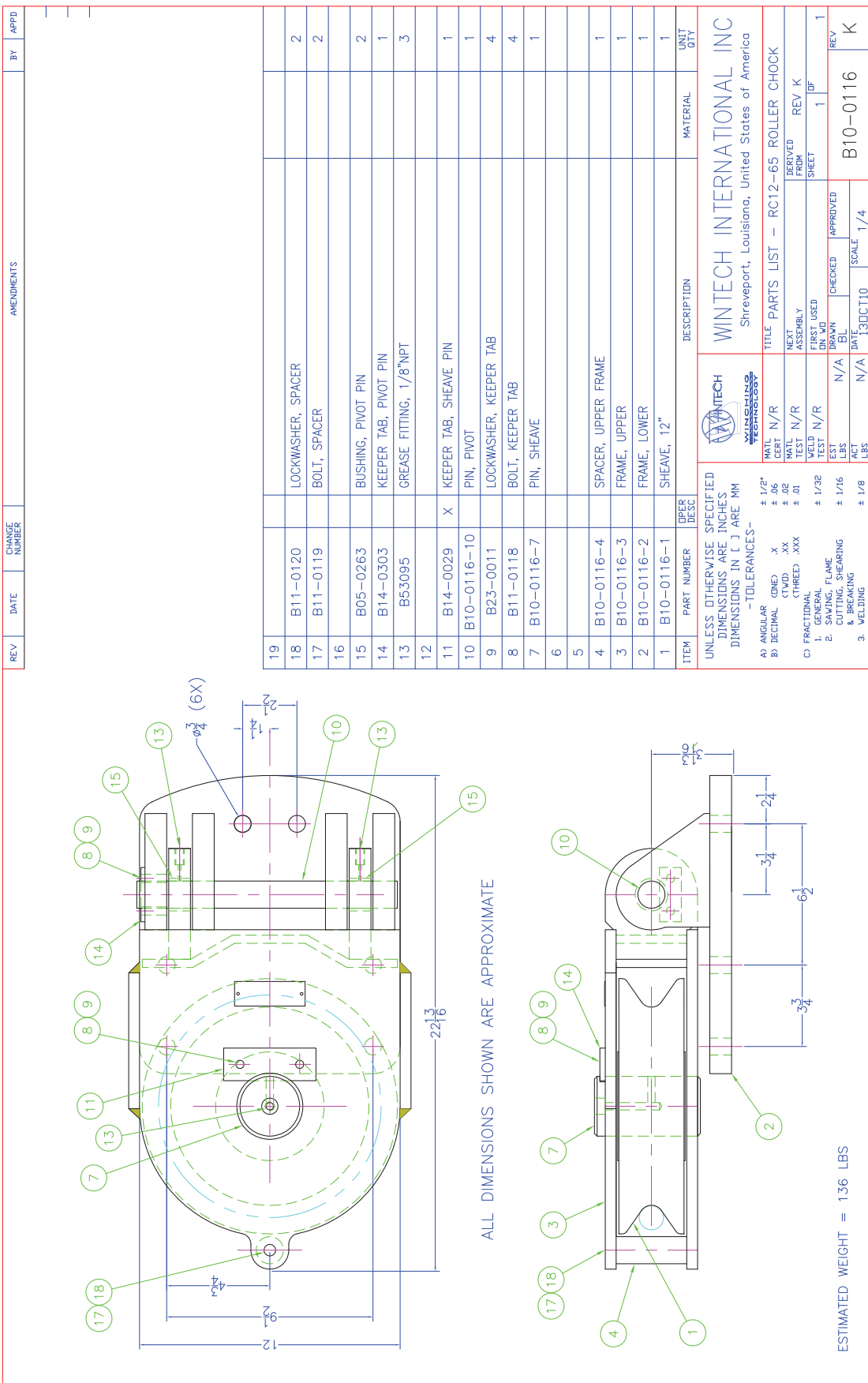


REV	DATE	CHANGE NUMBER	AMENDMENTS	BY	APP'D
19					
18		B05-0263	BUSHING, PIVOT PIN		2
17		53095	B GREASE FITTING, 1/8"NPT		3
16			KEEPER TAB, PIVOT PIN		1
15		B14-0303	KEEPER TAB, PIVOT PIN		1
14					
13		B14-0029	KEEPER TAB, SHEAVE PIN		1
12		B11-0118	BOLT, KEEPER TAB		4
11		B23-0011	LOCKWASHER, KEEPER TAB		4
10		B10-0097-10	PIN, PIVOT		1
9		B11-0120	LOCKWASHER, SPACER		2
8		B11-0119	BOLT, SPACER		2
7		B10-0097-7	PIN, SHEAVE		1
6					
5		B10-0097-4	SPACER, UPPER FRAME		1
4		B10-0097-3	FRAME, UPPER		1
3		B10-0097-2	FRAME, LOWER		1
2		B10-0097-1	SHEAVE, 10"		1
1					

ITEM	PART NUMBER	QTY PER DESG	DESCRIPTION	MATERIAL	UNIT QTY
UNLESS OTHERWISE SPECIFIED DIMENSIONS ARE INCHES UNLESS INDICATED OTHERWISE					
-TOLERANCES-					
A) ANGULAR	ONE	X	± 1/2°		
B) DECIMAL	ONE	X	± .06		
	THIRD	XX	± .02		
	THIRD	XXX	± .01		
C) FRACTIONAL	ONE	X	± 1/32		
	SAVING	FLAME	± 1/16		
	CUTTING, SHEARING		± 1/16		
	& BREAKING		± 1/8		
3. WELDING			± 1/8		

WINTECH	WINTECH INTERNATIONAL INC
WALSHEIM, MISSOURI	Shreveport, Louisiana, United States of America
TITLE	PARTS LIST - RC10-40 ROLLER CHOCK
DRAWN	CHECKED
DATE	SCALE
10/01/10	1/4
APPROVED	
DERIVED FROM	DERIVED FROM
B10-0097	B10-0097
SHEET 1	OF 1
B10-0097**	
REV	REV
K	K

Wintech Roller Chocks





1074 Kenran Industrial Dr.
St. Louis, MO 63137
Phone: 1-800-381-9968

HUMCO DECK FITTINGS

Wintech Dual Swivel Fairleads

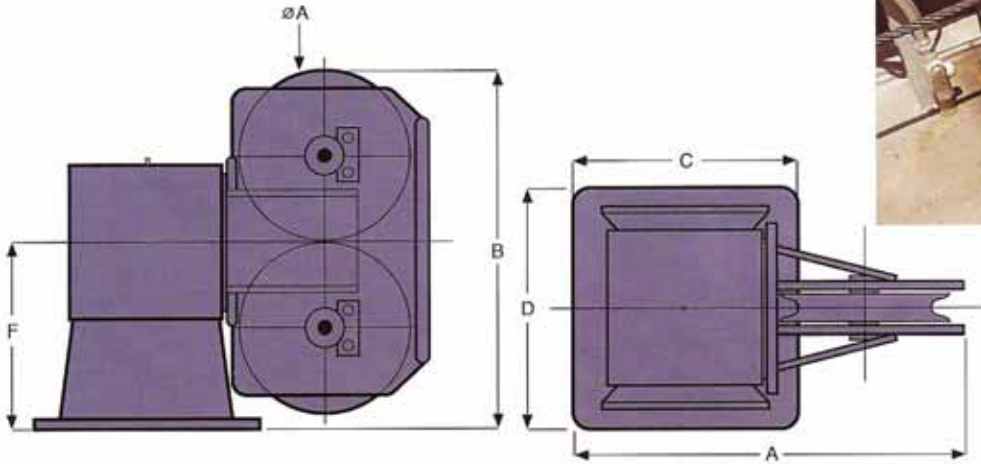


STANDARD FEATURES

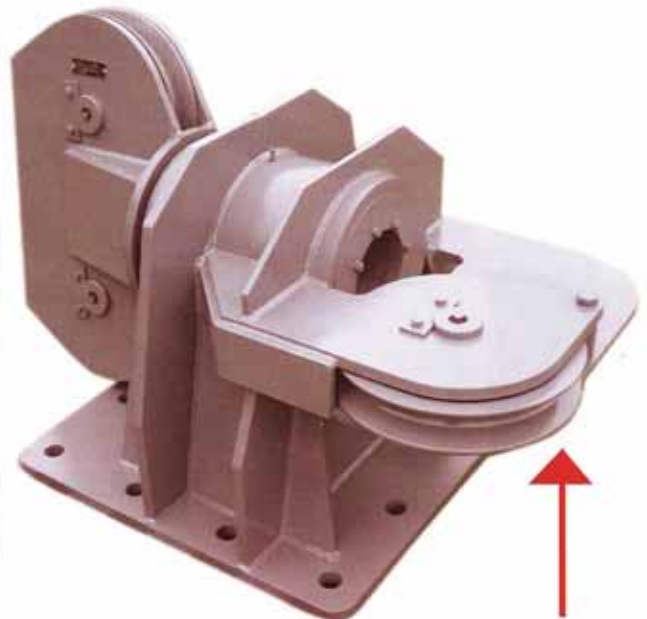
The swivel head fairleads allow rope to depart at any angle while maintaining alignment with sheaves. They feature heavy duty steel sheaves with bronze bushings and tapered roller bearings in the swivel assembly. Jeamar Dual Swivel Fairleads can be floor or wall mounting and are built with all steel frame construction and weld-down Bases.

OPTIONS

The Jeamar Dual Swivel Fairleads can be ordered with sealed roller bearings and bolt-down base plates. They are available in custom sizes and configurations.



Model Number		DSF2 10	DSF2 10	DSF2 10	DSF2 10	DSF2 10	
Sheave Diameter	in	10	12	14	18	22	
	mm	254	304.8	355.6	457.2	558.8	
Wire Rope Breaking Strength	lb	58800	103400	159800	228000	266000	
	kg	26727	47000	72636	103636	120909	
Rope Diameter	ft	3/4	1	1-1/4	1-1/2	1-3/4	
	m	19	25	32	38	44	
Weight	lb	300	600	800	1500	2200	
	kg	136.4	272.7	363.6	681.8	1000.0	
DIMENSIONS	A	in	10	12	14	18	22
		mm	254	304.8	355.6	457.2	558.8
	B	in	21.50	25.50	29.63	38.50	47.00
		mm	546	648	752	978	1194
	C	in	23.50	28.00	32.44	42.00	51.50
		mm	597	711	824	1067	1308
	D	in	15.00	17.50	20.00	26.00	32.00
		mm	381	444.5	508	660.4	812.8
	E	in	13.50	16.00	18.50	24.00	29.50
		mm	343	406	470	610	749
	F	in	11.00	13.50	15.50	19.50	23.50
		mm	279	343	394	495	597



Shown with optional cable guide.