



1074 Kenran Industrial Dr.  
St. Louis, MO 63137  
Phone: 1-800-381-9968

# HUMCO DECK FITTINGS

## Jeamar GW Series Wall Mount

### Jeamar Winches

YOUR FIRST CHOICE FOR WINCHING SOLUTIONS

## GW Series Wall Mount

#### Seven Rugged Sizes

Linepulls from 550 lbs. (250 kg) to 11,000 lbs. (5,000 kg).

#### Two Speeds

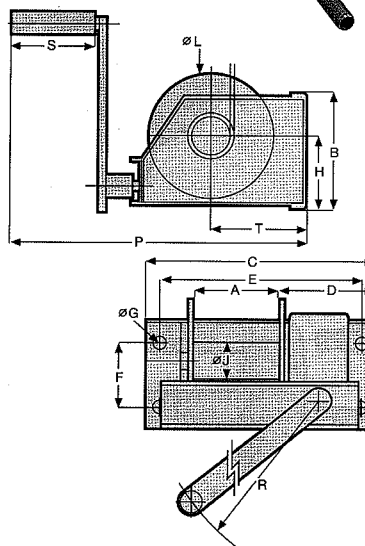
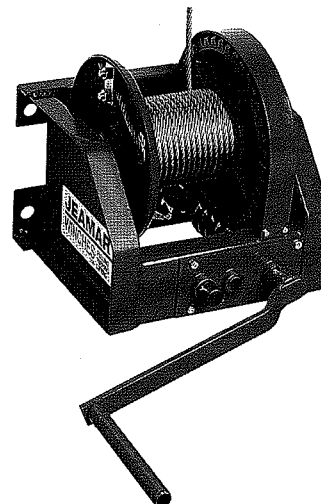
Higher-capacity models are equipped with two-speed gearing for ease in handling heavy loads.

#### Brakes are standard/Removable Handle

Load activated braking and a removable handle prevent tampering if the operator must leave the winch under load.

#### Bearings

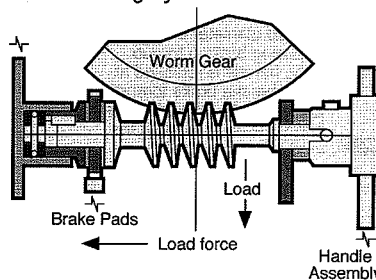
Effective use of needle roller bearings and bushings minimizes friction, ensures ease of operation, smooth running, increased life and minimum cranking effort.



Model Number		GW 550	GW 1100	GW 2200	GW 3300	GW 4400	GW 6600	GW 11000	
Working Load Limit (1st Layer)	lb	550	1100	2200	3300	4400	6600	11000	
	kg	250	500	1000	1500	2000	3000	5000	
Rope Diameter	in	3/16	1/4	3/8	7/16	1/2	5/8	3/4	
	mm	5	6	9	10	13	16	20	
Rope Storage Capacity	ft	222	222	190	165	158	140	140	
	m	68	68	58	50	48	43	43	
Lift Per Crank Rotation (High Speed)	in	1.7	1.7	1.0	0.9	0.8	0.6	0.7	
	mm	44	42	25	24	21	16	18	
Lift Per Crank Rotation (Low Speed)	in	-	-	-	-	0.4	0.3	0.4	
	mm	-	-	-	-	11	8	9	
Hand Force Required	lb	11	20	31	46	26	37	77	
	N	49	88	137	206	118	167	343	
Weight	lb	29	35	57	62	132	172	253	
	kg	13	16	26	28	60	78	115	
DIMENSIONS	A	in	4.21	5.08	6.30	7.28	7.09	8.07	7.87
		mm	107	129	160	185	180	205	200
	B	in	6.69	7.48	10.24	10.35	16.50	21.65	24.13
		mm	170	190	260	263	419	550	613
	C	in	11.54	12.32	13.70	14.88	16.14	17.17	17.17
		mm	293	313	348	378	410	436	436
	D	in	4.84	4.92	5.00	5.00	5.39	5.39	5.43
		mm	123	125	127	127	137	137	138
	E	in	10.28	11.06	12.44	13.62	14.17	15.20	15.20
		mm	261	281	316	346	360	386	386
	F	in	3.21	4.17	5.55	7.01	7.72	9.88	12.44
		mm	81.5	106	141	178	196	251	316
	G	in	7/16	7/16	7/16	7/16	1	1	1
		mm	17	17	17	17	25	25	25
	H	in	3.45	3.78	5.51	5.59	9.80	12.13	13.19
		mm	87.7	96	140	142	249	308	335
	J	in	1.90	2.76	4.00	4.00	5.24	6.50	8.63
		mm	48.3	70	101.6	101.6	133	165.1	219.1
	L	in	6.30	7.48	9.45	9.45	12.28	14.80	17.20
		mm	160	190	240	240	312	376	437
P	in	16.14	17.32	19.29	19.29	29.13	32.48	34.06	
	mm	410	440	490	490	740	825	865	
R	in	13.78	13.78	13.78	13.78	14.96	14.96	14.96	
	mm	350	350	350	350	380	380	380	
S	in	5.51	5.51	5.51	5.51	9.84	9.84	9.84	
	mm	140	140	140	140	250	250	250	
T	in	4.76	5.43	6.46	6.46	8.19	10.24	11.73	
	mm	121	138	164	164	208	260	298	

#### Automatic Brakes are Standard

Brakes respond automatically when the handle is released. Recoil is prevented and the load is held securely in any position. Ask for your copy of the technical bulletin on this Jeamar braking system.



Jeamar manufactures heavy duty winches for virtually any application. Thirteen different models are available in a wide range of sizes. Load activated brakes are standard on all models and sizes.



1074 Kenran Industrial Dr.  
St. Louis, MO 63137  
Phone: 1-800-381-9968

# HUMCO DECK FITTINGS

## Jeamar CMS Series

### CMS Series

**Jeamar Winches**  
YOUR FIRST CHOICE FOR WINCHING SOLUTIONS

### Stainless Steel Console Mount

Model Number		CMS 1450	CMS 2200	
Working Load Limit (1st Layer)	lb	1450	2200	
	kg	659	1000	
Rope Diameter	in	1/4	5/16	
	mm	6	7	
Rope Storage Capacity	ft	66	85	
	m	20	26	
Lift Per Crank Rotation	in	2.2	1.8	
	mm	55	45	
Hand Force Required	lb	50	54	
	N	220	240	
Weight	lb	16.72	26.62	
	kg	7.6	12.1	
DIMENSIONS	A	in	1.97	1.97
		mm	50	50
	B	in	6.69	9.45
		mm	170	240
	C	in	3.74	3.74
		mm	95	95
	D	in	9.13	10.75
		mm	232	273
	E	in	7.56	10.47
		mm	192	266
	F	in	-	6.73
		mm	-	171
	G	in	0.41	0.41
		mm	10.5	10.5
	H	in	3.94	5.43
		mm	100	138
	J	in	2.50	2.50
		mm	63.5	63.5
	K	in	2.28	2.95
		mm	58	75
L	in	7.20	10.04	
	mm	183	255	
M	in	3.94	3.07	
	mm	100	78	
N	in	0.98	1.38	
	mm	25	35	
P	in	11.46	11.46	
	mm	291	291	
R	in	9.84	9.84	
	mm	250	250	
S	in	4.21	4.21	
	mm	107	107	
T	in	2.17	2.17	
	mm	55	55	
U	in	1.5	1.2	
	mm	38	30	

#### Stainless Steel

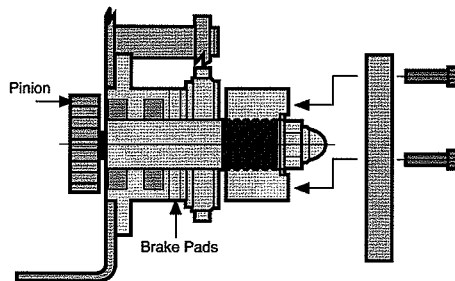
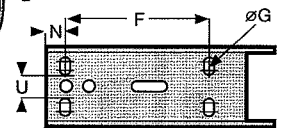
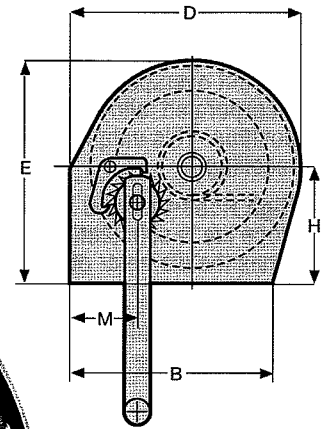
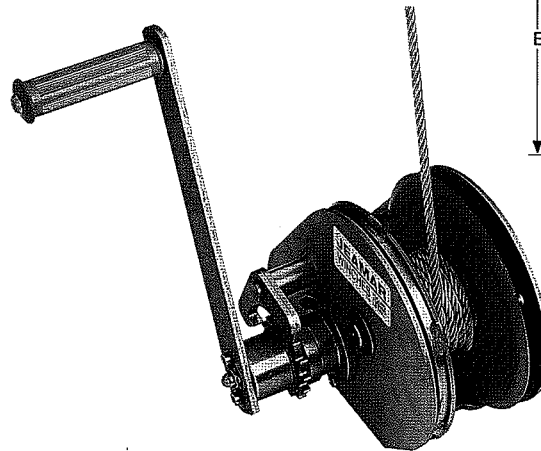
Corrosion resistant in hostile environments and ideal in hygienic applications such as food processing and pharmaceutical manufacturing.

#### Lightweight

For easy handling and installation.

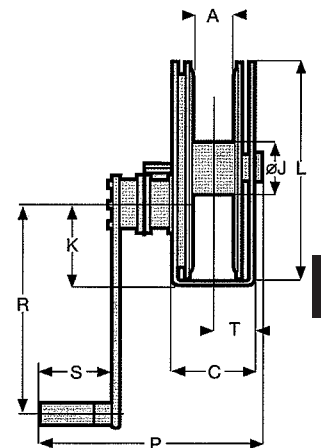
#### High Efficiency

Leading-edge design reduces cranking effort.



#### Automatic Brakes are Standard

The winch is supplied with a detachable handle. The braking system is applied automatically when the operator stops turning the crank and the load is held securely. Ask for your copy of the technical bulletin on this Jeamar braking system.



Jeamar manufactures heavy duty winches for virtually any application. Thirteen different models are available in a wide range of sizes. Load activated brakes are standard on all models and sizes.



1074 Kenran Industrial Dr.  
St. Louis, MO 63137  
Phone: 1-800-381-9968

# HUMCO DECK FITTINGS

## Jeamar CFF Series Controlled

**Jeamar Winches**  
YOUR FIRST CHOICE FOR WINCHING SOLUTIONS

## CFF Series Controlled

### Free Fall

#### Controlled Free Fall

By simply pushing the handle back in the reverse direction, the winch will pay out at a controlled speed. The pay out speed is variable up to a predetermined maximum and is under the full control of the operator at all times. When the handle is released, the holding brake automatically goes on and the load is held.

#### Standard Double Braking System

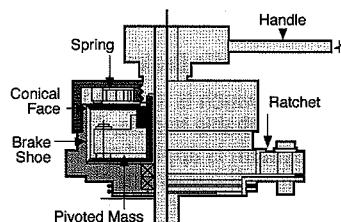
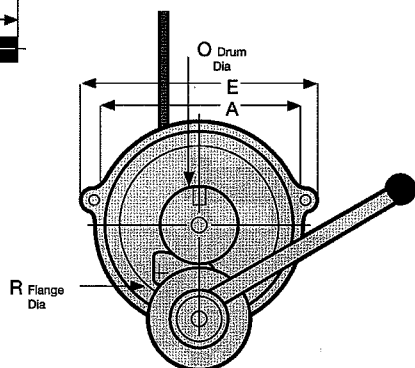
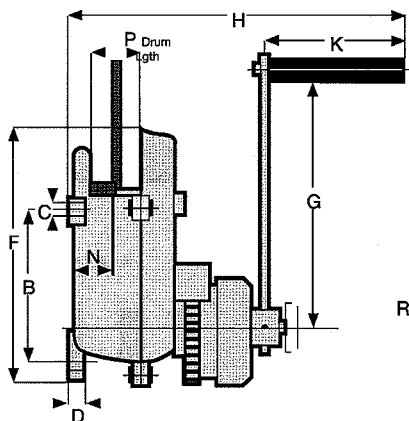
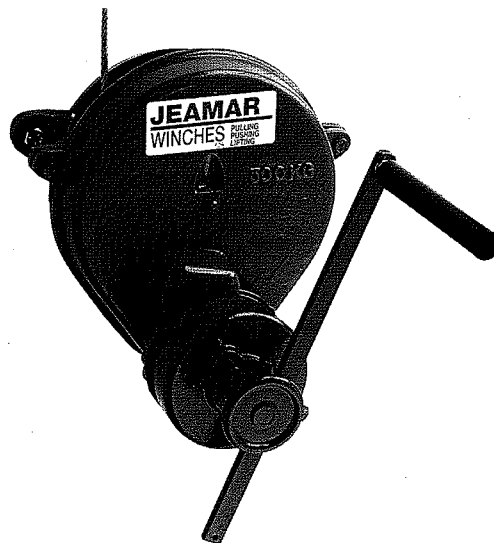
A centrifugal dynamic brake is incorporated to govern maximum speed and to prevent overspeeding of the load. In addition, a load-activated brake is incorporated, allowing the operator to stop and hold the load securely in any position. This unique braking system also prevents the winch handle from recoiling.

#### High Rope-to-Drum Ratio

Rope life is substantially increased with drum diameters a minimum of 20 times the diameter of the rope.

#### Fully Enclosed Gears

All gears are fully enclosed, increasing operational protection and making the winch ideal for use in adverse conditions.



Model Number	CFF 660	CFF 1100	CFF 2200	CFF 3300		
Working Load Limit	lb	660	1100	2200	3300	
	kg	300	500	1000	1500	
Rope Diameter	in	3/16	1/4	3/8	7/16	
	mm	5	6	9	11	
Rope Storage Capacity	ft	85	67	50	45	
	m	26	20	15	14	
Lift Per Crank Rotation	in	3.0	2.72	1.42	1.18	
	mm	76	69	36	30	
Hand Force Required At Maximum Load	lb	22.7	33.9	36.1	44.7	
	N	101	151	161	199	
Maximum Lowering Speed	ft/min	118	118	59	59	
	m/min	36	36	18	18	
Weight	lb	75	110	191	242	
	kg	34	50	87	110	
DIMENSIONS	A	in	10.43	13.19	13.58	14.76
		mm	265	335	345	375
	B	in	8.74	10.63	18.78	20.98
		mm	222	270	477	533
	C	in	0.59	0.75	0.79	0.79
		mm	15	19	20	20
	D	in	0.95	0.98	1.18	1.18
		mm	24	25	30	30
	E	in	12.17	15.63	15.75	17.56
		mm	309	397	400	446
	F	in	13.70	17.13	24.8	27.36
		mm	348	435	630	695
	G	in	17.32	17.32	17.32	17.32
		mm	440	440	440	440
	H	in	21.97	22.95	23.74	24.72
		mm	558	583	603	628
K	in	9.37	9.37	9.37	9.37	
	mm	238	238	238	238	
N	in	2.48	2.95	3.74	4.13	
	mm	63	75	95	105	
O	in	4.72	5.90	7.87	8.07	
	mm	120	150	200	205	
P	in	3.11	3.39	4.61	4.92	
	mm	79	86	117	125	
R	in	7.68	10.24	10.83	11.42	
	mm	195	260	275	290	

11

#### Automatic Brakes are Standard

The brake mechanism uses a split-shoe brake acting against a cylindrical drum. Counterclockwise rotation of the handle releases the brake by removing the axial pressure at the conical faces. The load begins to fall and the pivoted masses swing out under centripetal acceleration and reapply the brake. Releasing the handle applies the brake for positive holding of the load. Ask for your copy of the technical bulletin on this Jeamar braking system.

Jeamar manufactures heavy duty winches for virtually any application. Thirteen different models are available in a wide range of sizes. Load activated brakes are standard on all models and sizes.



1074 Kenran Industrial Dr.  
St. Louis, MO 63137  
Phone: 1-800-381-9968

# HUMCO DECK FITTINGS

## Jeamar CMA Series Seaworthy Winch

### CMA Series Seaworthy

#### Aluminum

**Jeamar Winches**  
YOUR FIRST CHOICE FOR WINCHING SOLUTIONS

#### Seaworthy Aluminum

Corrosion resistant and ideal for deck machinery or dockside applications.

#### Cranking Flexibility

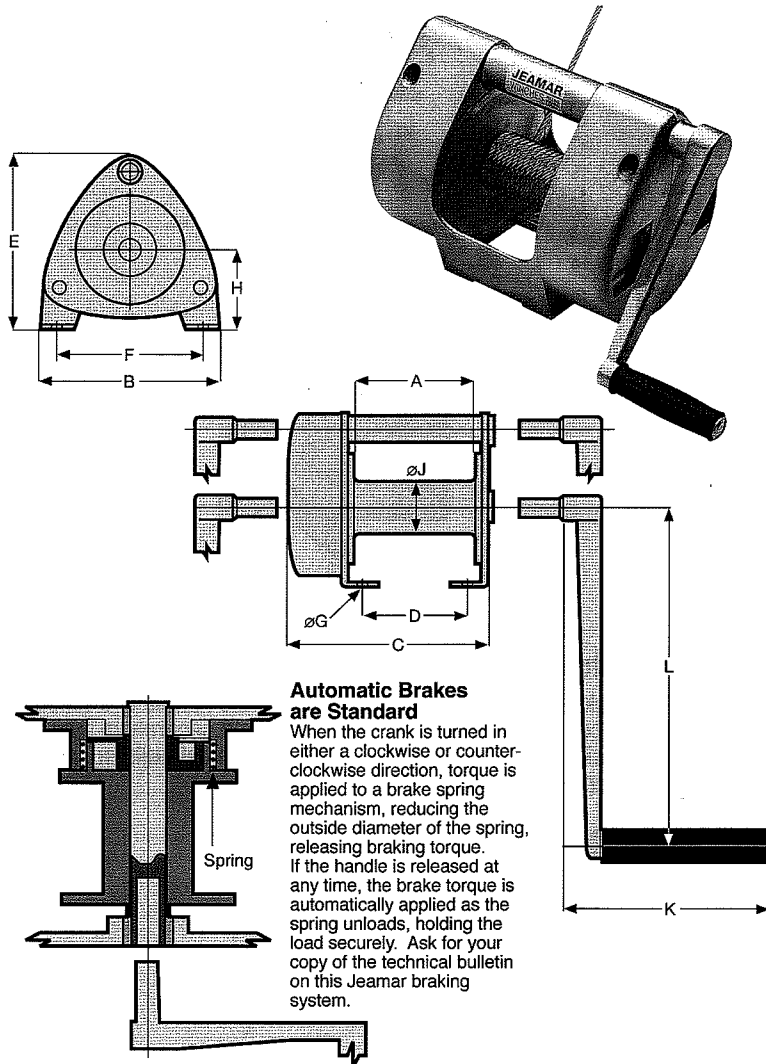
Can be operated from either end, providing flexibility where space is limited.

#### Two Speeds

Higher-capacity models are equipped with two-speed gearing for ease in handling heavy loads.

#### Rope off at any angle

Mount in any position; rope comes off where you want it.



#### Automatic Brakes are Standard

When the crank is turned in either a clockwise or counter-clockwise direction, torque is applied to a brake spring mechanism, reducing the outside diameter of the spring, releasing braking torque. If the handle is released at any time, the brake torque is automatically applied as the spring unloads, holding the load securely. Ask for your copy of the technical bulletin on this Jeamar braking system.

Model Number		CMA 440	CMA 1100	CMA 1760
Working Load Limit	Low Speed Drive (1st Layer)	lb 440	1100	1760
		kg 200	500	800
High Speed Drive (1st Layer)	Low Speed Drive (1st Layer)	lb *	198	429
		kg *	90	195
Rope Diameter		in 3/16	1/4	5/16
		mm 5	6	7
Rope Storage Capacity		ft 131	164	256
		m 40	50	78
Lift Per Crank Rotation	Low Speed Drive	in 6.7	2.4	1.4
		mm 170	60	36
High Speed Drive	Low Speed Drive	in *	8.2	9.7
		mm *	208	246
Hand Force Required		lb 43	27	40
		N 190	120	180
Weight		lb 17.6	30.8	35.2
		kg 8	14	16
DIMENSIONS	A	in 4.72	4.72	7.87
		mm 120	120	200
	B	in 6.30	6.30	12.83
		mm 160	160	326
	C	in 7.56	12.99	12.99
		mm 192	330	330
	D	in 5.51	3.94	7.09
		mm 140	100	180
	E	in 6.50	10.51	12.87
		mm 165	267	327
	F	in 5.31	4.92	9.84
		mm 135	125	250
G	in 0.37	0.43	0.55	
	mm 9.5	11	14	
H	in 2.95	4.53	5.75	
	mm 75	115	146	
J	in 1.97	2.36	2.76	
	mm 50	60	70	
K	in 7.72	6.5	7.72	
	mm 196	165	196	
L	in 12.6	9.84	12.6	
	mm 320	250	320	

\*Note: Model CMA 440 - crank drives drum directly only

Jeamar manufactures heavy duty winches for virtually any application. Thirteen different models are available in a wide range of sizes. Load activated brakes are standard on all models and sizes.