

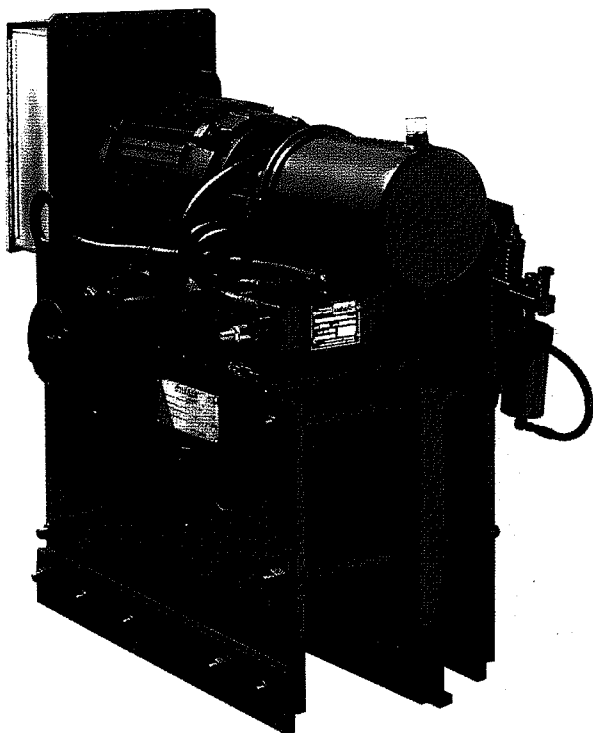


1074 Kenran Industrial Dr.
St. Louis, MO 63137
Phone: 1-800-381-9968

HUMCO DECK FITTINGS

Nabrico Hydra-Electric Winches

Hydra-Electric Winches



FEATURES

- Manufactured in 10, 20, 40, and 60 ton holding capacities
- Pilot house and/or deck push button control
- Self contained electric hydraulic package (Quick Installation)
- Run electric wire to source, no piping required
- Automatic brake, spring loaded, noiseless can be released for hand operation
- Simple instant reversing by hydraulics
- Standard C Face, 1750 RPM enclosed electric motor
- Mechanical holding dog for emergency use (Positive)
- Machine cut gears, more efficient
- Ball bearings on high speed shaft and large brass bushings with grease fittings on all other shafts for long life and dependable service
- Cable guard prevents cable damage from gears
- Conserves deck space
- Wider drum on request
- Quiet operation
- Provisions for emergency operation (By Hand)

The NABRICO hydra-electric winch, regardless of its capacity, gives you a choice of power, speed and control. Plus every NABRICO hydra-electric winch uses a standard TEFC 1750 electric motor.

MODEL	MOUNT	(DOG) HOLDING BRAKE (1) S. TONS	LINE PULL			LINESPEED AT DRUM SURFACE NO LOAD FPM	H.E. GEAR RATIO	MANUAL GEAR RATIO
			HYDRA-ELECTRIC RATED (2)	MAX	HANDWHEEL ONE MAN			
			LB.	LB.	LB.			
10-6HE	RIGHT OR LEFT	10	2,272 at 830 PSI	3,150 at 1,119 PSI	7,000	23.5	29.25:1	5.57:1
20-7HE	RIGHT OR LEFT	20	9,382 at 1,136 PSI	11,700 at 1,381 PSI	14,000	17.2	92.86:1	18.57:1
40-11HE	RIGHT OR LEFT	40	17,213 at 1,695 PSI	18,000 at 1,797 PSI	15,000	12.8	92.86:1	18.57:1
60-11HE	RIGHT OR LEFT	60	31,771 at 1,996 PSI	33,480 at 2,105 PSI	24,000	9.9	132.20:1	27.0:1

Remote control push button station - P/N 73172

Humco does not offer any warranty on NABRICO Products. The standard warranty offer by NABRICO is the only warranty extended to the purchaser of NABRICO Products.



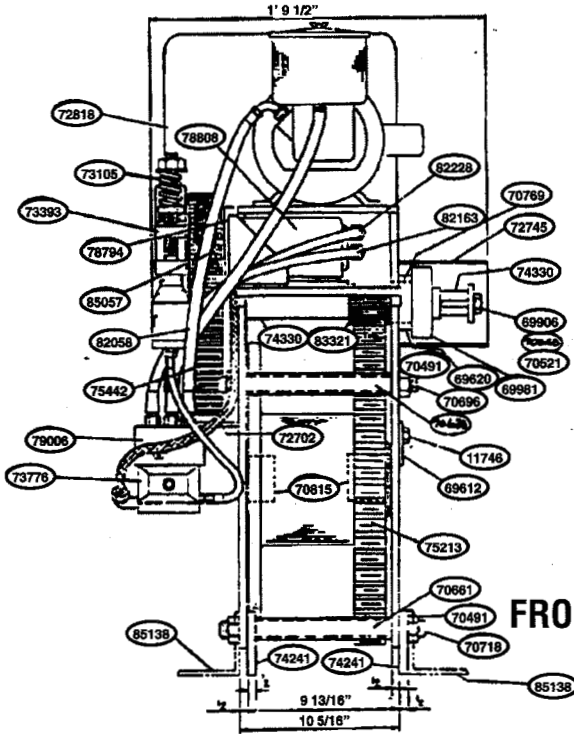
1074 Kenran Industrial Dr.
St. Louis, MO 63137
Phone: 1-800-381-9968

HUMCO DECK FITTINGS

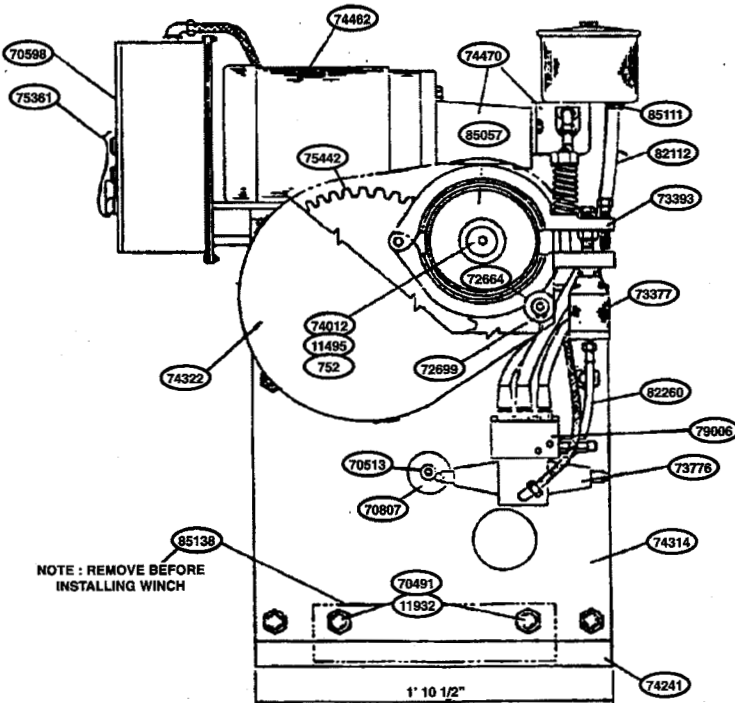
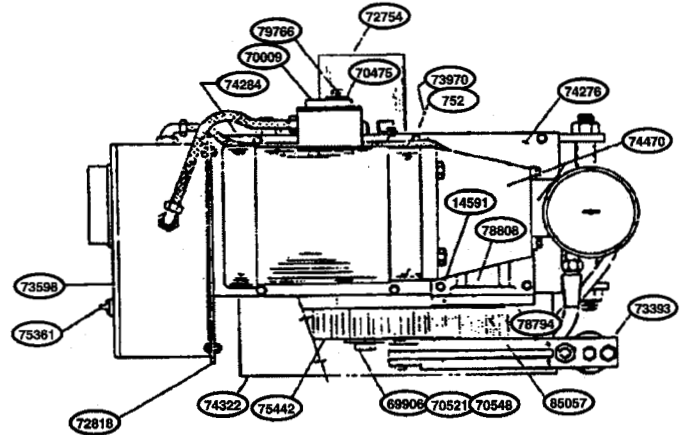
Nabrico 10 Ton Hydra-Electric Winch



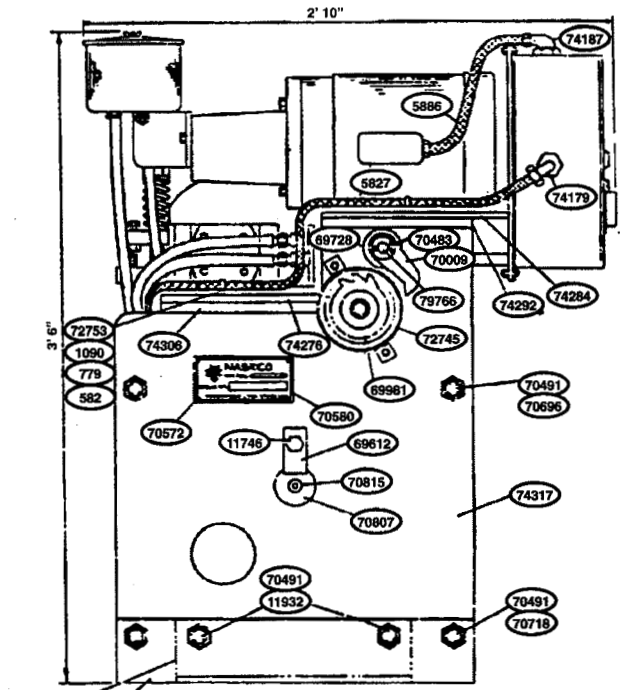
10 Ton Hydra-Electric Winch



FRONT ELEVATION



RIGHT SIDE ELEVATION



LEFT SIDE ELEVATION

NOTE: REMOVE BEFORE INSTALLING WINCH

Always read, understand and follow NABRICO'S published installation, operation and maintenance manuals.



1074 Kenran Industrial Dr.
St. Louis, MO 63137
Phone: 1-800-381-9968

HUMCO DECK FITTINGS

Nabrico 10 Ton Hydra-Electric Winch Parts List

10 Ton Hydra-Electric Winch Parts List



PART NO.	QTY	DESCRIPTION	PART NO.	QTY	DESCRIPTION
582	7	1/4" HEX NUT	79776	1	LOCKING PAWL PIN
752	16	3/8" LOCK WASHER	82058	1	HOSE ASSEMBLY 10LP
779	3	1/4" LOCK WASHER	82112	1	HOSE ASSEMBLY 10RLT
1090	3	1/4" X 3/4" LG. ROUND HEAD CAP SCREW	82163	1	HOSE ASSEMBLY 10LA
5827	9	LIN. FT. TSGA-3 MARINE CABLE	82228	1	HOSE ASSEMBLY 10LB
5886	4 1/2	LIN. FT. TTIB-10-N MARINE CABLE	82260	1	HOSE ASSEMBLY 10RLBL
9865	2	1/8" PTF ALEMITE FITTING #1610BL	82309	1	FITTING KIT
11495	1	3/8" X 2" LG. HEX HEAD MACHINE BOLT	85057	1	MOTOR PINION & BRAKE DRUM ASSEMBLY
11746	1	5/8" X 1" LG. HEX HEAD MACHINE BOLT	85111	1	1" HOSE CLAMP
11932	4	7/8" X 2" LG. HEX HEAD MACHINE BOLT	85138	2	BASE BAR SUPPORT BRACKET
14591	8	1/2" X 1 1/2" LG. HEX HEAD MACHINE BOLT			
69612	1	KEEPER PLATE	PART NO.	QTY	DESCRIPTION
69620	2	BEARING RETAINER	72826	1	GEAR GUARD ASSEMBLY
69728	1	LOCKING PAWL SPACER	89066	1	HOSE ASSEMBLY 10PP
69884	1	DRIVE PINION	82112	1	HOSE ASSEMBLY 10RLT
69906	2	WASHER	82171	1	HOSE ASSEMBLY 10PA
69981	1	LOCKING GEAR	82236	1	HOSE ASSEMBLY 10RB
70009	1	LOCKING PAWL	82260	1	HOSE ASSEMBLY 10RLBL
70475	1	5/8" FLAT WASHER	82309	1	FITTING KIT
70483	1	1/8" X 1" LG. COTTER PIN	PART	QTY	DESCRIPTION
70491	12	7/8" HEX NUT	22022	1	STARTER (IN CONTROL BOX)
70505	2	1/4" ALEMITE FITTING #1652B	69349	1	KEY W/75442
70513	2	1/8" PTF ALEMITE FITTING	69833	1	KEY W/70793
70521	2	1/2" X 1" LG. HEX HEAD MACHINE BOLT	69868	1	KEY W/69981
70548	10	1/2" LOCK WASHER	69876	1	KEY W/69884
70572	4	#6 X 5/16" LG. DRIVE SCREW	70564	1	RETAINER RING W/73393
70580	1	NAME PLATE	70793	1	HANDWHEEL ASSEMBLY
70661	2	PIPE SEPARATOR	70912	1	CABLE CLAMP
70688	2	PIPE SEPARATOR	73008	1	UPPER BAND W/73393
70696	2	PIPE SEPARATOR ROD	73016	1	LOWER BAND W/73393
70769	2	DRIVE SHAFT BEARINGS	73040	1	BRAKE LINING W/73393
70807	1	DRUM SHAFT	73059	12	BRASS RIVET W/73393
70815	2	DRUM SHAFT BEARINGS	74349	1	KEY W/75442
72664	1	BRAKE POST ASSEMBLY	75353	3	C-H HEATER (IN CONTROL BOX).
72699	1	RETAINER RING			
72702	1	4-WAY VALVE MOUNTING PLATE			
72745	1	DRIVE SHAFT GUARD ASSEMBLY			
72753	3	STAND OFF BRACKET			
72818	1	CONTROLLER MOUNTING PLATE			
74322	1	GEAR GUARD ASSEMBLY			
73105	1	WINCH BRAKE SPRING			
73377	1	HYDRAULIC WINCH BRAKE CYLINDER			
73393	1	HYDRAULIC WINCH BRAKE ASSEMBLY			
73598	1	C-H TRANSFORMER BOX			
73776	1	4-WAY VALVE			
73970	6	3/8" X 1 1/4" HEX HEAD CAP SCREW			
74012	1	WASHER			
74179	2	1/2" LIQUID TIGHT FITTING			
74187	2	3/4" LIQUID TIGHT FITTING			
74241	1	BASE BAR			
74268	1	BASE BAR			
74276	1	HYDRAULIC MOTOR BASE PLATE			
74284	1	ELECTRIC MOTOR BASE PLATE			
74292	2	UPPER CAP BAR			
74306	2	LOWER CAP BAR			
74314	2	SIDE PLATE			
74330	1	DRIVE SHAFT			
74462	1	LINCOLN ELECTRIC MOTOR 3 HP			
74470	1	POWER PACK ASSEMBLY			
75213	1	DRUM ASSEMBLY			
75361	1	COMPLETE PUSH BUTTON ASSEMBLY			
75442	1	DRIVE GEAR			
78794	1	HYDRAULIC MOTOR BRACKET			
78808	1	HYDRAULIC MOTOR			
79006	1	MODULAR ALUMINUM SUB-PLATE			

Complete Winch owner's manuals, including operation and maintenance information, are available upon request.



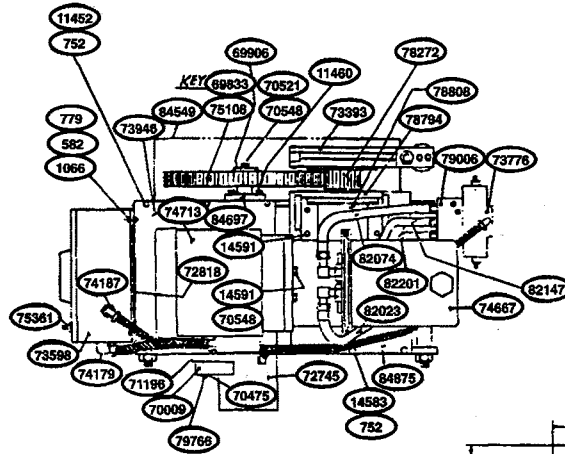
1074 Kenran Industrial Dr.
St. Louis, MO 63137
Phone: 1-800-381-9968

HUMCO DECK FITTINGS

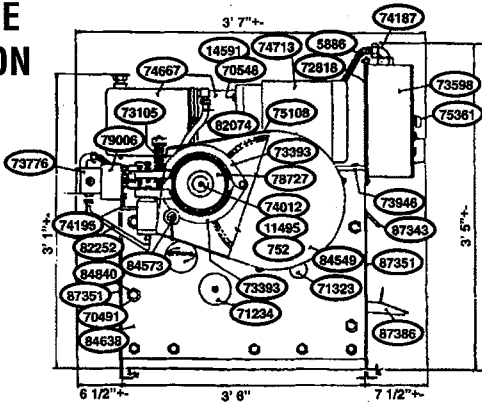
Nabrico 20 Ton Hydra-Electric Winch



20 Ton Hydra-Electric Winch

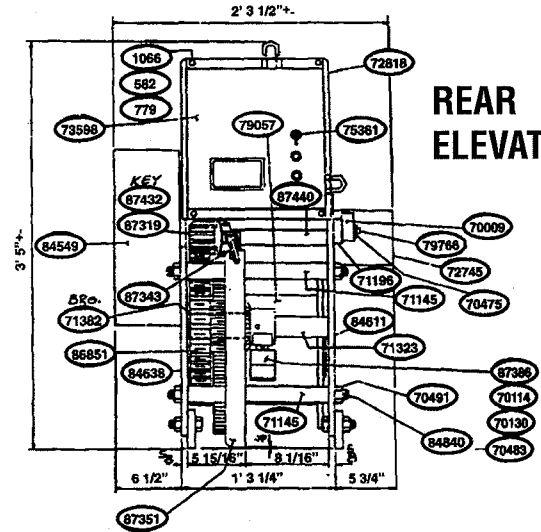


LEFT SIDE ELEVATION



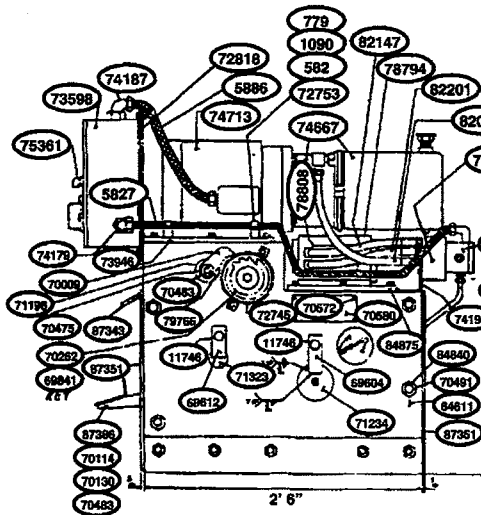
PLAN

REAR ELEVATION

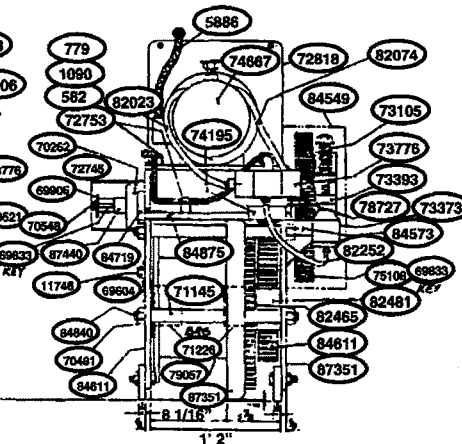


11

RIGHT SIDE ELEVATION



FRONT ELEVATION



Always read, understand and follow NABRICO'S published installation, operation and maintenance manuals.



1074 Kenran Industrial Dr.
St. Louis, MO 63137
Phone: 1-800-381-9968

HUMCO DECK FITTINGS

Nabrico 20 Ton Hydra-Electric Winch Parts List

20 Ton Hydra-Electric Winch Parts List



PART	QTY	DESCRIPTION	PART	QTY	DESCRIPTION
582	7	1/4" HEX NUT	74195	1	4-WAY VALVE MOUNTING ANGLE
752	17	3/8" STANDARD LOCK WASHER	74667	1	POWER PACK ASSEMBLY
779	14	1/4" STANDARD LOCK WASHER	74713	1	LINCOLN 7 1/2 H. P. MOTOR
1066	4	1/4" 0 X 3/4" LG. HEX HEAD CAP SCREW	75108	1	DRIVE GEAR
1090	3	1/4" 0 X 3/4" LG. ROUND HEAD MACHINE SCREW	75361	1	C. H. PUSH BUTTON STATION
5827	1	9 LIN. FT. TSGA-3 MARINE CABLE	78727	1	MOTOR PINION GEAR - 16 TEETH
5886	1	6 LIN. FT. TTIB-10-N MARINE CABLE	78794	1	HYDRAULIC MOTOR BRACKET
11452	6	3/8" 0 X 1 1/4" LG. HEX HEAD MACHINE BOLT	78808	1	HYDRAULIC MOTOR
11460	8	3/8" 0 X 1 3/4" LG. HEX HEAD MACHINE BOLT	79006	1	ALUMINUM SUB-PLATE FOR RELIEF VALVE
11495	1	3/8" 0 X 2 1/4" LG. HEX HEAD MACHINE BOLT	79766	1	LOCKING PAWL PIN
11746	2	5/8" 0 X 1" LG. HEX HEAD MACHINE BOLT	82023	1	HOSE ASSEMBLY 20RP (RIGHT HAND)
14583	3	3/8" 0 X 1 1/2" LG. HEX HEAD MACHINE BOLT	82074	1	HOSE ASSEMBLY 20RT (RIGHT HAND)
14591	8	1 1/2" 0 X 1 1/2" LG. HEX HEAD MACHINE BOLT	82147	1	HOSE ASSEMBLY 20RA (RIGHT HAND)
69604	1	KEEPER PLATE	82201	1	HOSE ASSEMBLY 20RB (RIGHT HAND)
69612	1	KEEPER PLATE	82252	2	HOSE ASSEMBLY 20RLBL (RIGHT HAND & LEFT HAND)
69833	2	KEY	79057	1	DRUM ASSEMBLY
69841	1	KEY	82465	1	WASHER
69906	2	WASHER	82481	1	PIPE SPACER
70009	1	LOCKING PAWL	84549	1	GEAR GUARD ASSEMBLY (RIGHT HAND)
70114	1	BRAKE SHOE PIN	84573	1	HYDRAULIC BRAKE STUB POST ASSEMBLY
70130	1	BRAKE MOUNTING BRACKET PIN	84611	1	RIGHT SIDE PLATE ASSEMBLY
70262	1	LOCKING GEAR	84638	1	LEFT SIDE PLATE ASSEMBLY
70475	1	5/8" SAE FLAT WASHER	84697	2	SEALMASTER BALL BEARING
70483	2	1/8" 0 X 1" LG. COTTER PIN	84719	1	DRIVE SHAFT SPACER
70491	8	7/8" HEX NUT	84840	4	PIPE SEPARATOR ROD
70521	2	1/2" 0 X 1" LG. HEX HEAD MACHINE BOLT	84875	1	HYDRAULIC MOTOR BASE PLATE
70548	12	1/2" STANDARD LOCK WASHER	86851	1	DRIVE GEAR & PINION ASSEMBLY W/BRAKE DRUM
70572	4	#6 X 5/16" LG. DRIVE SCREW	87319	1	DRIVE PINION HUB ASSEMBLY
70580	1	NAME PLATE	87343	1	YOKE ASSEMBLY
71145	4	PIPE SEPARATOR	87351	1	CABLE GUARD PLATE (RIGHT HAND)
71196	1	LOCKING PAWL SPACER	87386	1	FOOT BRAKE ASSEMBLY
71226	2	BEARING	87416	1	INTERMEDIATE SHAFT BRAKE DRUM
71234	1	DRUM GEAR SHAFT	87432	1	KEY
71323	1	INTERMEDIATE SHAFT	87440	1	DRIVE SHAFT
71382	1	BEARING	-	3	JIFFY 125 CABLE CLAMPS (PROVIDED BY ELECTRIC SHOP)
72745	1	DRIVE SHAFT GUARD ASSEMBLY			
72753	3	STAND OFF BRACKET			
72818	1	CONTROLLER MOUNTING PLATE			
73105	1	BRAKE ASSEMBLY SPRING			
73393	1	HYDRAULIC WINCH BRAKE ASSEMBLY			
73598	1	C. H. TRANSFORMER BOX			
73776	1	PARKER HANNIFIN 4-WAY VALVE			
73946	1	ELECTRIC MOTOR PUMP BASE PLATE			
74012	1	WASHER			
74179	1	MYERS FITTING 1/2" NO. ST1			
74187	1	MYERS FITTING 3/4" NO. ST2			

PARTS FOR LEFT HAND WINCH		
PART	QTY	DESCRIPTION
82031	1	HOSE ASSEMBLY 20LP
82104	1	HOSE ASSEMBLY 20LT
82155	2	HOSE ASSEMBLY 20LAB
84530	1	GEAR GUARD ASSEMBLY
87483	1	CABLE GUARD PLATE

Complete Winch owner's manuals, including operation and maintenance information, are available upon request.

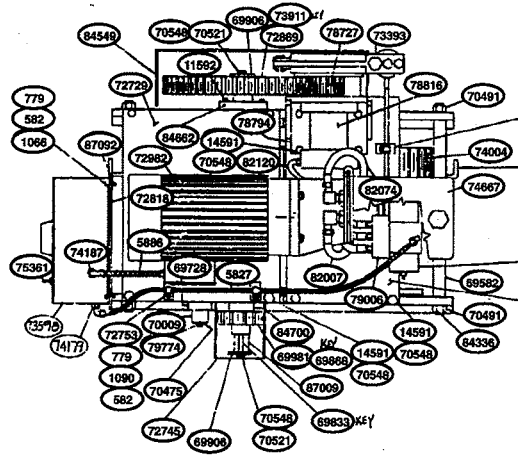


1074 Kenran Industrial Dr.
St. Louis, MO 63137
Phone: 1-800-381-9968

HUMCO DECK FITTINGS

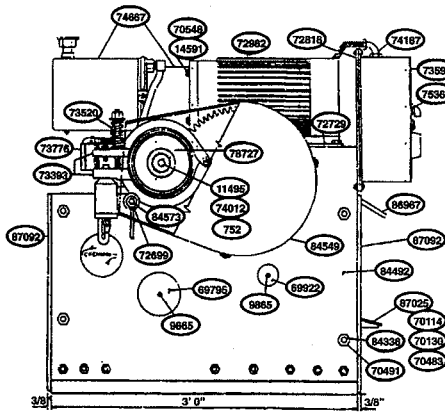
Nabrigo 40 Ton Hydra-Electric Winch

40 Ton Hydra-Electric Winch

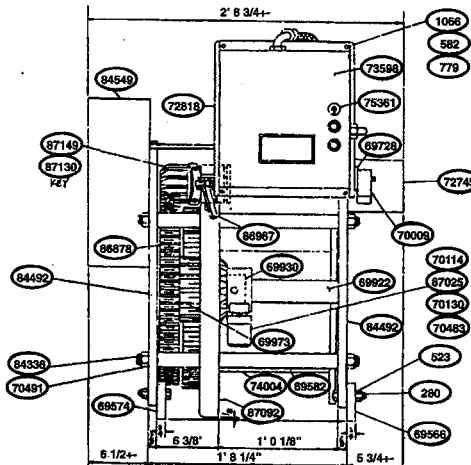


PLAN

LEFT SIDE ELEVATION

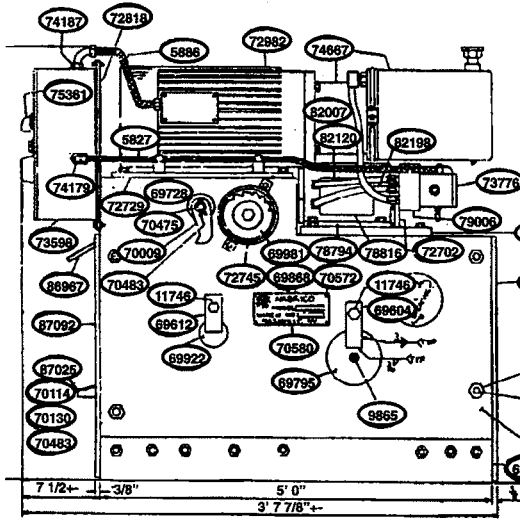


REAR ELEVATION

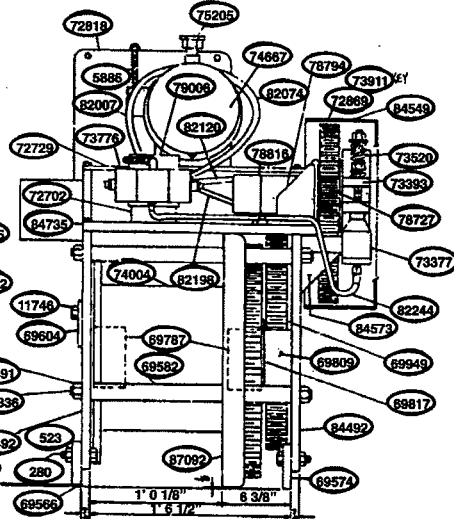


11

RIGHT SIDE ELEVATION



FRONT ELEVATION



Always read, understand and follow NABRICO'S published installation, operation and maintenance manuals.



1074 Kenran Industrial Dr.
St. Louis, MO 63137
Phone: 1-800-381-9968

HUMCO DECK FITTINGS

Nabrico 40 Ton Hydra-Electric Winch Parts List

40 Ton Hydra-Electric Winch Parts List



PART	QTY	DESCRIPTION	PART	QTY	DESCRIPTION
280	16	3/4" X 2 1/2" LG. HEX HEAD MACHINE BOLT	73598	1	TRANSFORMER BOX
523	16	3/4" HEX NUT	73776	1	4-WAY VALVE
582	7	1/4" HEX NUT	73911	1	KEY W/87009 & 72869
752	1	3/8" LOCK WASHER	74004	1	DRUM ASSEMBLY
779	7	1/4" LOCK WASHER	74012	1	WASHER
1066	4	1/4" X 3/4" LG. HEX HEAD CAP SCREW	74179	1	1/2" CABLE FITTING
1090	3	1/4" X 3/4" LG. ROUND HEAD CAP SCREW	74187	1	3/4" CABLE FITTING
5827	9	LIN. FT. TSGA-3 MARINE CABLE	74667	1	POWER PACK ASSEMBLY
5886	6	LIN. FT. TTIB-10-N MARINE CABLE	75205	1	VENT CAP
9865	3	1/8" PTF ALEMITE FITTING	75361	1	PUSHBUTTON STATION
11495	1	3/8" X 2 1/4" LG. HEX HEAD MACHINE BOLT	78727	1	MOTOR PINION W/BRAKE DRUM
11592	8	1/2" X 2" LG. HEX HEAD MACHINE BOLT	78794	1	HYDRAULIC MOTOR BRACKET
11746	2	5/8" X 1" LG. HEX HEAD MACHINE BOLT	78816	1	HYDRAULIC MOTOR
14591	16	1/2" X 1 1/2" LG. HEX HEAD MACHINE BOLT	79006	1	MODULAR ALUMINUM SUB-PLATE
69566	1	BASE BAR	79774	1	LOCKING PAWL PIN
69574	1	BASE BAR	82007	1	HOSE ASSEMBLY 40RP
69582	4	PIPE SEPARATOR	82074	1	HOSE ASSEMBLY 40RT
69604	1	KEEPER PLATE	82120	1	HOSE ASSEMBLY 40RA
69612	1	KEEPER PLATE	82198	1	HOSE ASSEMBLY 40RB
69728	1	LOCKING PAWL SPACER	82244	1	HOSE ASSEMBLY 40RLB
69787	2	DRUM GEAR BEARING	84336	4	PIPE SEPARATOR ROD
69795	1	DRUM SHAFT	84492	2	SIDE PLATE
69809	1	PIPE SPACER	84549	1	GEAR GUARD ASSEMBLY
69833	1	KEY W/87009 & 70335	84573	1	BRAKE STUB POST ASSEMBLY
69868	1	KEY W/87009 & 69981	84622	2	SEALMASTER SFC-32 BALL BEARING
69906	2	WASHER	84700	1	DRIVE SHAFT SPACER
69922	1	INTERMEDIATE SHAFT	84735	1	HYDRAULIC MOTOR BASE PLATE
69930	1	INTERMEDIATE SHAFT COLLAR	86878	1	DRIVE GEAR & PINION ASSEMBLY W/BRAKE DRUM - 78 TEETH
69973	1	DRIVE GEAR PINION BEARING	86967	1	YOKE ASSEMBLY
69981	1	LOCKING GEAR	87009	1	DRIVE SHAFT
70009	1	LOCKING PAWL	87025	1	FOOT BRAKE ASSEMBLY
70014	1	BRAKE SHOE PIN	87092	1	CABLE GUARD PLATE
70130	1	BRAKE MOUNTING BRACKET PIN	87130	1	KEY W/87149
70475	1	FLAT WASHER	87149	1	DRIVE PINIO
70483	3	1/8" X 1" LG. COTTER PIN	PARTS NOT SHOWN		
70491	8	7/8" HEX NUT			
70521	2	1/2" X 1" LG. HEX HEAD MACHINE BOLT	PART	QTY	DESCRIPTION
70548	20	1/2" LOCK WASHER	20222	1	STARTER (TRANSFORMER BOX)
70572	4	#6 X 5/16" LG. DRIVE SCREW	70335	1	HANDWHEEL ASSEMBLY
70580	1	NAME PLATE	73725	3	HEATER (TRANSFORMER BOX)
72699	1	RETAINER RING	78913	2	LIFTING LUG
72702	1	4-WAY VALVE MOUNTING PLATE	82295	1	FITTING KIT
72729	1	ELECTRIC MOTOR BASE PLATE	85073	1	DRIVE SHAFT PINION SPACER FOR LEFT HAND WINCH
72745	1	DRIVE SHAFT GUARD	82015	1	HOSE ASSEMBLY 40LP
72753	3	STAND OFF BRACKET	82082	1	HOSE ASSEMBLY 40LT
72818	1	PUSHBUTTON & CONTROLLER PLATE	82139	2	HOSE ASSEMBLY 40LAB
72869	1	DRIVE GEAR	84530	1	GEAR GUARD ASSEMBLY
72982	1	TEFC ELECTRIC MOTOR 10 HP	86908	1	YOKE ASSEMBLY
73377	1	BRAKE CYLINDER	87181	1	CABLE GUARD PLATE
73393	1	HYDRAULIC WINCH BRAKE ASSEMBLY			
73520	1	BRAKE SPRING			

Complete Winch owner's manuals, including operation and maintenance information, are available upon request.



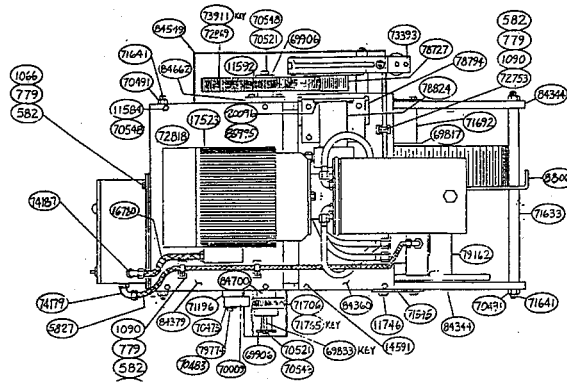
1074 Kenran Industrial Dr.
St. Louis, MO 63137
Phone: 1-800-381-9968

HUMCO DECK FITTINGS

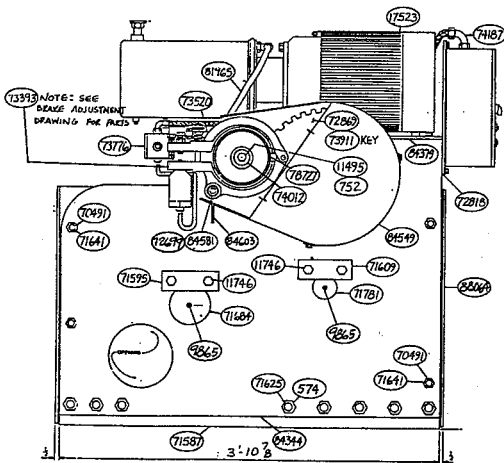
Nabrico 60 Ton Hydra-Electric Basic Winch



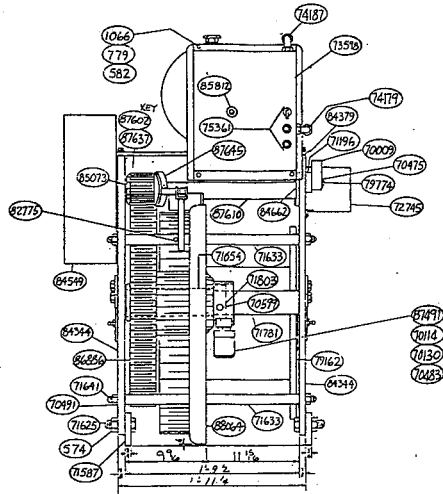
60 Ton Hydra-Electric Basic Winch



LEFT SIDE ELEVATION

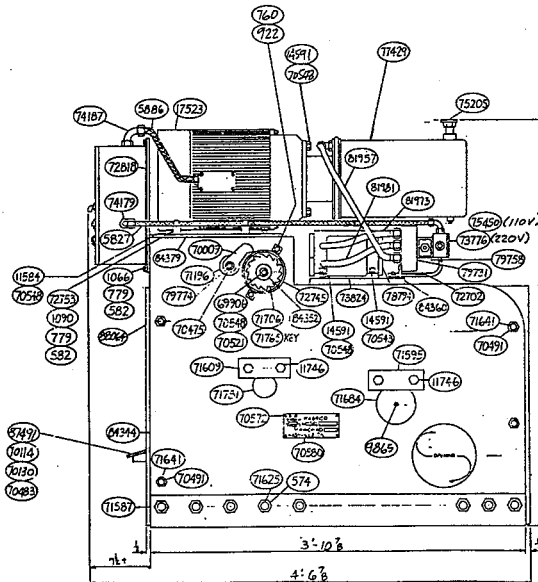


REAR ELEVATION

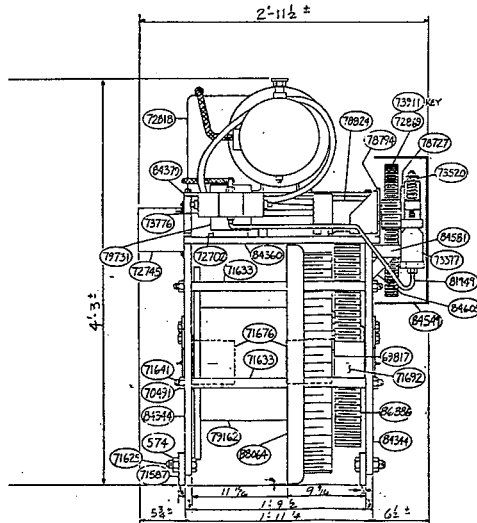


11

RIGHT SIDE ELEVATION



FRONT ELEVATION





1074 Kenran Industrial Dr.
St. Louis, MO 63137
Phone: 1-800-381-9968

HUMCO DECK FITTINGS

Nabrigo 60 Ton Hydra-Electric Basic Winch Parts

60 Ton Hydra-Electric Basic Winch



PART NO.	DESCRIPTION
9865	ALEMITE GREASE FITTING 1/8"
11495	3/8" - 16UNC X 2-1/4" HHMB
11592	1/2" - 13UNC X 2" HHMB
11746	5/8" - 11 UNC X 1" HHMB
69817	DRUM WASHER
69833	KEY-3/8X1-3/4
69906	2-1/2 X 9/16 X 5/16 WASHE
70009	LOCKING PAWL (OLD STYLE)
70130	CLEVIS PIN(BRAKE & HATCH)
70475	5/8" SAE FLAT WASHER (LPAWL)
70483	1/8"X1" COTTER PIN
70491	7/8" - 9 HEX NUT
70521	1/2" -13 UNC X 1" HHMB S.S.
70548	1/2" LOCKWASHER
70564	RETAINER RING
70580	NABRIGO WI NAMEPLATES
70599	SET SCREW 5/8 - 11 X 5/8" LG
71196	LOCKING PAWL SPACER
71676	DRUM BEARING, 60T
71781	INTERMEDIATE SHAFT
71684	DRUM SHAFT - 11"
71692	PIPE SPACER FOR 60 TON MAN.
71706	R.H. LOCKING GEAR, 60T
71714	L.H. LOCKING GEAR, 60T
71854	BRONZE BUSHING FOR INTERMEDIATE GEAR ASSY
72001	1-1/8" CABLE CLAMP
72699	RETAINER RING FOR DF-156
72745	DRIVE SHAFT GUARD ASSY.
72869	DRIVE GEAR
72870	DRIVE GEAR HEAT TREATED
73024	1/2" HEX NUT
73032	FLAT WASHER 1/2"
73040	BRAKE LINING
73059	1/4" X 5/8" BRASS RIVETS/BRAKE LINING
73067	5/8" X 2-1/4" HEX HEAD CAP SCREW
73083	5/8" X 2-3/4" HEX HEAD CAP SCREW
73091	1/2" X 7-1/2", D.E. STUD
73113	BRAKE HINGE PIN (HE BRAKE)
73377	AL HYD BRAKE CYLINDER
73393	COMPLETE BRAKE ASSY, LESS (SPRING & CYLINDER)
73520	BRAKE ASSY, SPRING, 40/60T
73547	5/8" HEX NUT, ZINC PLATED
73911	KEY - 1/2 X 1-3/4 (DRIVE GEAR)
74012	WASHER 2" OD X 3/16 X 7/16H
78727	16T, MOTOR PINION, W/ BRAKE DRUM 20TON
78794	HYDRAULIC MOTOR BRACKET
78824	HYDRAULIC MOTOR 60T

PART NO.	DESCRIPTION
79162	60 TON DRUM W/BUSHING
79235	60 TON DRUM BEARING HOUSING
79634	YSS516 PINION
79774	LOCKING PAWL PIN, 40 TON
82775	JAW CLUTCH HANDLE STOP
84530	GEAR GUARD FOR LH HE WINCH
84549	GEAR GUARD FOR RH HE WINCH
84573	BRAKE STUB POST ASSY
84581	BRAKE STUB POST
84603	BRAKE POST BRACKET
84662	BALL BEARINGS FOR DRIVE SHAFT
84700	DRIVE SHAFT SPACER 40 TON BB
85073	DRIVE SHAFT PINION SPACER 40 TON
85995	1/2" X 1-1/2" S.H. CAP SCREW
86886	INT GEAR ASSY, W/BSHG & BD 60T
87491	FOOT BRAKE ASSY 60T
87602	DRIVE PINION KEY
87610	60T, DRIVE SHAFT, FW
87637	DRIVE PINION HUB ASSY.
87645	YOKE ASSY



1074 Kenran Industrial Dr.
St. Louis, MO 63137
Phone: 1-800-381-9968

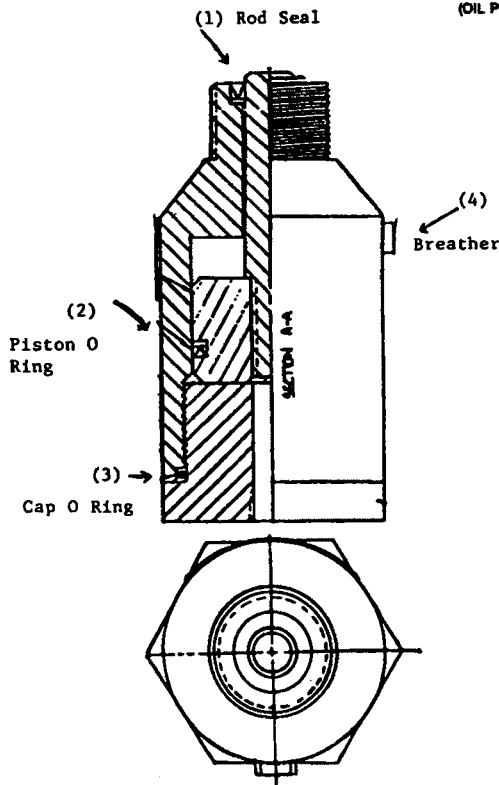
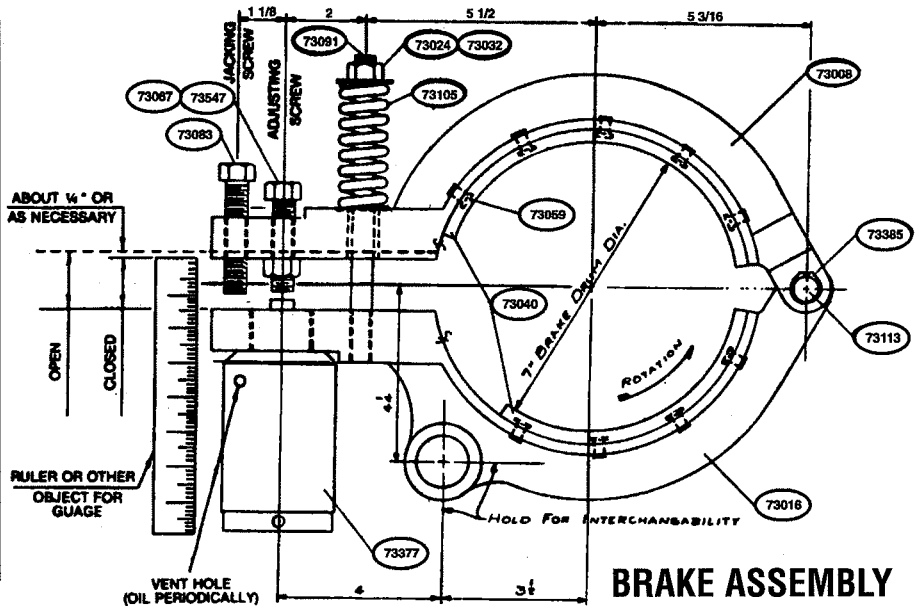
HUMCO DECK FITTINGS

Nabrco Hydraulic Brake Assembly



Hydraulic Brake Assembly Part No. 73393

LIST OF MATERIALS		
PART	QTY	DESCRIPTION
73008	1	Upper Band (Mn. Brz.)
73016	1	Lower Band (Mn. Brz.)
73024	1	1/2" O Hex Nut
73032	1	1" O Flat Washer
73040	1 Set	Brake Lining
73059	18	1/4" O x 5/8" Lg. Brass Rivet
73067	1	5/8" O x 2 1/2" Lg. Cap Screw
73083	1	5/8" O x 2 3/4" Lg. Cap Screw
73091	1	1/2" O x 7 1/2" Lg. Stud
73105	1	Brake Spring 10/20 Ton
73113	1	Brake Hinge Pin
73377	1	Hyd. Cylinder Assembly
73385	2	Industrial Retaining Ring
73547	1	5/8" O Hex Nut
73520	1	Brake Spring 40/60 Ton



Brake Cylinder Part No. 73377

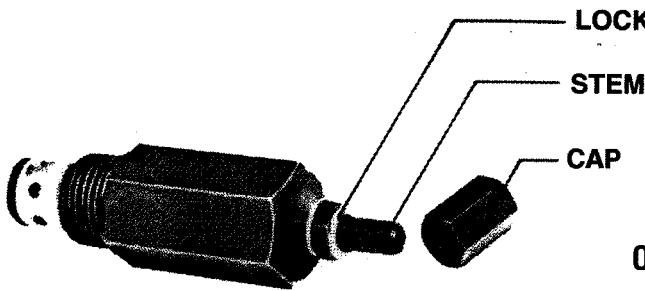
	CYLINDER	QTY. REQ.	DESCRIPTION
	Part No.		
1	20915	1	Rod Seal
2	20923	2	Piston O Ring
3	20931	1	Cap O Ring
4	21059	1	Breather



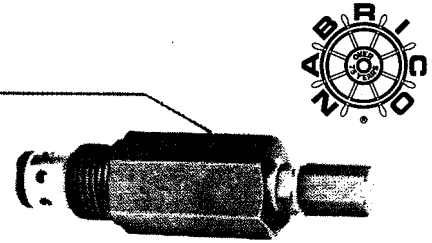
1074 Kenran Industrial Dr.
St. Louis, MO 63137
Phone: 1-800-381-9968

HUMCO DECK FITTINGS

Nabrigo Relief Valve Adjustment & Power Pak Assembly



DELTA POWER RELIEF VALVE
(MOUNTED IN SUBPLATE FOR DIRECTIONAL CONTROL VALVE)



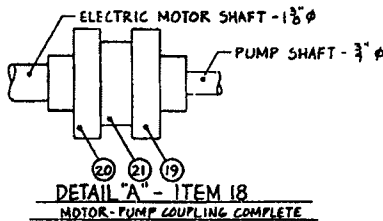
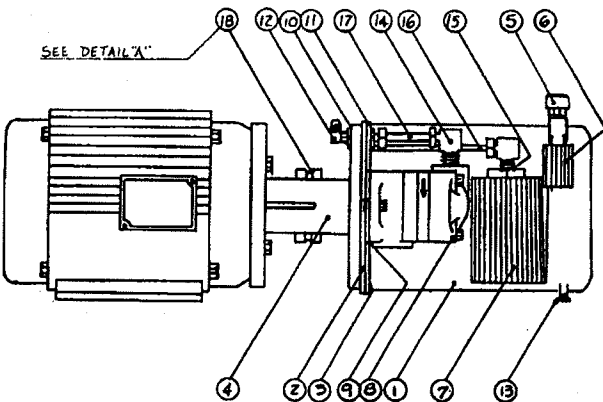
OPERATION

Standard NABRICO winches are equipped with one control station which is mounted on the winch. The start button starts the electric motor and the stop button stops the motor. The spring centered rotary switch above the pushbuttons activates the solenoid controlled hydraulic valve which allows the cable to be hoisted in or payed out.

To hoist in cable, push the start button; rotate the tope switch to the "in" position and hold until the desired tension is reached. To pay out cable, rotate the top switch to "out" and hold until the desired amount of cable has been unreeled. An optional remote control station can also be provided with the same controls as those mounted on the winch. When the remote station is provided, an optional remote-local switch can be added to the winch control station so that only one station at a time controls the winch.

HYDRAULIC RELIEF VALVE ADJUSTMENT

The hydraulic relief valve is factory set at 1800 psig for 20, 40 and 60 ton holding capacity winches and 1500 psig for 10 ton holding capacity winches. If adjustment is required, disconnect the brake line from the hydraulic brake cylinder (Part Number 73377) and install a pressure gauge in the brake line. Remove the threaded cap and back off the lock nut on the relief valve to increase pressure. Screw out the threaded stem to decrease pressure. Increase setting on the relief valve until the valve begins to relieve at 1800 psig or 1500 psig as required. Tighten lock nut and screw on the threaded cap.



Power Pak Assembly 20 & 40 Ton H.E. Winches Part No. 74667

ITEM	NABRICO PART NO.	QTY	DESCRIPTION
1	20508	1	Tank Modified
2	20516	1	Clamp
3	20524	1	Gasket
4	20532	1	Pump Motor Bracket
5	75205	1	Filler/Breather
6	20540	1	Filler/Filter
7*	20559	1	Return Filter
8	20567	1	Pump Modified
9	20575	1	Pump Face O-Ring
10	20583	2	Bulkhead Fitting O-Ring
11	20591	2	Bulkhead Fitting
12	20605	2	Swivel Fitting
13	20613	1	Plug Fitting
14	20621	2	Elbow Fitting
15	20648	1	Filter Bushing
16	20656	1	Filter Tube 5/8" x .049"
17	20664	1	Pressure Tube 5/8" x .049"
18	20672	1	Motor-Pump Coupling Complete
19	20680	1	Pump Coupling Hub
20	20702	1	Motor Coupling Hub
21	20699	1	Coupling Insert

*When replacing #7 you must also replace #15 and #16.