



1074 Kenran Industrial Dr.  
 St. Louis, MO 63137  
 Phone: 1-800-381-9968

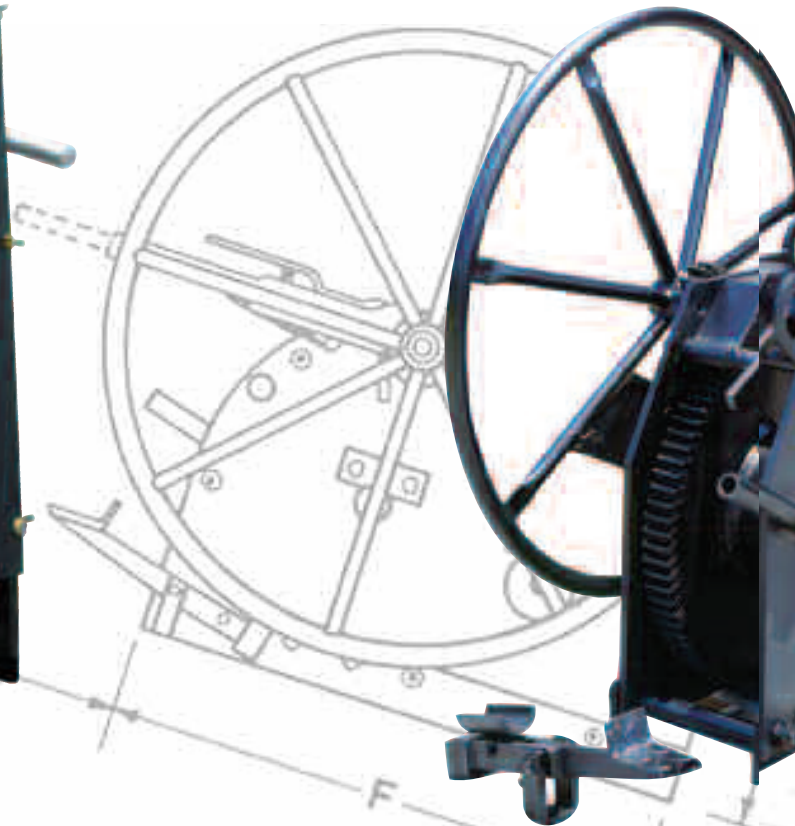
# HUMCO DECK FITTINGS

## Nabrigo Winches

# NABRICO



**DF-3-40**



**DF-156-10**

**11**

**NABRICO** provides the extra hands you need for fast and sure tow make-up and breakdown with a complete line of hand winches in both right and left hand models. Available in 10, 20, 40 and 60 ton holding capacities, there is a **NABRICO** hand winch to meet the particular needs of your job or installation.

Match a **NABRICO** hand winch to your needs and available space and you're ready to go to work. For installation purposes, all dimensions should be verified.

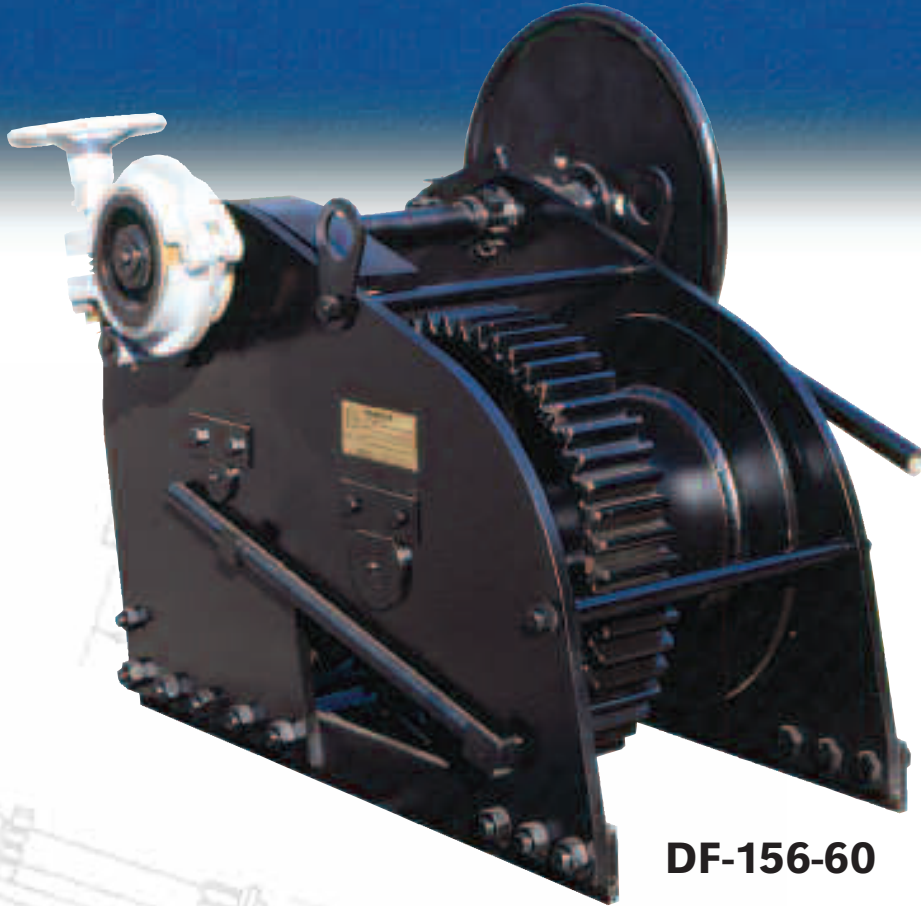


1074 Kenran Industrial Dr.  
St. Louis, MO 63137  
Phone: 1-800-381-9968

# HUMCO DECK FITTINGS

## Nabrico Manual Winches

# MANUAL WINCHES



**DF-156-60**

### Features

- All steel construction.
- Machine cut gears and stainless steel ratchets.
- Bronze bushed bearings.
- Alemite fittings for proper lubrication.
- True right and left hand models for use in pairs.
- Positive no-slip tension.
- Fast cranking with handle.
- Quick release cam action.
- Full load rated hand brake with Stainless Steel braking surface.
- Corrosion-resistant hardware.
- Lever ratchet for extra high tension.
- Blasted and painted, galvanized and other coatings available.

11

MODEL	MOUNT	DOG HOLDING (1)	LINE PULL (1)		GEAR RATIO	DRUM FLANGE DIAM.	DRUM		DRUM CAPACITIES (FT.)								WEIGHT (LBS.)	OVERALL DIMENSIONS			
			HANDWHEEL ONE MAN	RACHET W/ STANDARD EXTENSION ONE MAN			DIAM	WIDTH (2)	CABLE SIZE									WIDTH	HEIGHT	LENGTH	
DF-156		S.T.	LB.	LB.		IN.	IN.	IN.	7/16	1/2	5/8	3/4	7/8	1	1-1/8	1-1/4	1-1/2				
10-6-M	Right/Left	10	5,200	7,000	5.57:1	18	8.625	6.0	353	317	174	129						500	1'77/16"	3'43/4"	4'4"
20-7-M	Right/Left	20	14,000	14,400	18.57:1	16	10.75	7.25	270	186	109	57	39	21				850	2'01/4"	3'35/16"	5'7"
40-11-M	Right/Left	40	14,000	17,800	18.57:1	19	12.75	11.25			287	176	130	84	36	26		1250	2'51/40"	3'6"	6'9"
40-18-M	Right/Left	40	14,000	17,800	18.57:1	19	12.75	18.125			463	279	151	139	58	51		1350	3'01/4"	3'6"	6'9"
60-11-M	Right/Left	60	24,000	28,800	27.0:1	24	14.00	10.625			572	325	262	200	119	111	62	2100	2'87/8"	4'2"	6'8"

For additional information, drawings, and specifications contact Humco.

