



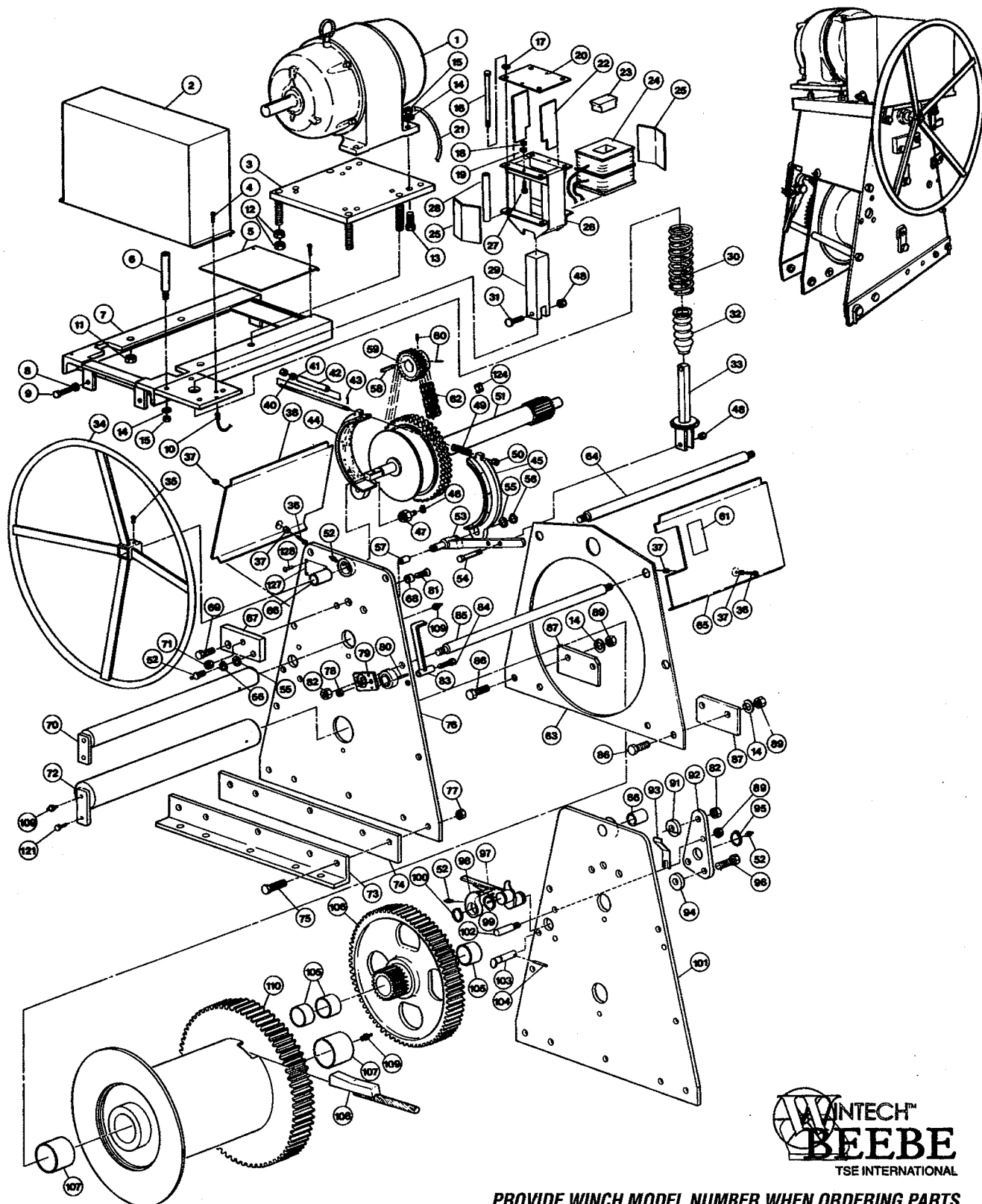
1074 Kenran Industrial Dr.
St. Louis, MO 63137
Phone: 1-800-381-9968

HUMCO DECK FITTINGS

Wintech Beebe 25 Ton 300 Series Barge Winch

25 Ton Beebe Winch, 300 Series Barge Winch

Assembly Drawing Below



PROVIDE WINCH MODEL NUMBER WHEN ORDERING PARTS



1074 Kenran Industrial Dr.
St. Louis, MO 63137
Phone: 1-800-381-9968

HUMCO DECK FITTINGS

Wintech Beebe 300 Series 25 Ton Barge Winch Assembly Parts List



300 Series 25 Ton Barge Winch Assembly Parts List

ITEM NO.	DESCRIPTION	TOTAL QTY	PART NO.					
			301	311	321	331	341	351
1	Motor 5 HP, 1080 rpm	1	50217		—			
	Motor 7.5 HP, 1080 rpm		—	50351	—	50351	—	
	Motor 5 HP, 810 rpm		—	—	51371	—	51371	
2	Brake and Solenoid Cover	1	8622 (Left Hand) or 8621 (Right Hand)					
3	Motor Adapter Plate	1	8384-1					
4	Screw	5	71007009					
5	Motor Base Cover (9 in. Drum)	1	Not Required					
	Motor Base Cover (17 in. Drum)		2959-17					
	Motor Base Cover (34 in. Drum)		2959-34					
	Motor Base Cover (51 in. Drum)		2959-51					
	Motor Base Cover (69 in. Drum)		2959-69					
6	Solenoid Stud	4	435					
7	Motor Base (9 in. Drum)	1	8626-9 (Left Hand) or 8625-9 (Right Hand)					
	Motor Base (17 in. Drum)		8626-17 (Left Hand) or 8625-17 (Right Hand)					
	Motor Base (34 in. Drum)		8626-34 (Left Hand) or 8625-34 (Right Hand)					
	Motor Base (51 in. Drum)		8626-51 (Left Hand) or 8625-51 (Right Hand)					
	Motor Base (69 in. Drum)		8626-69 (Left Hand) or 8625-69 (Right Hand)					
8	Lock Washer	4	50203					
9	Cap Screw	4	51837					
10	Grommet	1	50193					
11	Motor Base Locknut	4	50209					
12	Nut	8	50159					
13	Cap Screw	4	50197					
14	Lock Washer	8	50181					
15	Nut	8	50171					
16	Solenoid Spacer Cap Screw	4	51949					
17	Lock Washer	4	51486					
18	Nut	2	53390					
19	Lock Washer	2	53836					
20	Base Plate	1	7007-G					
21	Connector Cord	1	50213					
22	Guide	2	7007-E					
23	Pole Piece	1	7007-F					
24	Solenoid 220V	1	7007-220					
	Solenoid 440V		7007-440					
	Coil Only 220V		R4318 WP					
	Coil Only 440V		R4317 WP					
25	Guide (Brass)	2	7007-D					
26	Frame	1	7007-C					
27	Cap Screw	2	51939					
28	Solenoid Spacer	4	613					
29	Plunger	1	7007-A					
30	Compression Spring	1	615					
31	Solenoid Link Pin (Upper)	1	4969					
• 32	Bellows Boot	1	3802					
33	Solenoid Connector Link	1	8116					
34	Handwheel	1	1048					
35	Setscrew	1	52857					
36	Screw	2	50156					

• Recommended Spare



1074 Kenran Industrial Dr.
St. Louis, MO 63137
Phone: 1-800-381-9968

HUMCO DECK FITTINGS

Wintech Beebe 300 Series 25 Ton Barge Winch Assembly Parts List

300 Series 25 Ton Barge Winch Assembly Parts List



ITEM NO.	DESCRIPTION	TOTAL QTY	PART NO.					
			301	311	321	331	341	351
37	Gear Guard Nut	4	50161					
38	Gear Guard (9 in. Drum)	1	1051-1L (Left Hand) or 1051-1R (Right Hand)					
	Gear Guard (17 in. Drum)		051-2L (Left Hand) or 1051-2R (Right Hand)					
	Gear Guard (34 in. Drum)		1051-4L (Left Hand) or 1051-4R (Right Hand)					
	Gear Guard (51 in. Drum)		1051-5L (Left Hand) or 1051-5R (Right Hand)					
	Gear Guard (69 in. Drum)		1051-6L (Left Hand) or 1051-6R (Right Hand)					
39	Adjustment Stud	1	1645					
40	Adjustment Nut	1	50170					
41	Washer	1	50177					
42	Adjustment Spacer	1	1646					
43	Cotter Pin	1	51937					
•44	Brake Shoe	1	8123					
•45	Brake Shoe	1	8122					
•46	Brake Shoe Retainer Ring	2	53918					
47	Anchor Eccentric	1	8126					
48	Nut	2	51750					
49	Adjustment Spring	1	1647					
50	Slotted Nut	1	50169					
51	Power Drive Assy. (9 in. Drum)	1	8629-9	8628-9	8629-9		8628-9	
	Power Drive Assy. (17 in. Drum)		8629-17	8628-17	8629-17		8628-17	
	Power Drive Assy. (34 in. Drum)		8629-34	8628-34	8629-34		8628-34	
	Power Drive Assy. (51 in. Drum)		8629-51	8628-51	8629-51		8628-51	
	Power Drive Assy. (69 in. Drum)		8629-69	8628-69	8629-69		8628-69	
52	Grease Fitting	6	51006					
53	Brake Lever	1	8120-1 (Left Hand) or 8120-2 (Right Hand)					
54	Solenoid Link Pin (Lower)	1	4969-1					
55	Brake Lever Washer	2	50166					
56	Brake Lever Retainer Ring	2	50191					
•57	Brake Lever Bushing	1	51406					
58	Key	1	Not sold separately					
59	Motor Sprocket	1	3185		3179	3185	3179	
60	Setscrew	2	53154					
61	Label	1	T25					
62	Roller Chain	1	50220-70	50220-80	50220-70		50220-80	
63	Wire Rope Guard	1	1677					
64	Spacer Shaft (9 in. Drum)	3	678-1					
	Spacer Shaft (17 in. Drum)		678-2					
	Spacer Shaft (34 in. Drum)		678-4					
	Spacer Shaft (51 in. Drum)		678-5					
	Spacer Shaft (69 in. Drum)		678-6					
65	Gear Guard (9 in. Drum)	1	2171-1L (Left Hand) or 2171-1R (Right Hand)					
	Gear Guard (17 in. Drum)		2171-2L (Left Hand) or 2171-2R (Right Hand)					
	Gear Guard (34 in. Drum)		2171-4L (Left Hand) or 2171-4R (Right Hand)					
	Gear Guard (51 in. Drum)		2171-5L (Left Hand) or 2171-5R (Right Hand)					
	Gear Guard (69 in. Drum)		2171-6L (Left Hand) or 2171-6R (Right Hand)					
•66	Power Driving Bushing	2	1293-3					
67	Brake Doubler Plate	1	8623					
68	Plate Locator Bushing	1	8624					
69	Cap Screw Anchor Bolt	1	50208					



1074 Kenran Industrial Dr.
St. Louis, MO 63137
Phone: 1-800-381-9968

HUMCO DECK FITTINGS

Wintech Beebe 300 Series 25 Ton Barge Winch Assembly Parts List



300 Series 25 Ton Barge Winch Assembly Parts List

ITEM NO.	DESCRIPTION	TOTAL QTY	PART NO.					
			301	311	321	331	341	351
70	Cluster Shaft (9 in. Drum)	1	511-1					
	Cluster Shaft (17 in. Drum)		511-2					
	Cluster Shaft (34 in. Drum)		511-4					
	Cluster Shaft (51 in. Drum)		511-5					
	Cluster Shaft (69 in. Drum)		511-6					
71	Nut	1	50211					
72	Drum Shaft (9 in. Drum)	1	512-1					
	Drum Shaft (17 in. Drum)		512-2					
	Drum Shaft (34 in. Drum)		512-4					
	Drum Shaft (51 in. Drum)		512-5					
	Drum Shaft (69 in. Drum)		512-6					
73	Angle Deck Bracket (Optional)	2	513					
74	Deck Bracket (Standard)	2	589					
75	Cap Screw	8	52829					
76	Side Frame	1	8619-2					
77	Deck Bracket Nut	8	50826					
78	Nut	1	50207					
79	Lock Out Bar Bracket	1	1124					
80	Pin	1	53909					
81	Spacer Nut	10	50154					
82	Motor Base Locknut	4	50209					
83	Lock Out Bar	1	1053					
84	Cap Screw	1	50206					
85	Spacer Shaft (9 in. Drum)	1	691-1					
	Spacer Shaft (17 in. Drum)		691-2					
	Spacer Shaft (34 in. Drum)		691-4					
	Spacer Shaft (51 in. Drum)		691-5					
	Spacer Shaft (69 in. Drum)		691-6					
86	Capscrew	4	50183					
87	Cable Guard Desk Bracket	2	1733					
89	Nut	5	50205					
90	Nut	1	50171					
91	Bracket Spacer	1	602-2					
92	Dog Bracket	1	601					
93	Plunger Spring	1	507					
94	Bracket Spacer	1	602-1					
95	Lever Retainer Ring	2	W-137					
96	Cap Screw	1	52829					
97	Dog Lever	1	532 (Left Hand) or 453 (Right Hand)					
98	Dog (Includes item 52)	1	1019A					
99	Dog Spring	1	1011 (Left Hand) or 1010 (Right Hand)					
100	Dog Retainer Ring	2	W-125					
101	Side Frame	1	8619-1					
102	Lever Stop	1	522					
103	Plunger Pin	1	506					
104	Pin	1	52727					
105	Cluster Gear Bushing	3	1293-2					
106	Cluster Gear	1	504					



1074 Kenran Industrial Dr.
St. Louis, MO 63137
Phone: 1-800-381-9968

HUMCO DECK FITTINGS

Wintech Beebe 300 Series 25 Ton Barge Winch Assembly Parts List

300 Series 25 Ton Barge Winch Assembly Parts List



ITEM NO.	DESCRIPTION	TOTAL QTY	PART NO.					
			301	311	321	331	341	351
•107	Drum Bushing	2	1293-1					
108	Wire Rope Wedge 5/8"	1	530					
	Wire Rope Wedge 3/4"		529					
	Wire Rope Wedge 7/8"		528					
	Wire Rope Wedge 1"		527					
109	Grease Fitting	3	53095					
110	Drum Assembly (9 in. Long)	1	7902-A-9					
	Drum Assembly (17 in. Long)		7902-A-17					
	Drum Assembly (34 in. Long)		7902-A-34					
	Drum Assembly (51 in. Long)		7902-A-51					
	Drum Assembly (69 in. Long)		7902-A-69					
121	Cap Screw	2	50160					
127	Nameplate	1	T53					
128	Drive Screw	4	50915					
129	Master Link	1	50329					

•Recommended Spare

Note: The use of motors with non-standard frames (bolt hole sizes) may require that the following optional parts be used to mount the motor.

ITEM NO.	DESCRIPTION	TOTAL QTY	PART NO.
13	Cap Screw	4	50196
14	Lock Washer	4	50200
15	Nut	4	50198

ASSEMBLIES

ITEM NO.	DESCRIPTION	PART NO.					
		301	311	321	331	341	351
150	Dog Assembly (Includes items 90 thru 95, 97, 100, 102, 103 and 104)	521 (Left Hand) or 538 (Right Hand)					
151	Brake Assembly (Includes items 39 thru 50 and 53 thru 56)	8119 (Left Hand) or 8118 (Right Hand)					



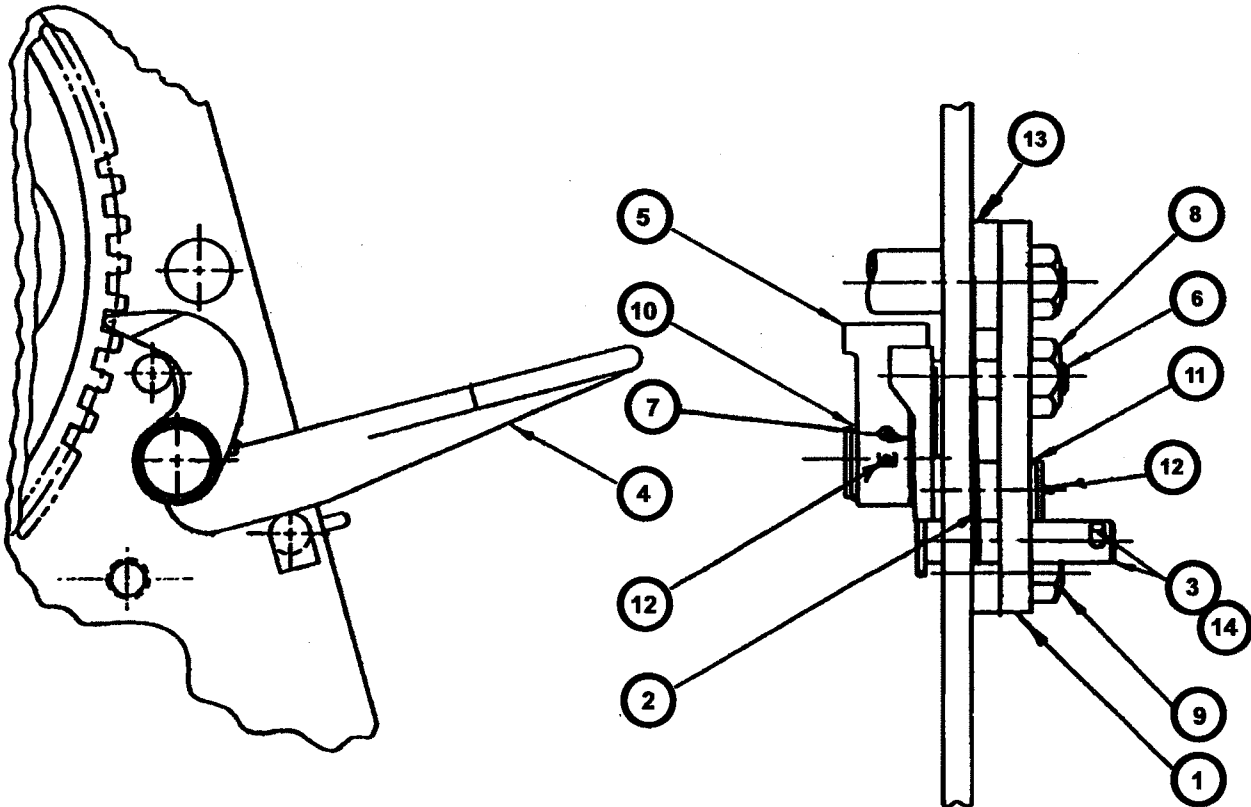
1074 Kenran Industrial Dr.
St. Louis, MO 63137
Phone: 1-800-381-9968

HUMCO DECK FITTINGS

Wintech Beebe 300 Series Left Hand Dog Assembly



Left Hand Dog Assembly Part No. 538 300 Series 25 Ton Barge Winch



ITEM NO.	DESCRIPTION	TOTAL QTY	MODEL/PART NO.						
			301	311	321	331	341	351	
92	Dog Bracket	1				601			
• 93	Plunger Pin Spring	1				507			
103	Plunger Pin	1				506			
97	Dog Release Lever - LH	1				532			
• 98	Dog	1				1019			
102	Lever Stop	1				522			
• 99	Dog Spring - LH	1				1011			
90	Hex Nut	1				50171			
96	Cap Screw	1				52829			
100	Dog Retaining Ring	2				W - 125			
95	Lever Retaining Ring	2				W - 137			
52	Alemite Grease Fittings	2				51006			
91/94	Bracket Spacers	1/1				602-2/602-1			
104	Pin	1				955			

• RECOMMENDED SPARES

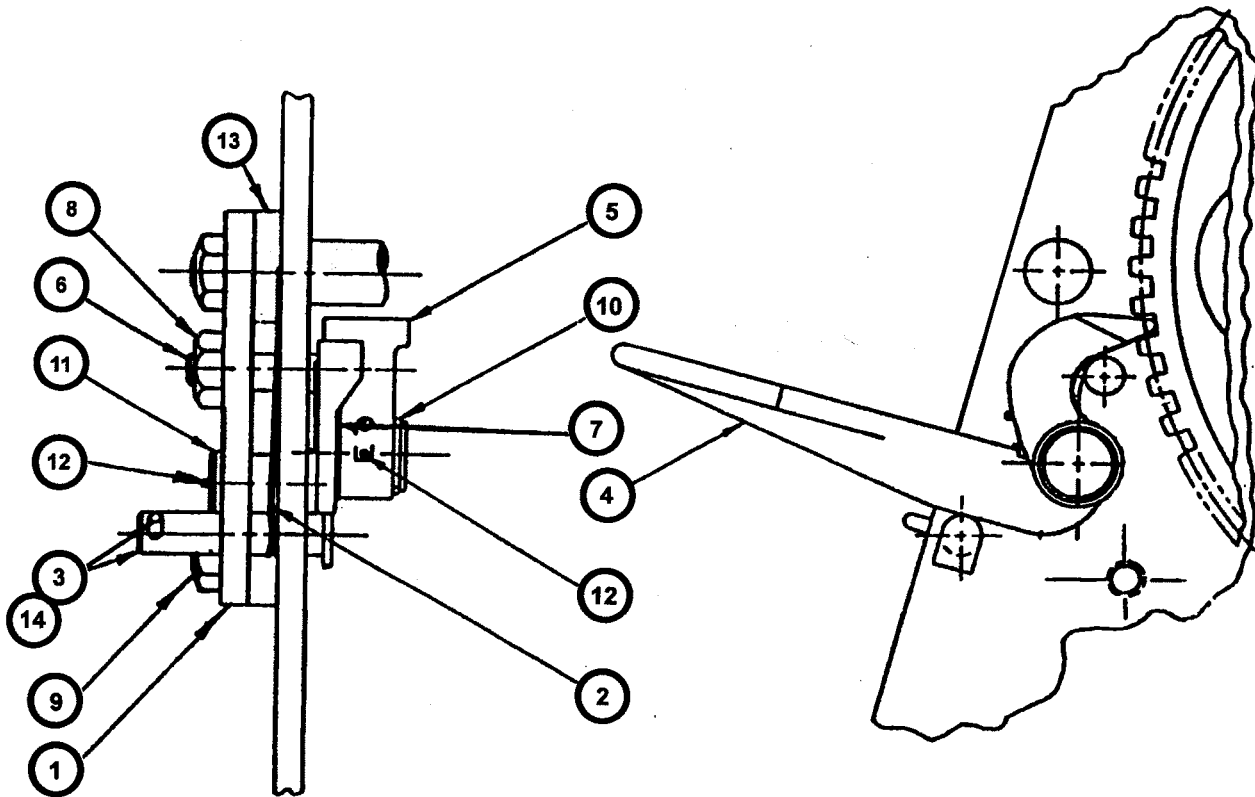


1074 Kenran Industrial Dr.
St. Louis, MO 63137
Phone: 1-800-381-9968

HUMCO DECK FITTINGS

Wintech Beebe 300 Series Right Hand Dog Assembly

Right Hand Dog Assembly Part No. 521 300 Series 25 Ton Barge Winch



ITEM NO.	DESCRIPTION	TOTAL QTY	MODEL/PART NO.					
			301	331	321	331	341	351
92	Dog Bracket	1				601		
• 93	Plunger Pin Spring	1				507		
103	Plunger Pin	1				506		
97	Dog Release Lever - RH	1				453		
• 98	Dog	1				1019		
102	Lever Stop	1				522		
• 99	Dog Spring - RH	1				1010		
90	Hex Nut	1				50171		
96	Cap Screw	1				52829		
100	Dog Retaining Ring	2				W - 125		
95	Lever Retaining Ring	2				W - 137		
52	Alemite Grease Fittings	2				51006		
91/94	Bracket Spacers	1/1				602-2 / 602-1		
104	Pin	1				955		

• RECOMMENDED SPARES



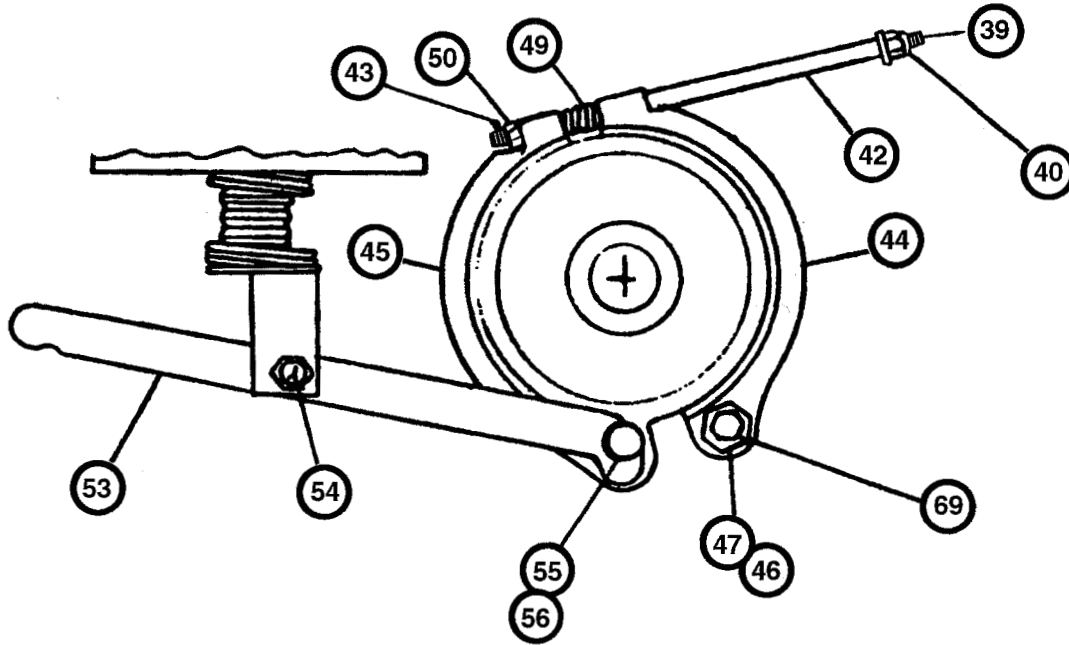
1074 Kenran Industrial Dr.
St. Louis, MO 63137
Phone: 1-800-381-9968

HUMCO DECK FITTINGS

Wintech Beebe 300 Series Oversized Brake Assembly



Oversized Brake Assembly 300 Series 25 Ton Barge Winch



ITEM NO.	DESCRIPTION	TOTAL QTY	MODEL/PART NO.						
			301	311	321	331	341	351	
53	Brake Lever	XX							XX
XX	Left Hand Brake Lever	1							8120-2
XX	Right Hand Brake Lever	1							8120-1
• 45	Brake Shoe (lever side)	1							8122
• 44	Brake Shoe (anchor side)	1							8123
47	Brake Anchor Eccentric	1							8126
39	Adjustment Stud	1							1645
42	Adjustment Spacer	1							1646
49	Adjustment Spring	1							1647
54	Solenoid Link Pin	1							4969-1
69	Anchor Bolt	1							50208
40	Adjustment Nut	1							50170
50	Slotted Nut	1							50169
43	Cotter Pin	1							51937
46	Brake Shoe Retaining Ring	2							53918
55	Brake Lever Washer	2							50166
56	Brake Lever Retaining Ring	2							50191

• RECOMMENDED SPARES

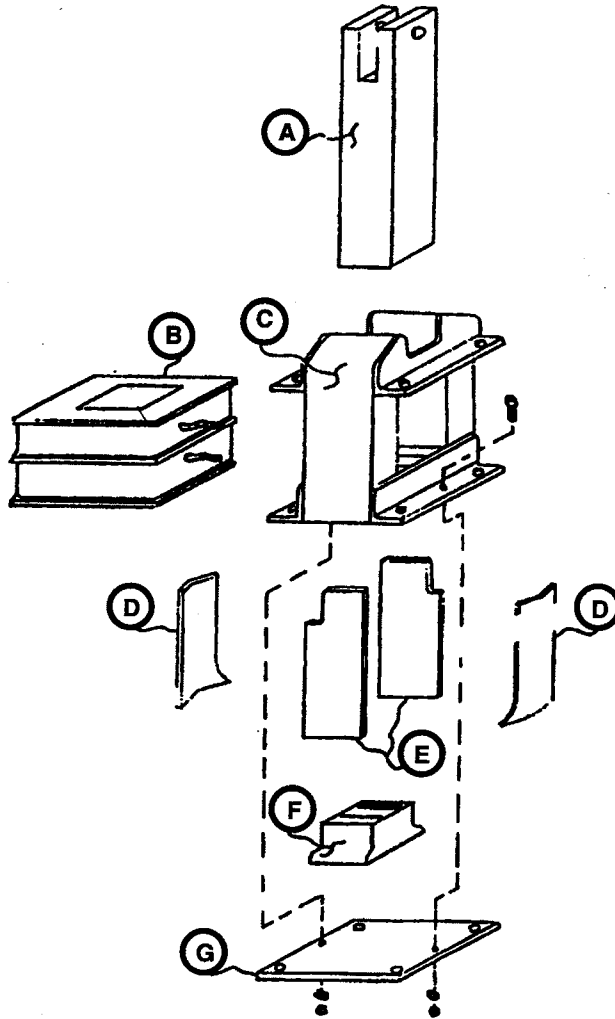


1074 Kenran Industrial Dr.
 St. Louis, MO 63137
 Phone: 1-800-381-9968

HUMCO DECK FITTINGS

Wintech Beebe Solenoid Parts Breakdown

Solenoid Parts Breakdown For 7007-220 and 7007-440



ITEM NO.	DESCRIPTION	TOTAL QTY	MODEL/PART NO.						
			301	311	321	331	341	351	
A	Plunger	1				7007-A			
B	Coil, 440V	1				R4317 WP			
XX	Coil, 220V	1				R4318 WP			
C	Frame	1				7007-C			
D	Guides (Brass)	2				7007-D			
E	Guides (Laminated Phenolic)	2				7007-E			
F	Pole Piece	1				7007-F			
G	Base Plate	1				7007-G			