



1074 Kenran Industrial Dr.
St. Louis, MO 63137
Phone: 1-800-381-9968

HUMCO SHAFT ACCESSORIES

Duramax Johnson Cutless® Solid Naval Brass Flanged Bearings

Solid Naval Brass Flanged Bearings

STRUT OR AFT STERN TUBE



FLANGE DRILLING
DIAGRAM ON PAGE 694

Johnson Cutless® Flanged Bearings are centrifugally cast naval brass with an integral flange for bolting to stern tube or strut housing to retain bearing and prevent rotation in housing. Specially formulated oil and chemical resistant nitrile rubber is securely bonded to the shell. Shells are heavy walled providing structural strength and can be step turned if desired. Flanges are furnished UN-DRILLED unless specified. See page 694 for Drilling Diagrams.

PRECAUTION: When shrink fitting of the bearing is required, chilling must be achieved by gradual cooling to not more than minus 20°F (-28°C) using freezer or regular ice (**DO NOT DRY ICE**). NOTE: Pounding or shocking the bearing while in the chilled state could cause the rubber to separate from the shell.

Approved Bearings: Johnson Cutless® Naval Brass Flanged Bearings meet military specification MIL-B-17901 (Ships) Class II Full-Molded type and have full type approval from The American Bureau of Shipping.

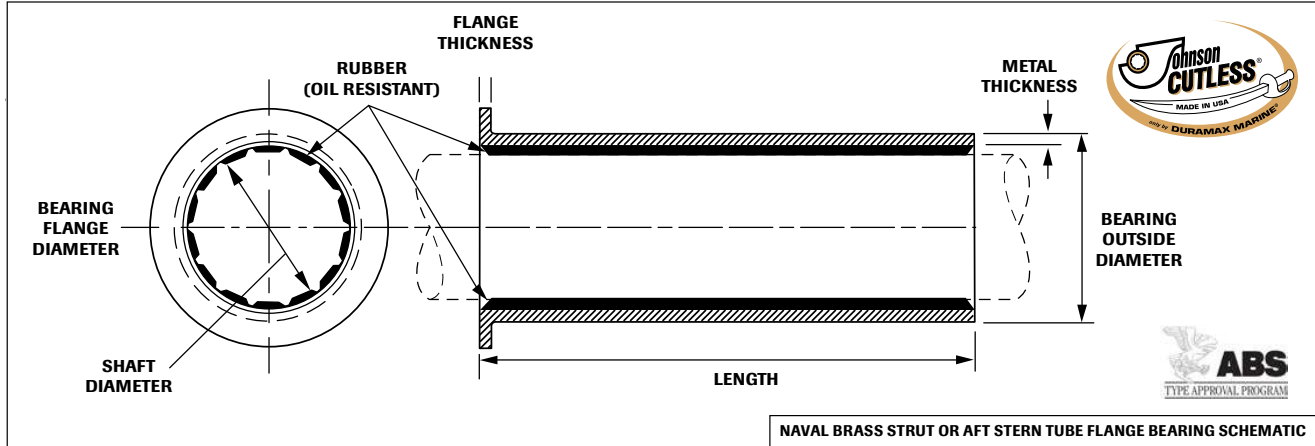
Part Number	Code	Shaft Diameter		Outside Diameter		Length		Flange Diameter		Flange Thickness		Metal I.D.		Metal Thickness		Weight	
		inches	mm	inches	mm	inches	mm	inches	mm	inches	mm	inches	mm	inches	mm	lb.	kg.
860512102	BRACE	2	50.80	3	76.20	8	203.20	5	127.00	3/8	9.53	25/8	66.68	3/16	4.76	7	3.2
860642100	BROAD	2 1/2	63.50	3 3/8	85.73	10	254.00	5 1/2	139.70	3/8	9.53	3 1/8	79.38	1/8	3.18	9	4.1
860762100	CATCH	3	76.20	4 1/4	107.95	12	304.80	6 3/4	171.45	1/2	12.70	3 3/4	95.25	1/4	6.35	20	9.1
860832100	CLAMP	3 1/4	82.55	4 1/2	114.30	13	330.20	7	177.80	1/2	12.70	4	101.60	1/4	6.35	22	10.0
860892100	CRANK	3 1/2	88.90	4 3/4	120.65	12 1/2	317.50	6 3/4	171.45	1/2	12.70	4 1/4	107.95	1/4	6.35	21	9.5
860892101	CLEAR	3 1/2	88.90	4 7/8	123.65	14	355.60	7 3/8	187.33	1/2	12.70	4 1/4	107.95	5/16	7.94	29	13.2
860952100	CIVIL	3 3/4	95.25	5 1/4	133.35	15	381.00	7 3/4	196.85	1/2	12.70	4 5/8	117.48	5/16	7.94	32	14.5
861022100	DRAFT	4	101.60	5 1/2	139.70	16	406.40	8	203.20	1/2	12.70	4 7/8	123.83	5/16	7.94	36	16.3
861082100	DREAD	4 1/4	107.95	5 3/4	146.05	17	431.80	8 1/4	209.55	1/2	12.70	5 1/8	130.18	5/16	7.94	48	21.8
861112100	DANCE	4 3/8	111.13	6	152.40	22	558.80	8 7/8	225.43	1/2	12.70	5 3/8	136.53	5/16	7.94	64	29.0
861152100	DRINK	4 1/2	114.30	6	152.40	18	457.20	8 7/8	225.43	1/2	12.70	5 3/8	136.53	5/16	7.94	56	25.4
861212100	DROVE	4 3/4	120.65	6 1/4	158.75	19	482.60	9 1/8	231.78	1/2	12.70	5 3/8	136.53	5/16	7.94	62	28.1
861272100	EARTH	5	127.00	6 3/4	171.45	20	508.00	9 5/8	244.48	9/16	14.29	6	152.40	3/8	9.53	76	34.5
861342100	EASEL	5 1/4	133.35	6 7/8	174.63	21	533.40	9 7/8	250.83	9/16	14.29	6 1/8	155.58	3/8	9.53	81	36.7
861402100	ERASE	5 1/2	139.70	7 1/4	184.15	22	558.80	10 1/4	260.35	9/16	14.29	6 1/2	165.10	3/8	9.53	86	39.0
861462100	EVENT	5 3/4	146.05	7 1/4	184.15	23	584.20	10 1/4	260.35	9/16	14.29	6 1/2	165.10	3/8	9.53	88	39.9
861532100	FABLE	6	152.40	7 3/4	196.85	15	381.00	12 1/4	311.15	9/16	14.29	6 1/2	165.10	3/8	9.53	75	34.0
861532101	FAULT	6	152.40	7 3/4	196.85	24	609.60	11	279.40	9/16	14.29	7	177.80	3/8	9.53	101	45.8
—	—	6 1/8	155.58	7 7/8	200.03	22	558.80	10 1/2	266.70	9/16	14.29	7	177.80	3/8	9.53	—	—
861592100	FENCE	6 1/4	158.75	8	203.20	22 1/2	571.50	10 5/8	269.88	9/16	14.29	7 1/8	180.98	3/8	9.53	97	44.0
—	—	6 3/8	161.93	8 1/8	206.38	23	584.20	10 3/4	273.05	9/16	14.29	7 1/4	184.15	3/8	9.53	—	—
861662100	FLARE	6 1/2	165.10	8 3/8	212.73	23 1/2	596.90	11	279.40	9/16	14.29	7 3/8	187.33	7/16	11.13	113	51.3
861662101	FLEET	6 1/2	165.10	8 3/8	212.73	30	762.00	11	279.40	5/8	15.88	7 1/2	190.50	7/16	11.13	141	64.0
861692100	FLUTE	6 5/8	168.28	8 1/2	215.90	15	381.00	13 1/2	342.90	5/8	15.88	7 1/2	190.50	7/16	11.13	100	45.4
861692101	FLOOR	6 5/8	168.28	8 1/2	215.90	24	609.60	11 1/4	285.75	9/16	14.29	7 5/8	193.68	7/16	11.13	133	60.3
861692103	FRANK	6 5/8	168.28	8 5/8	219.08	24	609.60	11 1/4	285.75	9/16	14.29	7 5/8	193.68	3/8	9.53	130	59.0
861722100	FROZE	6 3/4	171.45	8 3/4	222.25	24	609.60	11 1/4	285.75	5/8	15.88	7 7/8	200.03	7/16	11.13	127	57.6
861722101	FANCY	6 3/4	171.45	8 3/4	222.25	24 1/2	622.30	11 3/8	288.93	9/16	14.29	7 7/8	200.03	7/16	11.13	135	61.2
861752100	FOUND	6 7/8	174.63	8 7/8	225.43	24 1/2	622.30	11 3/8	288.93	9/16	14.29	7 7/8	200.03	1/2	12.70	134	60.8
861752101	—	6 7/8	174.63	8 7/8	225.43	25	635.00	11 1/2	292.10	9/16	14.29	8	203.20	3/16	4.76	—	—
861782100	GAVEL	7	177.80	9	228.60	25 1/2	647.70	11 5/8	295.28	9/16	14.29	8 1/8	206.38	7/16	11.13	140	63.5
861782101	GLAND	7	177.80	9 1/8	231.78	25 1/2	647.70	11 5/8	295.28	9/16	14.29	8 1/8	206.38	1/2	12.70	154	69.9
—	—	7 1/8	180.98	9 1/8	231.78	25 1/2	647.70	11 3/4	298.45	9/16	14.29	8 1/4	209.55	7/16	11.13	—	—
861852100	GLASS	7 1/4	184.15	9 1/4	234.95	26 1/2	673.10	11 7/8	301.63	9/16	14.29	8 3/8	212.73	7/16	11.13	150	68.0
—	—	7 3/8	196.85	9 1/2	241.30	27	685.80	12 1/8	307.98	9/16	14.29	8 5/8	219.08	7/16	11.13	—	—
861912100	GLORY	7 1/2	190.50	9 5/8	244.48	17 1/2	444.50	14 1/2	368.30	1	25.40	8 3/4	222.25	7/16	11.13	129	58.5
861912101	GLOBE	7 1/2	190.50	9 5/8	244.48	27 1/2	698.50	12 3/4	323.85	9/16	14.29	8 3/4	222.25	7/16	11.13	160	72.6
—	—	7 5/8	193.68	9 3/4	247.65	28	711.20	12 3/8	314.33	9/16	14.29	8 3/4	222.25	1/2	12.70	—	—
861972100	GIPSY	7 3/4	196.85	9 7/8	250.83	28 1/2	723.90	12 1/2	317.50	9/16	14.29	8 7/8	225.43	1/2	12.70	180	81.7
—	—	7 7/8	200.03	10	254.00	29 1/2	749.30	12 5/8	320.68	9/16	14.29	9 1/8	231.78	7/16	11.13	—	—
862042101	HEART	8	203.20	10 1/4	260.35	29 1/2	749.30	13 1/4	336.55	5/8	15.88	9 1/2	241.30	3/8	9.53	166	75.3
862042102	HEDGE	8	203.20	10 1/2	266.70	29 1/2	749.30	13 1/4	336.55	5/8	15.88	9 1/2	241.30	1/2	12.70	210	95.3
—	—	8 1/8	206.38	10 3/8	263.53	30	762.00	13 3/8	339.73	5/8	15.88	9 3/8	238.13	1/2	12.70	—	—
862102100	HITCH	8 1/4	209.55	10 1/2	266.70	30 1/2	774.70	13 1/2	342.90	5/8	15.88	9 1/2	241.30	1/2	12.70	208	94.4
—	—	8 3/8	212.73	10 5/8	269.88	31	787.40	13 5/8	346.08	5/8	15.88	9 5/8	244.48	1/2	12.70	—	—
862172100	HOIST	8 1/2	215.90	10 3/4	273.05	31 1/2	800.10	13 3/4	349.25	5/8	15.88	9 3/4	247.65	1/2	12.70	215	97.5
—	—	8 5/8	219.08	10 7/8	276.23	32	812.80	13 7/8	352.43	5/8	15.88	9 7/8	250.83	1	25.40	—	—
862232100	HOVER	8 3/4	222.25	11	279.40	32 1/2	825.50	14	355.60	5/8	15.88	10	254.00	1/2	12.70	233	105.7
—	—	8 7/8	225.43	11 1/8	282.58	33	838.20	14 1/8	358.78	3/4	19.05	10 1/8	257.18	1/2	12.70	—	—
862292100	INFRA	9	228.60	11 1/4	285.75	33 1/2	850.90	14 1/4	361.95	3/4	19.05	10 1/4	260.35	1/2	12.70	254	115.2
862292101	IDEAL	9	228.60	11 1/2	292.10	33 3/8	847.73	15	381.00	3/4	19.05	10 1/4	260.35	5/8	15.88	301	136.5



1074 Kenran Industrial Dr.
St. Louis, MO 63137
Phone: 1-800-381-9968

HUMCO SHAFT ACCESSORIES

Duramax Johnson Cutless® Solid Naval Brass Flanged Bearings



NAVAL BRASS STRUT OR AFT STERN TUBE FLANGE BEARING SCHEMATIC

Part Number	Code	Shaft Diameter		Outside Diameter		Length		Flange Diameter		Flange Thickness		Metal I.D.		Metal Thickness		Weight	
		inches	mm	inches	mm	inches	mm	inches	mm	inches	mm	inches	mm	inches	mm	lb.	kg.
862332101	—	9 1/8	231.78	11 3/8	288.93	34	863.60	14 1/2	368.30	3/4	19.05	10 3/8	263.53	1/2	12.70	—	—
862332100	INNER	9 1/8	231.78	11 1/2	292.10	34 1/2	876.30	16 3/8	415.93	5/8	15.88	10 3/8	263.53	9/16	14.29	284	128.8
862362100	IRISH	9 1/4	234.95	11 1/2	292.10	34 1/2	876.30	14 5/8	371.48	11/16	17.46	10 1/2	266.70	1/2	12.70	260	117.9
862392100	—	9 3/8	238.13	11 5/8	295.28	35	889.00	14 3/4	374.65	3/4	19.05	10 5/8	269.88	1/2	12.70	—	—
862422100	INSET	9 1/2	241.30	11 3/4	298.45	35 1/2	901.70	14 7/8	377.83	3/4	19.05	10 3/4	273.05	1/2	12.70	274	124.3
862452100	—	9 5/8	244.48	11 7/8	301.63	36	914.40	15	381.00	3/4	19.05	10 7/8	276.23	1/2	12.70	—	—
862482100	IVORY	9 3/4	247.65	12 1/8	307.98	36 1/2	927.10	15 1/4	387.35	3/4	19.05	11	279.40	9/16	14.29	307	139.3
—	—	9 7/8	250.83	12 1/4	311.15	37	939.80	15 3/8	390.53	3/4	19.05	11 1/8	282.58	9/16	14.29	—	—
862552100	JEWEL	10	254.00	12 3/8	314.33	37 1/2	952.50	15 1/2	393.70	3/4	19.05	11 1/4	285.75	9/16	14.29	333	151.1
862582100	—	10 1/8	257.18	12 1/2	317.50	38	965.20	15 5/8	396.88	3/4	19.05	11 1/4	285.75	5/8	15.88	—	—
862612100	JETTY	10 1/4	260.35	12 5/8	320.68	38 1/2	977.90	15 7/8	403.23	3/4	19.05	11 1/2	292.10	9/16	14.29	352	159.7
—	—	10 3/8	263.53	12 3/4	323.85	39	990.60	16	406.40	3/4	19.05	11 5/8	295.28	9/16	14.29	—	—
862682100	JUMBO	10 1/2	266.70	12 7/8	327.03	39 1/2	1003.30	16 1/8	409.58	3/4	19.05	11 3/4	298.45	9/16	14.29	350	158.8
—	—	10 5/8	269.88	13	330.20	40	1016.00	16 1/4	412.75	3/4	19.05	11 7/8	301.63	9/16	14.29	—	—
862742100	JUDGE	10 3/4	273.05	13 1/8	333.38	40 1/2	1028.70	16 3/8	415.93	3/4	19.05	12	304.80	9/16	14.29	368	166.9
—	—	10 7/8	276.23	13 1/4	336.55	41	1041.40	17	431.80	3/4	19.05	12 1/8	307.98	9/16	14.29	—	—
862802100	KNOCK	11	279.40	13 1/2	342.90	41 1/2	1054.10	17 1/4	438.15	3/4	19.05	12 3/8	314.33	9/16	14.29	420	190.5
—	—	11 1/8	282.58	13 5/8	346.08	42	1066.80	17 3/8	441.33	3/4	19.05	12 1/2	317.50	9/16	14.29	—	—
826872100	KRAFT	11 1/4	285.75	13 3/4	349.25	42 1/2	1079.50	17 1/2	444.50	3/4	19.05	12 5/8	320.68	9/16	14.29	432	196.0
—	—	11 3/8	288.93	14	355.60	43	1092.20	17 3/4	450.85	3/4	19.05	12 3/4	323.85	5/8	15.88	—	—
862932101	KNEEL	11 1/2	292.10	14 1/8	358.78	43 1/2	1104.90	17 7/8	454.03	3/4	19.05	12 7/8	327.03	5/8	15.88	482	218.6
862932100	KNIFE	11 1/2	292.10	14 7/8	377.83	50 3/4	1289.10	20 1/4	514.35	1 1/4	31.75	12 7/8	327.03	1	25.40	860	390.1
862962100	—	11 5/8	295.28	14 1/4	361.95	44	1117.60	18	457.20	13	19.05	13	330.20	5/8	15.88	—	—
862992100	KNOTS	11 3/4	298.45	14 3/8	365.13	44 1/2	1130.30	18 1/8	460.38	3/4	19.05	13 1/8	333.38	5/8	15.88	502	227.7
—	—	11 7/8	301.63	14 1/2	368.30	45	1143.00	18 1/4	463.55	3/4	19.05	13 1/4	336.55	5/8	15.88	—	—
863062100	LABOR	12	304.80	14 3/4	374.65	45 1/2	1155.70	18 1/2	469.90	3/4	19.05	13 1/2	342.90	5/8	15.88	516	234.1
863092100	LOGAN	12 1/8	307.98	14 7/8	377.83	46	1168.40	18 5/8	473.08	3/4	19.05	13 5/8	346.08	5/8	15.88	—	—
863122100	LANCE	12 1/4	311.15	15	381.00	46 1/2	1181.10	18 3/4	476.25	3/4	19.05	13 3/4	349.25	5/8	15.88	539	244.5
—	LEASE	12 3/8	314.33	15 1/8	384.18	47	1193.80	18 7/8	479.43	3/4	19.05	13 7/8	352.43	5/8	15.88	—	—
863182100	LAYER	12 1/2	317.50	15 1/4	387.35	47 1/2	1206.50	19	482.60	3/4	19.05	14	355.60	5/8	15.88	554	251.3
863222100	LOGIC	12 5/8	320.68	15 3/8	390.53	48	1219.20	19 1/8	485.78	3/4	19.05	14 1/8	358.78	5/8	15.88	582	264.0
863252100	MILKY	12 3/4	323.85	15 1/2	393.70	48 1/2	1231.90	19 1/4	488.95	3/4	19.05	14 1/4	361.95	5/8	15.88	—	—
863282100	MUSIC	12 7/8	327.03	15 5/8	396.88	49	1244.60	19 3/8	492.13	3/4	19.05	14 3/8	365.13	5/8	15.88	—	—
863312100	MINCE	13	330.20	15 7/8	403.23	50	1270.00	19 5/8	498.48	7/8	22.23	14 1/2	368.30	11/16	17.46	674	305.7
863342100	MITTY	13 1/8	333.38	16	406.40	50 1/2	1282.70	19 3/4	501.65	7/8	22.23	14 5/8	371.48	11/16	17.46	710	322.1
863372100	MISTY	13 1/4	336.55	16 1/8	409.58	51	1295.40	19 7/8	504.83	7/8	22.23	14 3/4	374.65	11/16	17.46	—	—
863412100	NIFTY	13 3/8	339.73	16 1/4	412.75	51 1/2	1308.10	20	508.00	7/8	22.23	14 7/8	377.83	11/16	17.46	696	315.7
863442100	NIECE	13 1/2	342.90	16 3/8	415.93	52	1320.80	20 1/8	511.18	7/8	22.23	15	381.00	11/16	17.46	697	316.1
863472100	NOVEL	13 5/8	346.08	16 1/2	419.10	52 1/2	1333.50	20 1/4	514.35	7/8	22.23	15 1/8	384.18	11/16	17.46	—	—
863502100	ORTHA	13 3/4	349.25	16 5/8	422.28	53	1346.20	20 3/8	517.53	7/8	22.23	15 1/4	387.35	11/16	17.46	—	—
—	OGGLE	13 7/8	352.43	16 3/4	425.45	53 1/2	1358.90	20 1/2	520.70	7/8	22.23	15 3/8	390.53	11/16	17.46	—	—
863572100	OPERA	14	355.60	16 7/8	428.63	54	1371.60	20 5/8	523.88	7/8	22.23	15 1/2	393.70	11/16	17.46	735	333.4
—	PURSE	14 1/8	358.78	17	431.80	54 1/2	1384.30	20 3/4	527.05	7/8	22.23	15 5/8	396.88	11/16	17.46	—	—
—	POLAR	14 1/4	361.95	17 1/8	435.98	55	1397.00	20 7/8	530.23	7/8	22.23	15 3/4	400.05	11/16	17.46	—	—
863662100	POINT	14 3/8	365.13	17 1/4	438.15	55 1/2	1409.70	21	533.40	7/8	22.23	15 7/8	403.23	11/16	17.46	842	381.9
863692100	PRUNE	14 1/2	368.30	17 1/2	444.50	56	1422.40	21 1/4	539.75	7/8	22.23	16	406.40	3/4	19.05	852	386.5
—	PRICE	14 5/8	371.48	17 5/8	447.68	56 1/2	1435.10	21 3/8	542.93	7/8	22.23	16 1/8	409.58	3/4	19.05	—	—
—	PUNCH	14 3/4	374.65	17 3/4	450.85	57	1447.80	21 1/2	546.10	7/8	22.23	16 1/4	412.75	3/4	19.05	—	—
—	QUAKE	14 7/8	377.83	17 7/8	454.03	57 1/2	1460.50	21 5/8	549.28	7/8	22.23	16 3/8	415.93	3/4	19.05	—	—
863822100	QUIET	15	381.00	18	457.20	58	1473.20	21 3/4	552.45	7/8	22.23	16 1/2	419.10	3/4	19.05	905	410.5



1074 Kenran Industrial Dr.
St. Louis, MO 63137
Phone: 1-800-381-9968

HUMCO SHAFT ACCESSORIES

Duramax Johnson Cutless® Solid Naval Brass Flanged Bearings

Solid Naval Brass Flanged Bearings

FORWARD STERN TUBE



MALE PILOT FOR MATING WITH STUFFING BOX RECESS

Johnson Cutless Forward Stern Tube Flanged Bearings are made of centrifugally cast naval brass and feature a heavy metal wall and integral flange. The specially formulated nitrile rubber compound is securely bonded to metal shell and is chemical and oil resistant. The integral flange permits solid bolting of the bearing to stern tube stuffing box. The machined male pilot on the integral flange mates with the female recess of the stuffing box. Flanges are furnished UN-DRILLED unless specified. See page 694 for "Drilling Diagrams".

PRECAUTION: When shrink fitting of the bearing is required, chilling must be achieved by gradual cooling to not more than minus 20°F(-28°C) using freezer or regular ice (**DO NOT DRY ICE**). NOTE: Pounding or shocking the bearing while in the chilled state could cause the rubber to separate from the shell.

Approved Bearings: Johnson Cutless® Naval Brass Flanged Bearings meet military specification MIL-B-17901 (Ships) Class II Full-Molded type and have full type approval from The American Bureau of Shipping.

Part Number	Code	Shaft Diameter (A) Dimensions		Outside Diameter (B) Dimensions		Length (C) Dimensions		Flange Diameter (D) Dimensions	
		inches	mm	inches	mm	inches	mm	inches	mm
860642180	212	2 1/2	63.50	3 3/8	85.73	10	254.00	6 1/4	158.75
860762180	300	3	76.20	4 1/4	107.95	12	304.80	7 1/2	190.50
860832180	314	3 1/4	82.55	4 1/2	114.30	13	330.20	7 1/2	190.50
860892180	312	3 1/2	88.90	4 7/8	123.83	14	355.60	8 1/8	206.38
860952180	334	3 3/4	95.25	5 1/4	133.35	15	381.00	8 1/8	206.38
861022180	400	4	101.60	5 1/2	139.70	16	406.40	8 5/8	219.08
861082180	414	4 1/4	107.95	5 3/4	146.05	17	431.80	8 5/8	219.08
861152180	412	4 1/2	114.30	6	152.40	18	457.20	9 3/8	238.13
861212180	434	4 3/4	120.65	6 1/4	158.75	19	482.60	9 3/8	238.13
861272180	500	5	127.00	6 3/4	171.45	20	508.00	10 1/8	257.18
861342181	514	5 1/4	133.35	6 7/8	174.63	21	533.40	10 1/8	257.18
861402180	512	5 1/2	139.70	7 1/4	184.15	22	558.80	10 5/8	269.88
861462180	534	5 3/4	146.05	7 1/4	184.15	23	584.20	10 5/8	269.88
861532180	600	6	152.40	7 3/4	196.85	15	381.00	11 3/8	288.93
—	618	6 1/8	155.58	7 7/8	200.03	15	381.00	12 1/4	311.15
861592180	614	6 1/4	158.75	7 7/8	200.03	15	381.00	11 3/8	288.93
—	638	6 3/8	161.93	8 1/8	206.38	15	381.00	12 5/8	320.68
861662180	612	6 1/2	165.10	8 3/8	212.73	15	381.00	13 1/2	342.90
861692180	FETCH	6 5/8	168.28	8 5/8	219.08	15	381.00	13 1/2	342.90
—	658	6 5/8	168.28	8 1/2	215.90	15	381.00	13 1/2	342.90
861722180	634	6 3/4	171.45	8 3/4	222.25	15	381.00	13 3/4	349.25
—	678	6 7/8	174.63	8 7/8	225.43	15	381.00	13 3/4	349.25
861782180	700	7	177.80	9	228.60	17 1/2	444.50	13 3/4	349.25
—	718	7 1/8	180.98	9 1/8	231.78	17 1/2	444.50	14 1/8	358.78
861852180	714	7 1/4	184.15	9 1/4	234.95	17 1/2	444.50	14 1/8	358.78
—	738	7 3/8	187.33	9 1/2	241.30	17 1/2	444.50	14 1/8	358.78
861912180	712	7 1/2	190.50	9 5/8	244.48	17 1/2	444.50	14 1/2	368.30
—	758	7 5/8	193.68	9 3/4	247.65	17 1/2	444.50	14 1/2	368.30
861972180	734	7 3/4	196.85	9 7/8	250.83	17 1/2	444.50	14 1/2	368.30
—	778	7 7/8	200.03	10	254.00	17 1/2	508.00	14 7/8	377.83
862042180	HARDY	8	203.20	10 1/4	260.35	20	508.00	14 7/8	377.83
—	818	8 1/8	206.38	10 3/8	263.53	20	508.00	14 7/8	377.83
862102180	814	8 1/4	209.55	10 1/2	266.70	20	508.00	15 1/4	387.35
—	838	8 3/8	212.73	10 5/8	269.88	20	508.00	15 1/4	387.35
862172180	812	8 1/2	215.90	10 3/4	273.05	20	508.00	15 1/4	387.35
—	858	8 5/8	219.08	10 7/8	276.23	20	508.00	15 5/8	396.88
862232180	834	8 3/4	222.25	11	279.40	20	508.00	15 5/8	396.88
—	878	8 7/8	225.43	11 1/8	282.58	20	571.50	15 5/8	396.88
862292180	900	9	228.60	11 1/4	285.75	22 1/2	571.50	16	406.40

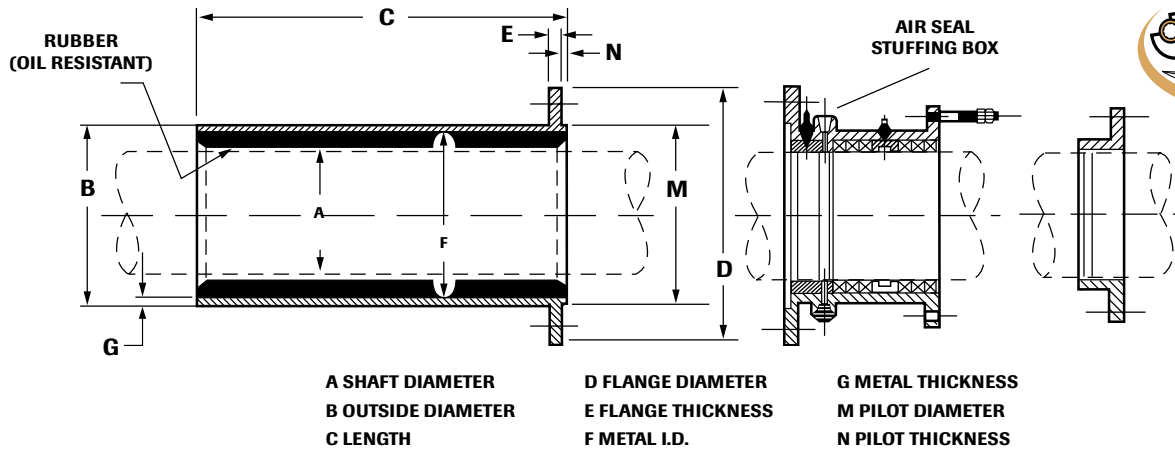
NOTE: Dimensions for each size bearing continue across both pages.



1074 Kenran Industrial Dr.
St. Louis, MO 63137
Phone: 1-800-381-9968

HUMCO SHAFT ACCESSORIES

Duramax Johnson Cutless® Solid Naval Brass Flanged Bearings



A SHAFT DIAMETER
B OUTSIDE DIAMETER
C LENGTH
D FLANGE DIAMETER
E FLANGE THICKNESS
F METAL I.D.
G METAL THICKNESS
M PILOT DIAMETER
N PILOT THICKNESS

NAVAL BRASS FORWARD STERN TUBE FLANGED BEARING SCHEMATIC

Flange Thickness (E) Dimensions		Metal I.D. (F) Dimensions		Metal Thickness (G) Dimensions		Pilot Diameter (M) Dimensions		Pilot Thickness (N) Dimensions		Weight	
inches	mm	inches	mm	inches	mm	inches	mm	inches	mm	lb.	kg.
3/8	9.53	3 1/8	79.38	1/8	3.18	4	101.60	3/16	4.76	12	5.4
1/2	12.70	3 3/4	95.25	1/4	6.35	4 3/4	120.65	3/16	4.76	21	9.5
1/2	12.70	4	101.60	1/4	6.35	4 3/4	120.65	3/16	4.76	24	10.9
1/2	12.70	4 1/4	107.95	5/16	7.94	5 1/4	133.35	3/16	4.76	38	17.2
1/2	12.70	4 5/8	117.48	5/16	7.94	5 1/4	133.35	3/16	4.76	43	19.5
1/2	12.70	4 7/8	123.83	5/16	7.94	5 3/4	146.05	3/16	4.76	48	21.8
1/2	12.70	5 1/8	130.18	5/16	7.94	5 3/4	146.05	3/16	4.76	52	23.6
1/2	12.70	5 3/8	136.53	5/16	7.94	6 1/2	165.10	3/16	4.76	58	26.3
1/2	12.70	5 5/8	142.88	5/16	7.94	6 1/2	165.10	3/16	4.76	61	27.7
9/16	14.29	6	152.40	3/8	9.53	7 1/4	184.15	3/16	4.76	75	34.0
9/16	14.29	6 1/8	155.58	3/8	9.53	7 1/4	184.15	3/16	4.76	79	35.8
9/16	14.29	6 1/2	165.10	3/8	9.53	7 3/4	196.85	3/16	4.76	90	40.8
9/16	14.29	6 1/2	165.10	3/8	9.53	7 3/4	196.85	3/16	4.76	92	41.7
9/16	14.29	7	177.80	3/8	9.53	8	203.20	3/8	9.53	75	34.0
9/16	14.29	7 1/8	180.98	3/8	9.53	8	203.20	3/8	9.53	—	—
9/16	14.29	7 1/8	180.98	3/8	9.53	8	203.20	3/8	9.53	77	34.9
9/16	14.29	7 3/8	187.33	3/8	9.53	8 3/8	212.73	3/8	9.53	—	—
5/8	15.88	7 1/2	190.50	7/16	11.11	8 5/8	219.08	3/8	9.53	91	41.3
5/8	15.88	7 5/8	193.68	1/2	12.70	8 5/8	219.08	3/8	9.53	104	47.2
5/8	15.88	7 5/8	193.68	7/16	11.11	8 5/8	219.08	3/8	9.53	—	—
5/8	15.88	7 7/8	200.03	7/16	11.11	9	228.60	3/8	9.53	99	44.9
5/8	15.88	8	203.20	7/16	11.11	9	228.60	3/8	9.53	—	—
5/8	15.88	8 1/8	206.38	7/16	11.11	9	228.60	3/8	9.53	116	52.6
5/8	15.88	8 1/4	209.55	7/16	11.11	9 5/8	244.48	3/8	9.53	—	—
5/8	15.88	8 3/8	212.73	7/16	11.11	9 5/8	244.48	3/8	9.53	122	55.3
5/8	15.88	8 5/8	219.08	7/16	11.11	9 5/8	244.48	3/8	9.53	—	—
5/8	15.88	8 3/4	222.25	7/16	11.11	10	254.00	3/8	9.53	123	55.8
5/8	15.88	8 7/8	225.43	7/16	11.11	10	254.00	3/8	9.53	—	—
5/8	15.88	8 7/8	225.43	1/2	12.70	10	254.00	3/8	9.53	126	57.2
5/8	15.88	9 1/8	231.78	7/16	11.11	10 3/8	263.53	3/8	9.53	—	—
5/8	15.88	9 1/4	234.95	1/2	12.70	10 3/8	263.53	3/8	9.53	145	65.8
5/8	15.88	9 3/8	238.13	1/2	12.70	10 3/8	263.53	3/8	9.53	—	—
5/8	15.88	9 1/2	241.30	1/2	12.70	10 3/4	273.05	3/8	9.53	157	71.2
5/8	15.88	9 5/8	244.48	1/2	12.70	10 3/4	273.05	3/8	9.53	162	73.5
5/8	15.88	9 3/4	247.65	1/2	12.70	10 3/4	273.05	3/8	9.53	162	73.5
3/4	19.05	9 7/8	250.83	1/2	12.70	11 1/8	282.58	3/8	9.53	—	—
3/4	19.05	10	254.00	1/2	12.70	11 1/8	282.58	3/8	9.53	170	77.1
3/4	19.05	10 1/8	257.18	1/2	12.70	11 1/8	282.58	3/8	9.53	—	—
3/4	19.05	10 1/4	260.35	1/2	12.70	11 1/2	292.10	3/8	9.53	193	87.5



1074 Kenran Industrial Dr.
St. Louis, MO 63137
Phone: 1-800-381-9968

HUMCO SHAFT ACCESSORIES

Duramax Johnson Cutless® Solid Naval Brass Flanged Bearings

Solid Naval Brass Flanged Bearings

FORWARD STERN TUBE

Continued



MALE PILOT FOR MATING WITH STUFFING BOX RECESS

The Solid Flanged Stern Tube Bearing is made of centrifugally cast naval brass and features a heavy wall and integral flange. The specially formulated and compounded nitrile rubber which is securely bonded to shell is chemical and oil resistant. The integral flange permits solid bolting of the bearing to stern tube and stuffing box. The machined male pilot on the bearing flange mates with the female recess of the stuffing box. Flanges are furnished UN-DRILLED unless specified. See page 694 for "Drilling Diagrams".

PRECAUTION: When shrink fitting of the bearing is required, chilling must be achieved by gradual cooling to not more than minus 20°F(-28°C) using freezer or regular ice (**DO NOT DRY ICE**). NOTE: Pounding or shocking the bearing while in the chilled state could cause the rubber to separate from the shell.

Approved Bearings: Johnson Cutless® Naval Brass Flanged Bearings meet military specification MIL-B-17901 (Ships) Class II Full-Molded type and have full type approval from The American Bureau of Shipping.

Part Number	Code	Shaft Diameter (A) Dimensions		Outside Diameter (B) Dimensions		Length (C) Dimensions		Flange Diameter (D) Dimensions	
		inches	mm	inches	mm	inches	mm	inches	mm
—	918	9 1/8	231.78	11 3/8	288.93	22 1/2	571.50	16	406.40
862362180	INLET	9 1/4	234.95	11 1/2	292.10	22 1/2	571.50	16	406.40
—	938	9 3/8	238.13	11 5/8	295.28	22 1/2	571.50	16 3/8	415.93
862422180	912	9 1/2	241.30	11 3/4	298.45	22 1/2	571.50	16 3/8	415.93
862452182	958	9 5/8	244.48	11 7/8	301.63	22 1/2	571.50	16 3/8	415.93
862482180	934	9 3/4	247.65	12 1/8	307.98	22 1/2	571.50	16 7/8	428.63
862522180	978	9 7/8	250.83	12 1/4	311.15	22 1/2	571.50	16 7/8	428.63
862552180	1000	10	254.00	12 3/8	314.33	25	635.00	16 7/8	428.63
—	1018	10 1/8	257.18	12 1/2	317.50	25	635.00	17 7/8	454.03
862612180	1014	10 1/4	260.35	12 5/8	320.68	25	635.00	17 7/8	454.03
—	1038	10 3/8	263.53	12 3/4	323.85	25	635.00	17 7/8	454.03
862682180	1012	10 1/2	266.70	12 7/8	327.03	25	635.00	18 1/4	463.55
—	1058	10 5/8	269.88	13	330.20	25	635.00	18 1/4	463.55
862742180	JOLLY	10 3/4	273.05	13 1/8	333.38	25	635.00	18 1/4	463.55
—	1078	10 7/8	276.23	13 1/4	336.55	25	635.00	18 5/8	473.08
862802180	KETCH	11	279.40	13 1/2	342.90	27 1/2	698.50	18 5/8	473.08
—	1118	11 1/8	282.58	13 5/8	346.08	27 1/2	698.50	18 5/8	473.08
862872180	1114	11 1/4	285.75	13 3/4	349.25	27 1/2	698.50	19	482.60
—	1138	11 3/8	288.93	14	355.60	27 1/2	698.50	19	482.60
862932180	1112	11 1/2	292.10	14 1/8	358.78	27 1/2	698.50	19	482.60
—	1158	11 5/8	295.28	14 1/4	361.95	27 1/2	698.50	19 3/8	492.13
862992180	1134	11 3/4	298.45	14 3/8	365.13	27 1/2	698.50	19 3/8	492.13
—	1178	11 7/8	301.63	14 1/2	368.30	27 1/2	698.50	19 3/8	492.13
863062180	1200	12	304.80	14 3/4	374.65	30	762.00	19 3/4	501.65
863092180	1218	12 1/8	307.98	14 7/8	377.83	30	762.00	19 3/4	501.65
863122180	1214	12 1/4	311.15	15	381.00	30	762.00	19 3/4	501.65
863152180	1238	12 3/8	314.33	15 1/8	384.18	30	762.00	20 1/8	511.18
863182180	1212	12 1/2	317.50	15 1/4	387.35	30	762.00	20 1/8	511.18
863222180	1258	12 5/8	320.68	15 3/8	390.53	30	762.00	20 1/8	511.18
—	1234	12 3/4	323.85	15 1/2	393.70	30	762.00	20 1/2	520.70
—	1278	12 7/8	327.03	15 5/8	396.88	30	762.00	20 1/2	520.70
—	1300	13	330.20	15 7/8	403.23	32 1/2	825.50	20 1/2	520.70
—	1318	13 1/8	333.38	16	406.40	32 1/2	825.50	21	533.40
—	1314	13 1/4	336.55	16 1/8	409.58	32 1/2	825.50	21	533.40
—	1338	13 3/8	339.73	16 1/4	412.75	32 1/2	825.50	21	533.40
863442181	1312	13 1/2	342.90	16 3/8	415.93	32 1/2	825.50	21 3/8	542.93
863472180	1358	13 5/8	346.08	16 1/2	419.10	32 1/2	825.50	21 3/8	542.93
—	1334	13 3/4	349.25	16 5/8	422.28	32 1/2	825.50	21 3/8	542.93
—	1378	13 7/8	352.43	16 3/4	425.45	32 1/2	825.50	21 3/4	552.45
—	1400	14	355.60	16 7/8	428.63	35	889.00	21 3/4	552.45
—	1418	14 1/8	358.78	17	431.80	35	889.00	21 3/4	552.45
—	1414	14 1/4	361.95	17 1/8	434.98	35	889.00	22 1/8	561.98
—	1438	14 3/8	365.13	17 1/4	438.15	35	889.00	22 1/8	561.98
—	1412	14 1/2	368.30	17 1/2	444.50	35	889.00	22 1/8	561.98
—	1458	14 5/8	371.48	17 5/8	447.68	35	889.00	22 1/2	571.50
—	1434	14 3/4	374.65	17 3/4	450.85	35	889.00	22 1/2	571.50
—	1478	14 7/8	377.83	17 7/8	454.03	35	889.00	22 3/4	577.85
—	1500	15	381.00	18	457.20	35	889.00	22 3/4	577.85

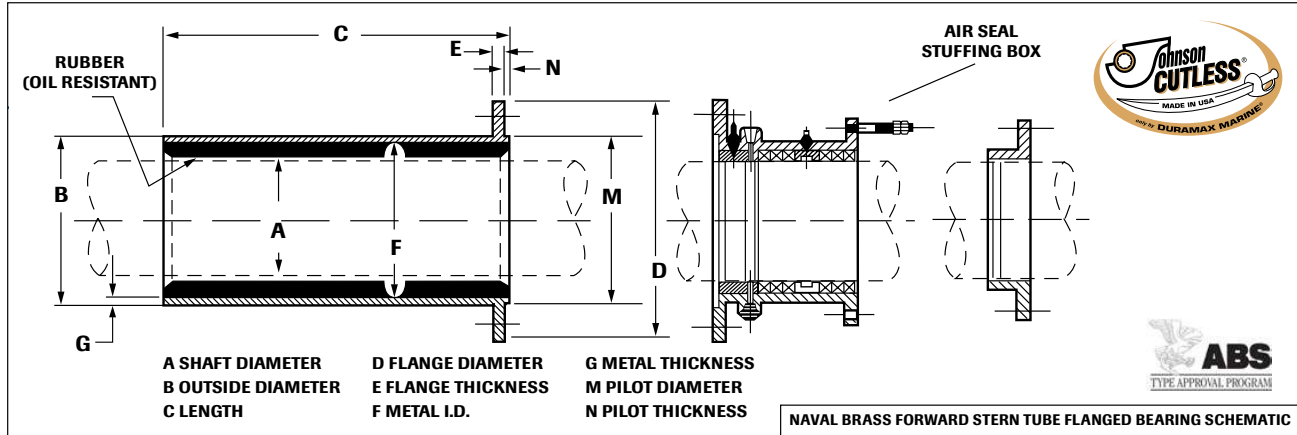
NOTE: Dimensions for each size bearing continue across page.



1074 Kenran Industrial Dr.
St. Louis, MO 63137
Phone: 1-800-381-9968

HUMCO SHAFT ACCESSORIES

Duramax Johnson Cutless® Solid Naval Brass Flanged Bearings



Flange Thickness (E) Dimensions		Metal I.D. (F) Dimensions		Metal Thickness (G) Dimensions		Pilot Diameter (M) Dimensions		Pilot Thickness (N) Dimensions		Weight	
inches	mm	inches	mm	inches	mm	inches	mm	inches	mm	lb.	kg.
3/4	19.05	10 3/8	263.53	1/2	12.70	11 1/2	292.10	3/8	9.53		
3/4	19.05	10 1/2	266.70	1/2	12.70	11 1/2	292.10	3/8	9.53	200	90.7
3/4	19.05	10 5/8	269.88	1/2	12.70	11 7/8	301.63	3/8	9.53		
3/4	19.05	10 3/4	273.05	1/2	12.70	11 7/8	301.63	3/8	9.53	205	172
3/4	19.05	10 7/8	276.23	1/2	12.70	11 7/8	301.63	3/8	9.53		
3/4	19.05	11	279.40	9/16	14.29	12 3/8	314.33	3/8	9.53	217	98.4
3/4	19.05	11 1/8	282.58	9/16	14.29	12 3/8	314.33	3/8	9.53		
3/4	19.05	11 1/4	285.75	9/16	14.29	12 3/8	314.33	3/8	9.53	240	108.9
3/4	19.05	11 3/8	288.93	9/16	14.29	12 3/4	323.85	3/8	9.53		
3/4	19.05	11 1/2	292.10	9/16	14.29	12 3/4	323.85	3/8	9.53	244	110.7
3/4	19.05	11 5/8	295.28	9/16	14.29	12 3/4	323.85	3/8	9.53		
3/4	19.05	11 3/4	298.45	9/16	14.29	13 1/8	333.38	3/8	9.53	247	112.0
3/4	19.05	11 7/8	301.63	9/16	14.29	13 1/8	333.38	3/8	9.53		
3/4	19.05	12	304.80	9/16	14.29	13 1/8	333.38	3/8	9.53	250	113.4
3/4	19.05	12 1/8	307.95	9/16	14.29	13 1/2	342.90	3/8	9.53	—	—
3/4	19.05	12 3/8	314.33	9/16	14.29	13 1/2	342.90	3/8	9.53	300	136.1
3/4	19.05	12 1/2	317.50	9/16	14.29	13 1/2	342.90	3/8	9.53	—	—
3/4	19.05	12 5/8	320.68	9/16	14.29	13 7/8	352.43	3/8	9.53	312	141.5
3/4	19.05	12 3/4	323.85	5/8	15.88	13 7/8	352.43	3/8	9.53		
3/4	19.05	12 7/8	327.03	5/8	15.88	13 7/8	352.43	3/8	9.53	326	147.9
3/4	19.05	13	330.20	5/8	15.88	14 1/8	358.78	3/8	9.53	—	—
3/4	19.05	13 1/8	333.38	5/8	15.88	14 1/8	358.78	3/8	9.53	335	152.0
3/4	19.05	13 1/4	336.55	5/8	15.88	14 1/8	358.78	3/8	9.53	—	—
3/4	19.05	13 1/2	342.90	5/8	15.88	14 1/2	368.30	3/8	9.53	360	163.3
3/4	19.05	13 5/8	346.08	5/8	15.88	14 1/2	368.30	3/8	9.53	—	—
3/4	19.05	13 3/4	349.25	5/8	15.88	14 1/2	368.30	3/8	9.53	373	169.2
7/8	22.23	13 7/8	352.43	5/8	15.88	15 1/8	384.18	3/8	9.53	—	—
7/8	22.23	14	355.60	5/8	15.88	15 1/8	384.18	3/8	9.53	394	178.7
7/8	22.23	14 1/8	358.78	5/8	15.88	15 1/8	384.18	3/8	9.53	—	—
7/8	22.23	14 1/4	361.95	5/8	15.88	15 1/2	393.70	3/8	9.53	—	—
7/8	22.23	14 3/8	365.13	5/8	15.88	15 1/2	393.70	3/8	9.53	—	—
7/8	22.23	14 1/2	368.30	11/16	17.46	15 1/2	393.70	3/8	9.53	—	—
7/8	22.23	14 5/8	371.48	11/16	17.46	15 3/4	400.05	3/8	9.53	—	—
7/8	22.23	14 3/4	374.65	11/16	17.46	15 3/4	400.05	3/8	9.53	—	—
7/8	22.23	14 7/8	377.83	11/16	17.46	15 3/4	400.05	3/8	9.53	—	—
7/8	22.23	15	381.00	11/16	17.46	16 1/4	412.75	3/8	9.53	—	—
7/8	22.23	15 1/8	384.18	11/16	17.46	16 1/4	412.75	3/8	9.53	—	—
7/8	22.23	15 1/4	387.35	11/16	17.46	16 1/4	412.75	3/8	9.53	—	—
7/8	22.23	15 3/8	390.53	11/16	17.46	16 5/8	422.28	3/8	9.53	—	—
7/8	22.23	15 1/2	393.70	11/16	17.46	16 5/8	422.28	3/8	9.53	—	—
7/8	22.23	15 5/8	396.88	11/16	17.46	16 5/8	422.28	3/8	9.53	—	—
7/8	22.23	15 3/4	400.05	11/16	17.46	17 1/4	438.15	3/8	9.53	—	—
7/8	22.23	15 7/8	403.23	11/16	17.46	17 1/4	438.15	3/8	9.53	—	—
7/8	22.23	16	406.40	3/4	19.05	17 1/4	438.15	3/8	9.53	—	—
7/8	22.23	16 1/8	409.58	3/4	19.05	17 1/2	444.50	3/8	9.53	—	—
7/8	22.23	16 1/4	412.75	3/4	19.05	17 1/2	444.50	3/8	9.53	—	—
7/8	22.23	16 3/8	415.93	3/4	19.05	17 3/4	450.85	3/8	9.53	—	—
7/8	22.23	16 1/2	419.10	3/4	19.05	17 3/4	450.85	3/8	9.53	—	—



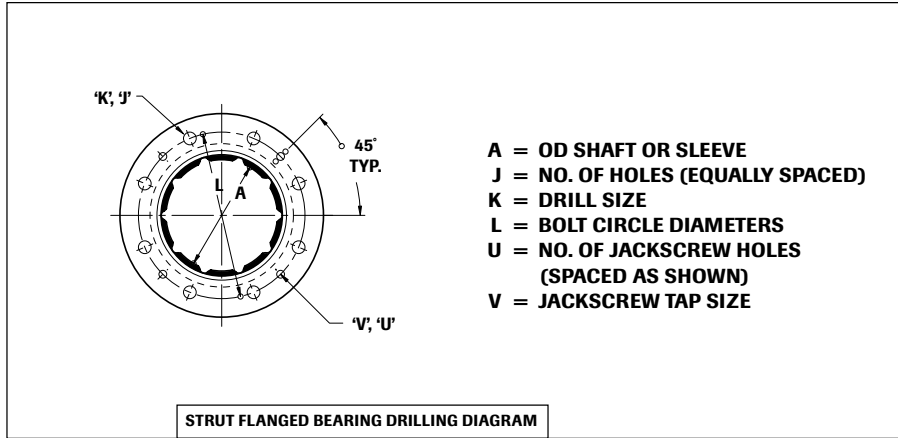
1074 Kenran Industrial Dr.
St. Louis, MO 63137
Phone: 1-800-381-9968

HUMCO SHAFT ACCESSORIES

Duramax Johnson Cutless® Flanged Bearing Drilling Diagram

Flanged Bearing Drilling Diagram

STRUT OR AFT STERN TUBE BEARINGS



ALL DIMENSIONS IN INCHES

STRUT OR AFT STERN TUBE												
OD SHAFT OR SLEEVE	NO. OF HOLES	DRILL SIZE	BOLT CIRCLE DIAMETERS	NO. OF JACKSCREW	JACKSCREW TAP SIZE		OD SHAFT OR SLEEVE	NO. OF HOLES	DRILL SIZE	BOLT CIRCLE DIAMETERS	NO. OF JACKSCREW	JACKSCREW TAP SIZE
A	J	K	L	U	V		A	J	K	L	U	V
6	6	11/16	9	4	1/2		10 1/2	8	13/16	14 1/4	4	3/4
6 1/8	6	11/16	9 1/8	4	1/2		10 5/8	8	13/16	14 3/8	4	3/4
6 1/4	6	11/16	9 1/4	4	1/2		10 3/4	8	13/16	14 1/2	4	3/4
6 3/8	6	11/16	9 3/8	4	1/2		10 7/8	8	15/16	14 7/8	4	3/4
6 1/2	8	11/16	9 5/8	4	1/2		11	8	15/16	15 1/8	4	3/4
6 5/8	8	11/16	9 3/4	4	1/2		11 1/8	8	15/16	15 1/4	4	3/4
6 3/4	8	11/16	10	4	1/2		11 1/4	8	15/16	15 3/8	4	3/4
6 7/8	8	11/16	10 1/8	4	1/2		11 3/8	10	15/16	15 5/8	4	3/4
7	8	11/16	10 1/4	4	5/8		11 1/2	10	15/16	15 3/4	4	3/4
7 1/8	8	11/16	10 3/8	4	5/8		11 5/8	10	15/16	15 7/8	4	3/4
7 1/4	8	11/16	10 1/2	4	5/8		11 3/4	10	15/16	16	4	3/4
7 3/8	8	11/16	10 3/4	4	5/8		11 7/8	10	15/16	16 1/8	4	3/4
7 1/2	8	11/16	10 7/8	4	5/8		12	10	15/16	16 3/8	4	3/4
7 5/8	8	11/16	11	4	5/8		12 1/8	10	15/16	16 1/2	4	3/4
7 3/4	8	11/16	11 1/8	4	5/8		12 1/4	10	15/16	16 5/8	4	3/4
7 7/8	8	11/16	11 1/4	4	5/8		12 3/8	10	15/16	16 3/4	4	3/4
8	8	13/16	11 5/8	4	5/8		12 1/2	10	15/16	16 7/8	4	3/4
8 1/8	8	13/16	11 3/4	4	5/8		12 5/8	10	15/16	17	4	3/4
8 1/4	8	13/16	11 7/8	4	5/8		12 3/4	10	15/16	17 1/8	4	3/4
8 3/8	8	13/16	12	4	5/8		12 7/8	10	15/16	17 1/4	4	3/4
8 1/2	8	13/16	12 1/8	4	5/8		13	10	15/16	17 1/2	4	7/8
8 5/8	8	13/16	12 1/4	4	5/8		13 1/8	10	15/16	17 5/8	4	7/8
8 3/4	8	13/16	12 3/8	4	5/8		13 1/4	10	15/16	17 3/4	4	7/8
8 7/8	8	13/16	12 1/2	4	5/8		13 3/8	10	15/16	17 7/8	4	7/8
9	8	13/16	12 5/8	4	3/4		13 1/2	12	15/16	18	4	7/8
9 1/8	8	13/16	12 3/4	4	3/4		13 5/8	12	15/16	18 1/8	4	7/8
9 1/4	8	13/16	12 7/8	4	3/4		13 3/4	12	15/16	18 1/4	4	7/8
9 3/8	8	13/16	13	4	3/4		13 7/8	12	15/16	18 3/8	4	7/8
9 1/2	8	13/16	13 1/8	4	3/4		14	12	15/16	18 1/2	4	7/8
9 5/8	8	13/16	13 1/4	4	3/4		14 1/8	12	15/16	18 5/8	4	7/8
9 3/4	8	13/16	13 1/2	4	3/4		14 1/4	12	15/16	18 3/4	4	7/8
9 7/8	8	13/16	13 5/8	4	3/4		14 3/8	12	15/16	18 7/8	4	7/8
10	8	13/16	13 3/4	4	3/4		14 1/2	12	15/16	19 1/8	4	7/8
10 1/8	8	15/16	13 7/8	4	3/4		14 5/8	12	15/16	19 1/4	4	7/8
10 1/4	8	15/16	14	4	3/4		14 3/4	12	15/16	19 3/8	4	7/8
10 3/8	8	15/16	14 1/8	4	3/4		14 7/8	12	15/16	19 1/2	4	7/8
							15	12	15/16	19 5/8	4	7/8

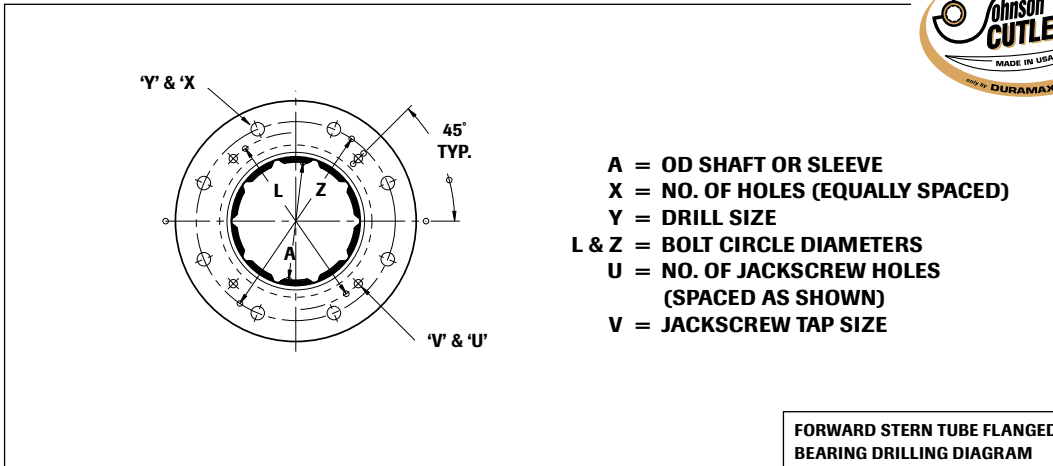


1074 Kenran Industrial Dr.
St. Louis, MO 63137
Phone: 1-800-381-9968

HUMCO SHAFT ACCESSORIES

Duramax Johnson Cutless® Forward Stern Tube Bearings Drilling Diagram

FORWARD STERN TUBE BEARINGS



FORWARD STERN TUBE FLANGED BEARING DRILLING DIAGRAM

ALL DIMENSIONS IN INCHES

FORWARD STERN TUBE														
OD SHAFT OR SLEEVE	NO. OF HOLES	DRILL SIZE	BOLT CIRCLE DIAMETERS	BOLT CIRCLE DIAMETERS	NO. OF JACKSCREW	JACKSCREW TAP SIZE		OD SHAFT OR SLEEVE	NO. OF HOLES	DRILL SIZE	BOLT CIRCLE DIAMETERS	BOLT CIRCLE DIAMETERS	NO. OF JACKSCREW	JACKSCREW TAP SIZE
A	X	Y	Z	L	U	V		A	X	Y	Z	L	U	V
								10 1/2	8	15/16	16 1/8	14 1/4	4	3/4
6	8	11/16	10 1/8	9	4	1/2		10 5/8	8	15/16	16 1/8	14 3/8	4	3/4
6 1/8	8	11/16	10 1/8	9 1/8	4	1/2		10 3/4	8	15/16	16 1/8	14 1/2	4	3/4
6 1/4	8	11/16	10 1/8	9 1/4	4	1/2		10 7/8	8	15/16	16 1/2	14 7/8	4	3/4
6 3/8	8	11/16	10 1/8	9 3/8	4	1/2		11	8	15/16	16 1/2	15 1/8	4	3/4
6 1/2	8	13/16	11 3/8	9 5/8	4	1/2		11 1/8	8	15/16	16 1/2	15 1/4	4	3/4
6 5/8	8	13/16	11 3/8	9 3/4	4	1/2		11 1/4	8	15/16	16 7/8	15 3/8	4	3/4
6 3/4	8	13/16	12	10	4	1/2		11 3/8	8	15/16	16 7/8	15 5/8	4	3/4
6 7/8	8	13/16	12	10 1/8	4	1/2		11 1/2	8	15/16	16 7/8	15 3/4	4	3/4
7	8	13/16	12	10 1/4	4	5/8		11 5/8	12	15/16	17 1/4	15 7/8	4	3/4
7 1/8	8	13/16	12 3/8	10 3/8	4	5/8		11 3/4	12	15/16	17 1/4	16	4	3/4
7 1/4	8	13/16	12 3/8	10 1/2	4	5/8		11 7/8	12	15/16	17 1/4	16 1/8	4	3/4
7 3/8	8	13/16	12 3/8	10 3/4	4	5/8		12	12	15/16	17 5/8	16 3/8	4	3/4
7 1/2	8	13/16	12 3/4	10 7/8	4	5/8		12 1/8	12	15/16	17 5/8	16 1/2	4	3/4
7 5/8	8	13/16	12 3/4	11	4	5/8		12 1/4	12	15/16	17 5/8	16 5/8	4	3/4
7 3/4	8	13/16	12 3/4	11 1/8	4	5/8		12 3/8	12	15/16	18	16 3/4	4	3/4
7 7/8	8	13/16	13 1/8	11 1/4	4	5/8		12 1/2	12	15/16	18	16 7/8	4	3/4
8	8	13/16	13 1/8	11 5/8	4	5/8		12 5/8	12	15/16	18	17	4	3/4
8 1/8	8	13/16	13 1/8	11 3/4	4	5/8		12 3/4	12	15/16	18 3/8	17 1/8	4	3/4
8 1/4	8	13/16	13 1/2	11 7/8	4	5/8		12 7/8	12	15/16	18 3/8	17 1/4	4	3/4
8 3/8	8	13/16	13 1/2	12	4	5/8		13	12	15/16	18 3/8	17 1/2	4	7/8
8 1/2	8	13/16	13 1/2	12 1/8	4	5/8		13 1/8	12	15/16	18 7/8	17 5/8	4	7/8
8 5/8	8	13/16	13 7/8	12 1/4	4	5/8		13 1/4	12	15/16	18 7/8	17 3/4	4	7/8
8 3/4	8	13/16	13 7/8	12 3/8	4	5/8		13 3/8	12	15/16	18 7/8	17 7/8	4	7/8
8 7/8	8	13/16	13 7/8	12 1/2	4	5/8		13 1/2	12	15/16	19 1/4	18	4	7/8
9	8	13/16	14 1/4	12 5/8	4	3/4		13 5/8	12	15/16	19 1/4	18 1/8	4	7/8
9 1/8	8	13/16	14 1/4	12 3/4	4	3/4		13 3/4	12	15/16	19 1/4	18 1/4	4	7/8
9 1/4	8	13/16	14 1/4	12 7/8	4	3/4		13 7/8	12	15/16	19 5/8	18 3/8	4	7/8
9 3/8	8	13/16	14 5/8	13	4	3/4		14	12	15/16	19 5/8	18 1/2	4	7/8
9 1/2	8	13/16	14 5/8	13 1/8	4	3/4		14 1/8	12	15/16	19 5/8	18 5/8	4	7/8
9 5/8	8	13/16	14 5/8	13 1/4	4	3/4		14 1/4	12	15/16	20	18 3/4	4	7/8
9 3/4	8	13/16	15	13 1/2	4	3/4		14 3/8	12	15/16	20	18 7/8	4	7/8
9 7/8	8	13/16	15	13 5/8	4	3/4		14 1/2	12	15/16	20	19 1/8	4	7/8
10	8	13/16	15	13 3/4	4	3/4		14 5/8	12	15/16	20 3/8	19 1/4	4	7/8
10 1/8	8	15/16	15 3/4	13 7/8	4	3/4		14 3/4	12	15/16	20 3/8	19 3/8	4	7/8
10 1/4	8	15/16	15 3/4	14	4	3/4		14 7/8	12	15/16	20 5/8	19 1/2	4	7/8
10 3/8	8	15/16	15 3/4	14 1/8	4	3/4		15	12	15/16	20 5/8	19 5/8	4	7/8