



1074 Kenran Industrial Dr.
St. Louis, MO 63137
Phone: 1-800-381-9968

HUMCO SHAFT ACCESSORIES

Johnson® Bulkhead Stuffing Box: Grease Service



Bulkhead Stuffing Box Dimensions —

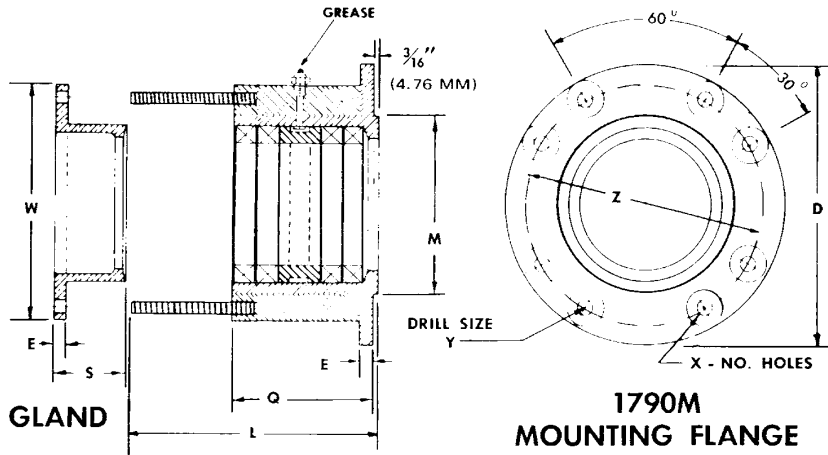


FIG. 1790M

(FIG. 1790M — GREASE SERVICE)

INCHES MM	O.D. SHAFT OR SLEEVE JOURNAL FIG. 1790M AND CODE NO.	WITH MALE PILOT ONLY J.R. PART No. 260005	STUFFING BOX FLANGE DIAMETER	STUFFING BOX FLANGE THICKNESS	MALE PILOT DIAMETER	STUFFING BOX LENGTH	OVERALL LENGTH	GLAND LENGTH	GLAND FLANGE DIAMETER	NUMBER OF HOLES	DRILL SIZE	HOLE SPAN	PACKING O.D.	PACKING SIZE	NUMBER OF PACKING RINGS
			D	E	M	Q	L	S	W	X	Y	Z	INCHES MM	INCHES MM	
2 50.80	0200	681	5 3/4 146.05	1 1/2 6.35	3 1/4 82.55	2 1/2 63.50	4 1/16 119.06	1 1/4 31.75	5 1/4 133.35	8	1/16 14.288	4 1/2 114.30	2 3/4 69.85	3/8 9.53	4
2 1/4 57.15	0214	683	6 152.40	1 1/2 6.35	3 1/2 88.90	2 1/2 63.50	4 1/16 119.06	1 1/4 31.75	5 1/2 139.70	8	1/16 14.288	4 3/4 120.65	3 76.20	3/8 9.53	4
2 1/2 63.50	0212	685	6 1/4 158.75	1 1/2 9.53	3 3/4 95.25	2 5/8 66.68	4 1/16 122.24	1 1/8 34.93	5 3/4 146.05	8	1/16 14.288	5 127.00	3 1/4 82.55	3/8 9.53	4
2 3/4 69.85	0234	687	6 1/2 165.10	1 1/2 9.53	4 101.60	2 5/8 66.68	4 1/16 122.24	1 3/8 34.93	6 152.40	8	1/16 14.288	5 1/2 139.70	3 1/2 88.90	3/8 9.53	4
3 76.20	0300	689	7 1/2 190.50	3/8 11.11	4 3/4 120.65	3 1/8 77.79	5 1/4 133.35	1 1/8 36.52	7 177.80	8	1/16 17.463	6 1/4 158.75	4 101.60	1/2 12.70	4
3 1/4 82.55	0314	691	7 1/2 190.50	3/8 11.11	4 3/4 120.65	3 1/8 77.79	5 1/4 133.35	1 1/8 36.52	7 177.80	8	1/16 17.463	6 1/4 158.75	4 1/4 107.95	1/2 12.70	4
3 1/2 88.90	0312	693	8 1/8 206.38	5/8 15.88	5 1/4 133.35	3 1/4 82.55	5 5/8 142.88	1 5/8 41.28	7 5/8 193.68	8	1/16 17.463	6 3/4 171.45	4 1/2 114.30	1/2 12.70	4
3 3/4 95.25	0334	695	8 1/8 206.38	5/8 15.88	5 1/4 133.35	3 1/4 82.55	5 5/8 142.88	1 5/8 41.28	7 5/8 193.68	8	1/16 17.463	6 3/4 171.45	4 3/4 120.65	1/2 12.70	4
4 101.60	0400	697	8 5/8 219.08	5/8 15.88	5 3/4 146.05	3 3/4 82.55	5 5/8 142.88	1 5/8 41.28	8 1/8 206.38	8	1/16 17.463	7 1/4 184.15	5 127.00	1/2 12.70	4
4 1/4 107.95	0414	699	8 3/8 219.08	5/8 15.88	5 3/4 146.05	3 1/4 82.55	5 5/8 142.88	1 5/8 41.28	8 1/8 206.38	8	1/16 17.463	7 1/4 184.15	5 1/4 133.35	1/2 12.70	4
4 1/2 114.30	0412	701	9 3/8 238.13	3/4 19.05	6 1/2 165.10	3 5/8 92.08	6 1/4 158.75	1 7/8 47.63	8 7/8 225.43	8	1/16 17.463	8 203.20	5 3/4 146.05	5/8 15.88	4
4 3/4 120.65	0434	703	9 3/8 238.13	3/4 19.05	6 1/2 165.10	3 5/8 92.08	6 1/4 158.75	1 7/8 47.63	8 7/8 225.43	8	1/16 17.463	8 203.20	6 152.40	5/8 15.88	4
5 127.00	0500	705	10 1/8 257.18	3/4 19.05	7 1/4 184.15	4 1/4 107.95	7 5/8 193.68	2 3/8 60.33	9 5/8 244.48	8	1/16 17.463	8 3/4 222.25	6 1/2 165.10	3/4 19.05	4
5 1/4 133.35	0514	707	10 1/8 257.18	3/4 19.05	7 1/4 184.15	4 1/4 107.95	7 5/8 193.68	2 3/8 60.33	9 5/8 244.48	8	1/16 17.463	8 3/4 222.25	6 3/4 171.45	3/4 19.05	4
5 1/2 139.70	0512	709	10 5/8 269.88	3/4 19.05	7 3/4 196.85	4 1/4 107.95	7 5/8 193.68	2 3/8 60.33	10 1/8 257.18	8	1/16 17.463	9 1/4 234.95	7 177.80	3/4 19.05	4
5 3/4 146.05	0534	711	10 5/8 269.88	3/4 19.05	7 3/4 196.85	4 1/4 107.95	7 5/8 193.68	2 3/8 60.33	10 1/8 257.18	8	1/16 17.463	9 1/4 234.95	7 1/4 184.15	3/4 19.05	4
6 152.40	0600	713	11 3/8 288.93	3/4 19.05	8 3/8 212.73	4 1/4 107.95	8 1/4 209.55	2 3/8 60.33	10 7/8 276.23	8	1/16 17.463	10 1/8 257.18	7 1/2 190.50	3/4 19.05	4
6 1/4 158.75	0614	715	11 3/8 288.93	3/4 19.05	8 3/8 212.73	4 1/4 107.95	8 1/4 209.55	2 3/8 60.33	10 7/8 276.23	8	1/16 17.463	10 1/8 257.18	7 3/4 196.85	3/4 19.05	4



1074 Kenran Industrial Dr.
St. Louis, MO 63137
Phone: 1-800-381-9968

HUMCO SHAFT ACCESSORIES

Johnson® Bulkhead Stuffing Box: Grease Service



Bulkhead Stuffing Box Dimensions —

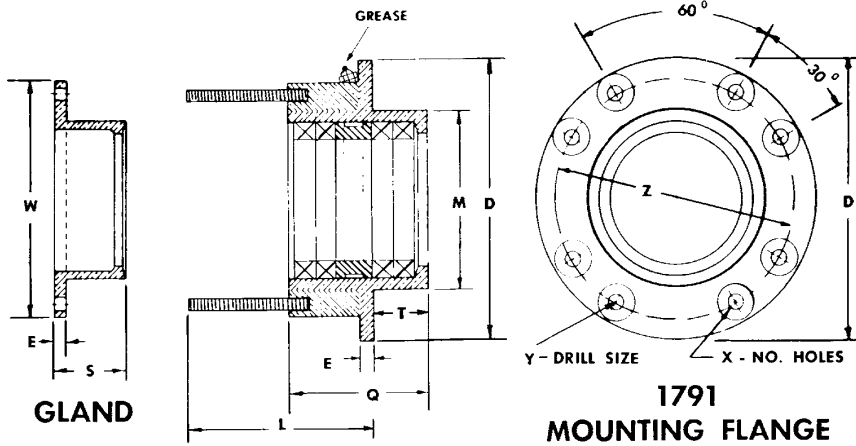


FIG. 1791

(FIG. 1791 — GREASE SERVICE)

INCHES MM	O.D. SHAFT OR SLEEVE JOURNAL	FIG. 1791 AND CODE NO.	WITH MALE PILOT ONLY													PACKING O.D.	PACKING SIZE	NUMBER OF PACKING RINGS
			J.R. PART No. 260005	STUFFING BOX FLANGE DIAMETER	STUFFING BOX FLANGE THICKNESS	MALE PILOT DIAMETER	STUFFING BOX LENGTH	OVERALL LENGTH	GLAND LENGTH	PILOT LENGTH	GLAND FLANGE DIAMETER	NUMBER OF HOLES	DRILL SIZE	HOLE SPAN				
			D	E	M	Q	L	S	T	W	X	Y	Z					
2 50.80	0200	821	5 1/4 146.05	1/4 6.35	3 1/4 82.55	2 1/2 63.50	4 1/16 119.06	1 1/4 31.75	1 25.40	5 1/4 133.35	8	1/16 14.288	4 1/2 114.30	2 3/4 69.85	3/8 9.53	4		
2 1/4 57.15	0214	823	6 152.40	1/4 6.35	3 1/2 88.90	2 1/2 63.50	4 1/16 119.06	1 1/4 31.75	1 25.40	5 1/2 139.70	8	1/16 14.288	4 3/4 120.65	3 76.20	3/8 9.53	4		
2 1/2 63.50	0212	825	6 1/4 158.75	3/8 9.53	3 3/4 95.25	2 5/8 66.68	4 13/16 122.24	1 3/8 34.93	1 25.40	5 3/4 146.05	8	1/16 14.288	5 127.00	3 1/4 82.55	3/8 9.53	4		
2 3/4 69.85	0234	827	6 1/2 165.10	3/8 9.53	4 101.60	2 5/8 66.68	4 13/16 122.24	1 3/8 34.93	1 25.40	6 152.40	8	1/16 14.288	5 1/2 139.70	3 1/2 88.90	3/8 9.53	4		
3 76.20	0300	829	7 1/2 190.50	1/2 11.11	4 3/4 120.65	3 3/8 77.79	5 1/4 133.35	1 3/4 36.52	1 3/8 33.34	7 177.80	8	1/16 17.463	6 1/4 158.75	4 101.60	1/2 12.70	4		
3 1/4 82.55	0314	831	7 1/2 190.50	1/2 11.11	4 3/4 120.65	3 3/8 77.79	5 1/4 133.35	1 3/4 36.52	1 3/8 33.34	7 177.80	8	1/16 17.463	6 1/4 158.75	4 1/4 107.95	1/2 12.70	4		
3 1/2 88.90	0312	833	8 1/8 206.38	5/8 15.88	5 1/4 133.35	3 1/4 82.55	5 5/8 142.88	1 5/8 41.28	1 3/8 34.93	7 5/8 193.68	8	1/16 17.463	6 3/4 171.45	4 1/2 114.30	1/2 12.70	4		
3 3/4 95.25	0334	835	8 1/8 206.38	5/8 15.88	5 1/4 133.35	3 1/4 82.55	5 5/8 142.88	1 5/8 41.28	1 3/8 34.93	7 5/8 193.68	8	1/16 17.463	6 3/4 171.45	4 3/4 120.65	1/2 12.70	4		
4 101.60	0400	837	8 5/8 219.08	5/8 15.88	5 3/4 146.05	3 1/4 82.55	5 5/8 142.88	1 5/8 41.28	1 1/4 31.75	8 1/8 206.38	8	1/16 17.463	7 1/4 184.15	5 127.00	1/2 12.70	4		
4 1/4 107.95	0414	840	8 5/8 219.08	5/8 15.88	5 3/4 146.05	3 1/4 82.55	5 5/8 142.88	1 5/8 41.28	1 1/4 31.75	8 1/8 206.38	8	1/16 17.463	7 1/4 184.15	5 1/4 133.35	1/2 12.70	4		
4 1/2 114.30	0412	842	9 3/8 238.13	3/4 19.05	6 1/2 165.10	3 3/8 92.08	6 1/4 158.75	1 7/8 47.63	1 1/2 38.10	8 7/8 225.43	8	1/16 17.463	8 203.20	5 3/4 146.05	3/8 15.88	4		
4 3/4 120.65	0434	844	9 3/8 238.13	3/4 19.05	6 1/2 165.10	3 3/8 92.08	6 1/4 158.75	1 7/8 47.63	1 1/2 38.10	8 7/8 225.43	8	1/16 17.463	8 203.20	6 152.40	5/8 15.88	4		
5 127.00	0500	846	10 1/8 257.18	3/4 19.05	7 1/4 184.15	4 1/4 107.95	7 5/8 193.68	2 3/8 60.33	1 7/8 47.63	9 5/8 244.48	8	1/16 17.463	8 3/4 222.25	6 1/2 165.10	3/4 19.05	4		
5 1/4 133.35	0514	848	10 1/8 257.18	3/4 19.05	7 1/4 184.15	4 1/4 107.95	7 5/8 193.68	2 3/8 60.33	1 7/8 47.63	9 5/8 244.48	8	1/16 17.463	8 3/4 222.25	6 3/4 171.45	3/4 19.05	4		
5 1/2 139.70	0512	850	10 3/4 269.88	3/4 19.05	7 3/4 196.85	4 1/4 107.95	7 5/8 193.68	2 3/8 60.33	1 7/8 47.63	10 1/8 257.18	8	1/16 17.463	9 1/4 234.95	7 177.80	3/4 19.05	4		
5 3/4 146.05	0534	852	10 3/4 269.88	3/4 19.05	7 3/4 196.85	4 1/4 107.95	7 5/8 193.68	2 3/8 60.33	1 7/8 47.63	10 1/8 257.18	8	1/16 17.463	9 1/4 234.95	7 1/4 184.15	3/4 19.05	4		
6 152.40	0600	854	11 3/8 288.93	3/4 19.05	8 3/8 212.73	4 1/4 107.95	8 1/4 209.55	2 3/8 60.33	1 7/8 47.63	10 7/8 276.23	8	1/16 17.463	10 1/8 257.18	7 1/2 190.50	3/4 19.05	4		
6 1/4 158.75	0614	856	11 3/8 288.93	3/4 19.05	8 3/8 212.73	4 1/4 107.95	8 1/4 209.55	2 3/8 60.33	1 7/8 47.63	10 7/8 276.23	8	1/16 17.463	10 1/8 257.18	7 3/4 196.85	3/4 19.05	4		