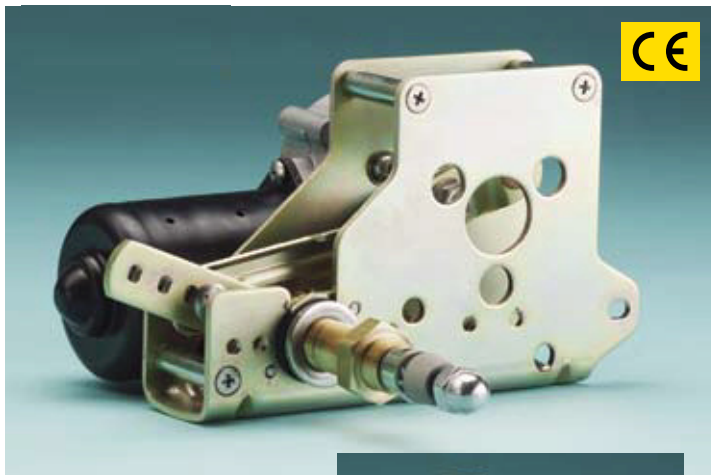




1074 Kenran Industrial Dr.
St. Louis, MO 63137
Phone: 1-800-381-9968

HUMCO WIPERS

Marinco Heavy Duty Plus Wiper Systems



AFI 3.0 Wiper Motor

The new Heavy Duty Plus 3.0 Motor is AFI's only external linkage motor. This new design easily powers a 30" Premier arm and 30" Premier blade combination to provide coverage up to 45" of windshield area.

- Available in three shaft lengths: 1", 2", and 3" (knurled arm fitting adds 2" to overall length)
- Tapered knurled drive shaft
- Factory pre-set sweep angles of 80° or 110°, with easy adjustment to 45° or 60°
- Sealed 6" wire leads, 16AWG
- For interior installations
- Adjustable right or left self parking
- 18mm diameter shaft
- Measures approximately 8-1/2" L x 4-5/8" W x 4-3/8" D (See below for detailed dimensional drawings)
- Stall torque: 165in-lbs (190 kgf/cm; 18.6 Nm)
- Stall current: 12.5 - 14.5 amps
- No load current: 0.8 - 2.0 amps
- Recommended fuse: 6 amp fuse
- Available in 12V and 24V models
- Coast to park
- RF shielded circuitry
- AFI 3.0 motors ship in individual white cartons

110° Sweep

1" Shaft Length

73111

73311

2" Shaft Length

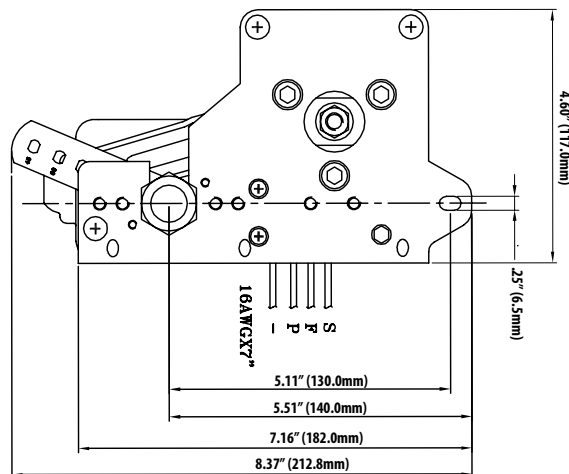
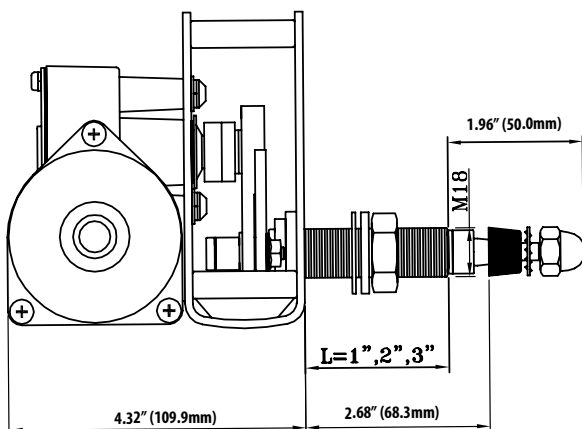
73112

73312

3" Shaft Length

73113

73313



12V

24V

12V

24V



Marinco Heavy Duty Plus Wiper Systems

PREMIER PLUS STAINLESS STEEL ADJUSTABLE SINGLE AND PANTOGRAPHIC WIPER ARM



33088

33188

**Single Arm,
Adjusts 25" to 30"**

33096

33196

**Pantographic Arm,
Adjusts 26" to 30"**

Pantographic wiper arms will ONLY function properly with wiper motor sweep angles 80° or less

- Heavy duty component design for use with the AFI-3.0 wiper motor
- Stainless steel and chrome-plated die cast construction
- Motor shaft mount with notched "teeth" and tapered design for secure operation
- Features "Articulating/Bend Back" design that locks arm in upright position for windshield cleaning
- Available in standard and pantographic styles with both versions offered in normal and wet arm configurations (see below)
- Can only be used with saddle nut/bolt design blades shown on page 650

PREMIER PLUS STAINLESS STEEL SINGLE AND PANTOGRAPHIC WET ARMS



33088W

33188W

**Single Arm,
Adjusts 25" to 30"**

33096W

33196W

**Pantographic Arm,
Adjusts 26" to 30"**

Pantographic wiper arms will ONLY function properly with wiper motor sweep angles 80° or less

- Premier wet arms add a built-in washer system to the high-end, heavy duty construction of the AFI Premier wiper arms
- Premier wet arms feature a black PVC hose that runs up the center of the arm and ends in a four-nozzle fixture that is part of the arm itself
- Each solid brass nozzle is adjustable for maximum coverage
- Tie into existing pressurized water system or use with the Below Deck Washer Kit shown on page 660
- Can only be used with saddle nut/bolt design blades shown on page 650



1074 Kenran Industrial Dr.
St. Louis, MO 63137
Phone: 1-800-381-9968

HUMCO WIPERS

Marinco Heavy Duty Wiper Systems

Premier Plus Stainless Steel Wiper Blades



- All Stainless Steel Construction
- Marine Grade Silicone Squeegee
- Extra squeegee "claws" spread pressure evenly over the length of the blade, allowing the blade to conform more easily to a curved windshield.



Stainless Steel Premier Blades

33026S	33126S	26" Blade
33028S	33128S	28" Blade
33030S	33130S	30" Blade

Black Premier Blades

33026B	33126B	26" Blade
33028B	33128B	28" Blade
33030B	33130B	30" Blade

Heavy Duty Wiper PLUS Compatibility Chart

Use this chart to determine the proper size combination of wiper arm and wiper blade for the AFI wiper motor you are using

HEAVY DUTY PLUS MOTOR	PREMIER STAINLESS STEEL WIPER BLADES				PREMIER WIPER ARMS
	AFI-3.0	33026B 33026S	33028B 33028S		
				33088	
				33088W	
				33096*	
				33096W*	

**NOTE: Pantographic wiper arms will only function properly with wiper motor sweep angles 80°*

Intelligent Wiper Switches

AFI's new microcontroller based "intelligent" switch provides all necessary wiper motor functions in one small component

- Settings for two continuous speed functions and three intermittent speed functions (2 second delay, 4 second delay, 8 second delay)
- Washer system operation function
- Blinking LED lights in switch indicate operating function
- Dual motor switch synchronizes both motors in each mode and deactivates each motor individually
- Works with 12V or 24V DC motors
- Fits standard switch size openings, requires 2.65"/67.5 mm depth
- Includes one ten pole connector with female pins and two female quick-connects



76030

76130

Single Motor Intelligent Switch

76035

76135

Double Motor Intelligent Switch



1074 Kenran Industrial Dr.
St. Louis, MO 63137
Phone: 1-800-381-9968

Marinco Heavy Duty Wiper Systems

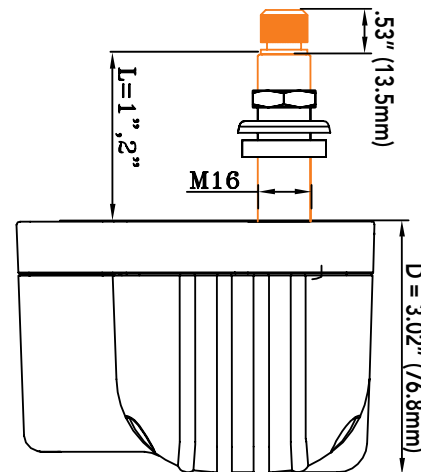
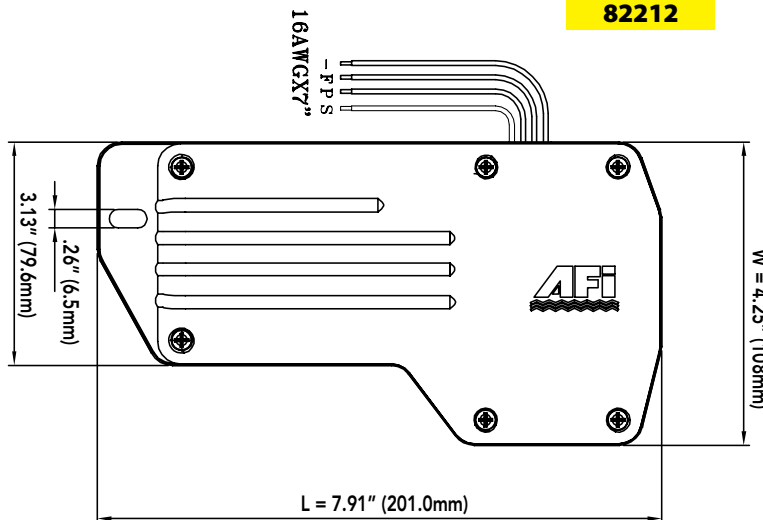
Heavy Duty Motor



AFI 2.5 Wiper Motor Waterproof Wiper Motor

- Fully sealed powder coated aluminum waterproof base and housing
- Powers a 26" Deluxe arm and Deluxe blade combination or a 24" Premier arm and Premier blade combination
- Available in two shaft lengths: 1" and 2" (knurled arm fitting adds 1/2" to overall length)
- Factory pre-set sweep angles of 80° or 110°, with easy adjustment to 45° or 60°
- Chrome plated solid brass knurled drive nut with brass and stainless steel drive shaft
- Two speed motor
- Sealed 6" wire leads, 16 AWG
- Adjustable right or left self parking
- 5/8" diameter shaft (16mm)
- Available in 12V and 24V models
- Coast to park
- RF shielded circuitry
- Includes 6 amp fuse and holder (operating switch not included)
- Measures approximately 7-7/8" L x 4-1/4" W x 3" D (see below for detailed dimensional drawings)
- Stall torque: 139 in - lbs (160 kgf/cm; 15.7 Nm)
- Stall current: 9.0 - 10.5 amps
- No load current: 1.0 -1.6 amps

	80° Sweep	110° Sweep
1" Shaft Length	82081	82011
	82181	82111
2" Shaft Length	82082	82012
	82182	82112
	82312	
	82212	



12V

12V

24V

24V

Marinco Heavy Duty Wiper Systems

Heavy Duty Motors

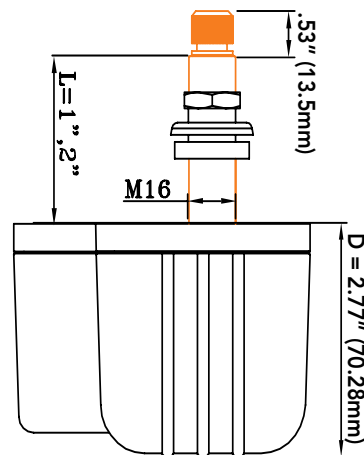
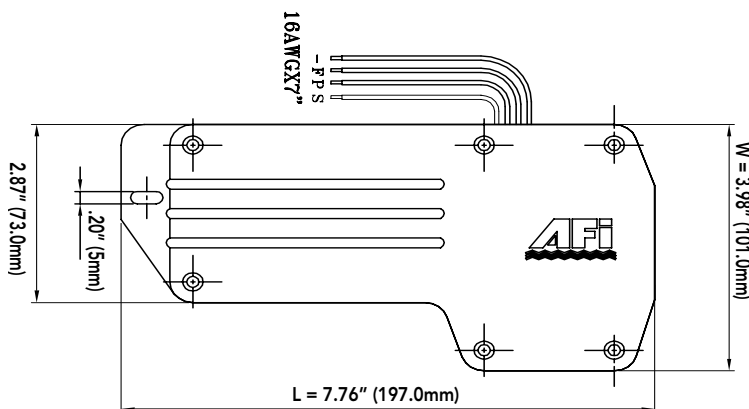


AFI 1.5 Wiper Motor Waterproof Wiper Motor

- Fully sealed powder coated aluminum waterproof base and housing
- Powers a 22" Deluxe arm and 22" Deluxe blade combination or a 20" Premier arm and 20" Premier blade combination
- Available in two shaft lengths: 1" and 2" (knurled arm fitting adds 1/2" to overall length)
- Factory pre-set sweep angles of 80° or 110°, with easy adjustment to 45° or 60°
- Chrome plated solid brass knurled drive nut with brass and stainless steel drive shaft
- Two speed motor
- Sealed 6" wire leads, 16 AWG
- Adjustable right or left self parking
- 5/8" diameter shaft (16 mm)
- Available in 12V and 24V models
- Coast to park
- RF shielded circuitry
- Includes 5 amp fuse and holder (operating switch not included)
- Measures approximately 7-3/4" L x 4" W x 2-3/4" D (see below for detailed dimensional drawings)
- Stall torque: 109 in - lbs (125 kgf/cm; 12.3 Nm)
- Stall current: 11.5 - 13.0 amps
- No load current: 0.5 - 1.2 amps

	80° Sweep	110° Sweep
1" Shaft Length	71081	71011
	71181	71111
2" Shaft Length	71082	71012
	71182	71112
		71212
		71312

3 Year Warranty

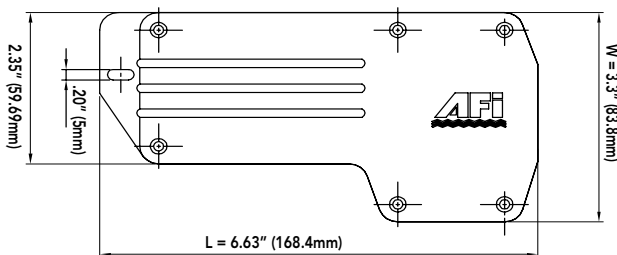
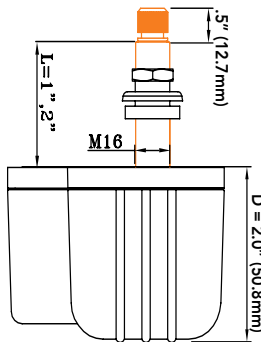




1074 Kenran Industrial Dr.
St. Louis, MO 63137
Phone: 1-800-381-9968

Marinco Heavy Duty Wiper Systems

Heavy Duty Motors



AFI-1000

Waterproof Wiper Motor

- Powers 18" Deluxe arm and 18" Deluxe blade combination at sweep sets of 80° or less
- Powers 16" Deluxe arm and 16" Deluxe blade combinations at a sweep set of 110°
- Factory pre-set sweep of 80° or 110° adjustable to 50°, 65°, 80°, or 110°
- 5/8" diameter shaft (16mm)
- Fully sealed waterproof housing made of UV stabilized, high-temperature, high-impact thermoplastic
- 12 volt heavy-duty motor with anti-rotation drive shaft
- Knurled drive shaft and solid brass arm drive nut
- Coast to park with adjustable right or left self parking
- Includes 5 amp fuse and holder (on/off switch not included)
- RF shielded circuitry
- Weight: 1.75 lbs
- Available in two shaft lengths: 1-1/2" and 2-1/2" (includes 1/2" length of knurled arm fitting)
- Measures approximately 6-5/8" L x 3-3/8"W x 2" D
- Stall torque: 55 in-lbs (63 kgf/cm; 6.2 Nm)
- Stall current: 9.8 - 10.0 amps
- No load current: 0.8-1.2 amps

3 Year Warranty

	80° Sweep	110° Sweep
1-1/2" Shaft Length	36180	36110
	36181	36111
2-1/2" Shaft Length	37180	37110
	37181	37111



Heavy Duty AFI-1000 Wiper Kit

	80° Sweep	110° Sweep
2-1/2" Shaft Length Windshield Frame Mount	37100	37200

Windshield Mount: 5/8" Shaft diameter
AFI-1000 Waterproof Wiper Motor with 14" Deluxe stainless steel blade (33105) and Deluxe adjustable (10" to 14") stainless steel arm (33007A)

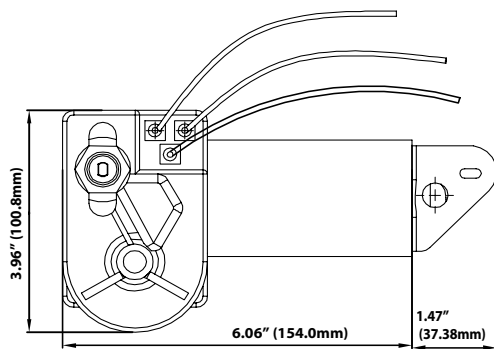
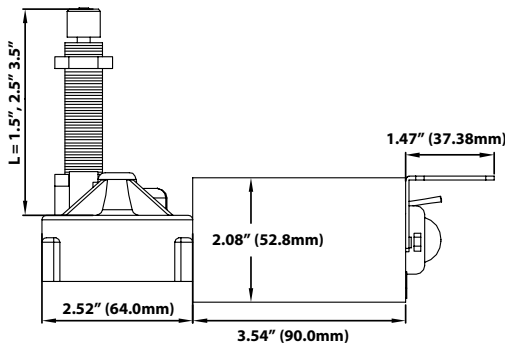
Marinco Heavy Duty Wiper Systems

Heavy Duty Motor



MRV Wiper Motor

- Easily powers 22" x 22" deluxe arm/blade combinations, or a 20" x 20" premier arm/blade combination at sweep sets of 80° or less
- Factory pre-set sweep of 80° or 110° adjustable to 45°, 60°, 80° or 110°
- 5/8" diameter shaft (16mm)
- Available in 3 shaft lengths: 1-1/2", 2-1/2" and 3-1/2" (includes 1/2" length of knurled arm fitting)
- Corrosion-resistant casing
- Heavy-duty motor with right angle drive
- Two-speed motor, can be operated as one speed
- Solid brass knurled drive nut with brass and stainless steel drive shaft
- Adjustable right or left self parking, coast to park
- Includes 5 amp fuse and holder
- Stainless steel fasteners and mounting bracket
- Use with three-position switch (not included)
- Compact size - 7-5/8" L x 4" W x 2" D
- Stall torque: 109 in-lbs (125 kgf/cm: 12.3 Nm)
- Stall current: 11.5 - 13.0 amps
- No load current: 0.5 - 1.2 amps



3 Year Warranty

	80° Sweep	110° Sweep
1-1/2" Shaft Length	34001	34011
	38001	
2-1/2" Shaft Length	34000	34010
	38000	38010
		34210
3-1/2" Shaft Length	34005	34015
	38005	

8



33025

MRV Wiper Motor Cover

33125

- Constructed of white ABS plastic
- Easily installed

12V

24V

12V

24V

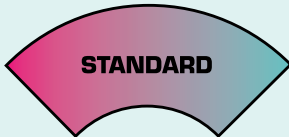


1074 Kenran Industrial Dr.
St. Louis, MO 63137
Phone: 1-800-381-9968

Marinco Heavy Duty Wiper Systems

AFI Premier Wiper Arms Feature:

- Stainless steel and heavy duty component design
- Features "Articulating/Bend-Back" design that locks arm in upright position for windshield cleaning
- Motor shaft mount with notched "teeth" and set screw for secure installation and operation
- Available in standard and pantographic styles with both versions offered in normal and wet arm configurations
- The strength to drive larger wiper blades



The dual arm set-up of a pantographic arm allows a flatter sweep pattern, which provides greater coverage in a side-to-side pattern

Riveted tip for extra strength



Adjustable length is secured with stainless steel screws



Chrome plated zinc die cast motor shaft mount



Premier Wiper Arms



Premier Stainless Steel Single Adjustable Arms

33082	33182	Adjusts 10" to 15"
33084	33184	Adjusts 15" to 20"
33086	33186	Adjusts 20" to 25"



Marinco Heavy Duty Wiper Systems

Premier Pantographic Arms



Premier Stainless Steel Pantographic Adjustable Arms

33090	33190	Adjusts 12" to 17"
33092	33192	Adjusts 17" to 22"
33094	33194	Adjusts 22" to 26"

Pantographic wiper arms will ONLY function properly with wiper motor sweep angles 80° or less

Premier Wiper Wet Arms



AFI Premier wiper wet arms combine the heavy-duty construction and materials of the Premier wiper arm line with a built-in wet arm system that allows for a clean and easy installation of a washer system. A simple and easy way to keep your windshield clean, the Premier wet arms feature a black PVC hose that runs up the center of the arm and ends in a four-nozzle fixture that is an integral part of the wiper arm itself. Each solid brass nozzle is adjustable to provide a maximum coverage spray pattern for most any windshield. Premier wet arms can tie into an existing pressurized water system, or can be used with the new Below Deck Washer Kit as shown on page 660.

Premier Single Wet Arms

33082W	33182W	Adjusts 10" to 15"
33084W	33184W	Adjusts 15" to 20"
33086W	33186W	Adjusts 20" to 25"

Premier Pantographic Wet Arms

33090W	33190W	Adjusts 12" to 17"
33092W	33192W	Adjusts 17" to 22"
33094W	33194W	Adjusts 22" to 26"



Marinco Heavy Duty Wiper Systems

Deluxe Adjustable Wiper Arm



- All arms are stainless steel
- Arm has "articulating/bend-back" feature
- Motor shaft mounting has additional set screw clamping

Deluxe Stainless Steel Adjustable Arm

33006A	33106A	Adjusts 6-3/4" to 10-1/2"
33007A	33107A	Adjusts 10" to 14"
33010A	33110A	Adjusts 14" to 20"
33060A	33160A	Adjusts 20" to 26"

Deluxe Black Adjustable Arm

33012A	33112A	Adjusts 10" to 14"
33014A	33114A	Adjusts 14" to 20"
33070A	33170A	Adjusts 18" to 24"
33061A	33161A	Adjusts 20" to 26"

Deluxe Pantographic Arms



Deluxe Adjustable Pantographic Arm

33032A	33132A	Adjusts 12" to 17"
33037A	33137A	Adjusts 17" to 22"
33062A	33162A	Adjusts 22" to 26"



30020 Base Mounting Gasket for Pantographic Arms

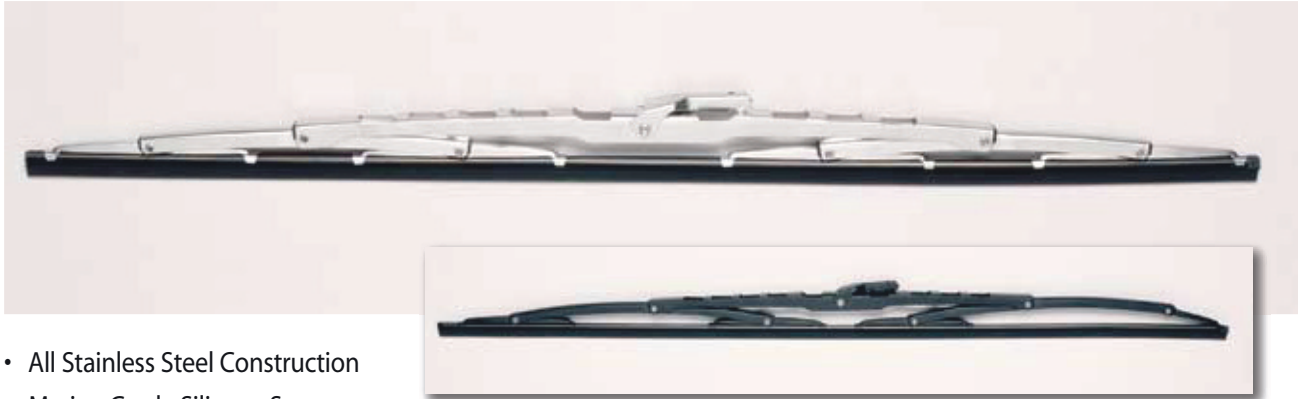
- For Use with AFI 2.5, 1.5 and MRV Motors
- Stainless steel
- Arm has "articulating/bend-back" feature
- Motor shaft mounting has additional set screw clamping

Pantographic wiper arms will ONLY function properly with wiper motor sweep angles 80° or less



Marinco Heavy Duty Wiper Systems

Premier Stainless Steel Wiper Blades



- All Stainless Steel Construction
- Marine Grade Silicone Squeegee
- Extra squeegee "claws" spread-pressure evenly over the length of the blade, allowing the blade to conform more easily to a curved windshield.

Stainless Steel Premier Blades

33021S	33121S	20" Blade
33022S	33122S	22" Blade
33024S	33124S	24" Blade

Black Premier Blades

33021B	33121B	20" Blade
33022B	33122B	22" Blade
33024B	33124B	24" Blade

8

Deluxe Stainless Steel Curved Wiper Blades



33004	33104	11-1/2" Blade
33005	33105	14" Blade
33015	33115	16" Blade

- Works well on curved or flat windshields

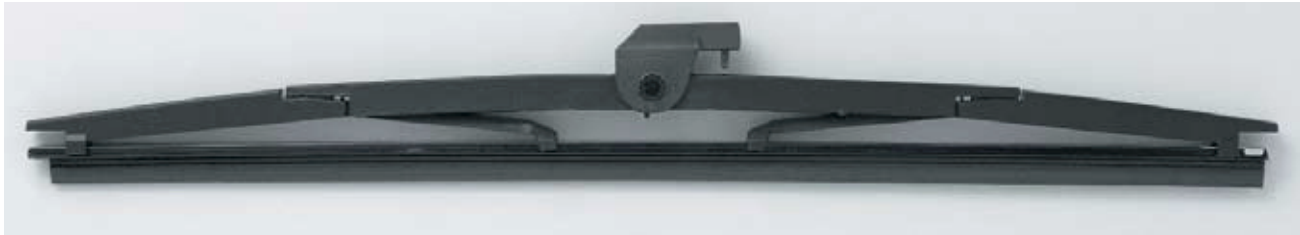
33016	33116	18" Blade
33017	33117	20" Blade
33022	33122	22" Blade
33023	33123	24" Blade
33024	33124	26" Blade



1074 Kenran Industrial Dr.
St. Louis, MO 63137
Phone: 1-800-381-9968

Marinco Heavy Duty Wiper Systems

Polymer Wiper Blades



- Silver or black glass poly-impregnated construction
- Marine-grade rubber squeegee

Black Polymer Blades

31012B	31112B	12" Blade
31014B	31114B	14" Blade
31016B	31116B	16" Blade
31018B	31118B	18" Blade
31020B	31120B	20" Blade
31022B	31122B	22" Blade
31024B	31124B	24" Blade

Silver Polymer Blades



31012S	31112S	12" Blade
31014S	31114S	14" Blade
31016S		16" Blade

Heavy Duty Wiper Compatibility Chart

Use this chart to determine the proper size combination of wiper arm and wiper blade for the AFI wiper motor you are using

HEAVY DUTY WIPER MOTORS				DELUXE STAINLESS STEEL WIPER BLADES								POLYMER WIPER BLADES						PREMIER STAINLESS STEEL WIPER BLADES							
AFI-1000	MRV	AFI-1.5	AFI-2.5	33004	33005	33015	33016	33017	33022	33023	33024	31021B 31021S	31014B 31014S	31016B 31016S	31018B	31020B	31022B	31024B	33012B 33012S	33022B 33022S		33024B 33024S			
																								33006A	
																									33007A
																									33010A
																									33012A
																									33014A
																									33070A
																									33060A 33061A
																									33032A*
																									33037A*
																									33062A
																									33082
																									33082W
																									33084 33084W
																									33086 33086W
																									33090* 33090W
																									33092* 33092W
																									33094* 33094W

- ▲ Motor compatible with wiper arm only at wiper motor sweep of 80° or less.
- Wiper blade compatible with wiper arm only at wiper motor sweep angle of 80° or less.

* Pantographic wiper arms will ONLY function properly with wiper motor sweep angles up to 80° or less.

Marinco Heavy Duty Windshield Washer Kit

Add-On Windshield Washer Kit



- Can be used on new or existing AFI Deluxe wiper arm and blade sets
- Kit includes parts to outfit two wiper arms
- Sprayer fittings (kit includes two) each have four adjustable brass nozzles to provide maximum spray coverage for most any windshield
- Plastic parts are numbered to make installation easy

Complete Windshield Washer Kit

33505

33515

Includes the following parts:

- Water tank with mounting bracket
- 12 Volt pump motor
- Under deck tee fitting
- Thru deck fitting and hardware
- Below deck clear tubing (16 ft.)
- Above deck black tubing (6 ft.)
- Large and small rivet clips
- Wiper arm clips
- Sprayer fittings with clamps

Above Deck Windshield Washer Kit

33514

Includes the following parts:

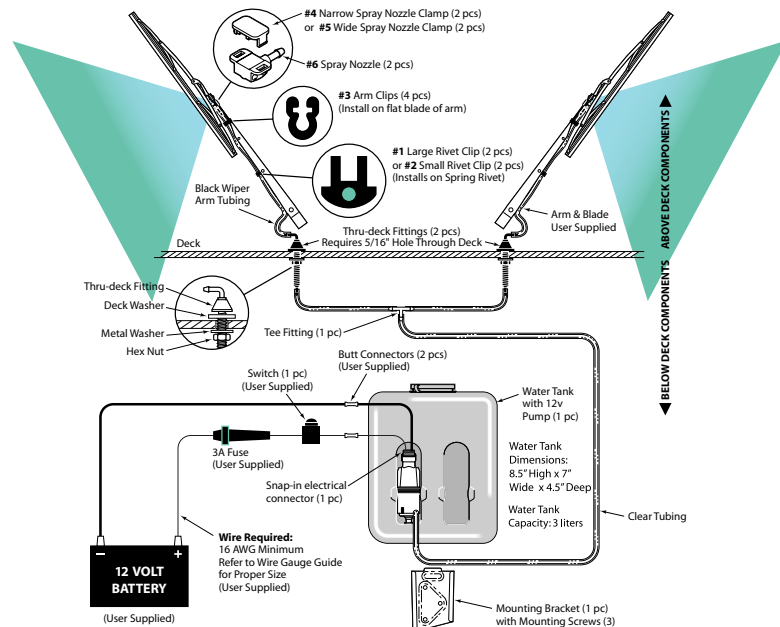
- Thru deck fitting and hardware
- Above deck black tubing (6 ft.)
- Large and small rivet clips
- Wiper arm clips
- Sprayer fittings with clamps

Below Deck Windshield Washer Kit

33513

Includes the following parts:

- Water tank with mounting bracket
- 12 Volt pump motor
- Under deck tee fitting
- Thru deck fitting and hardware
- Below deck clear tubing (16 ft.)

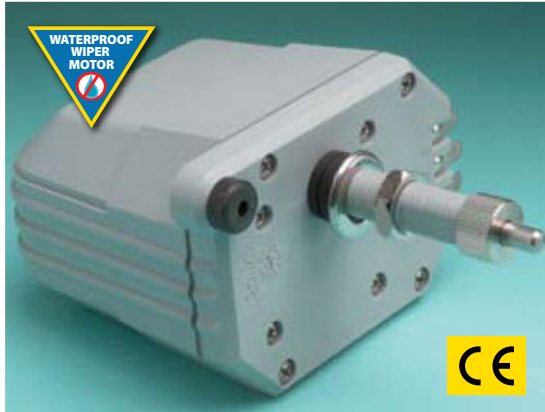




1074 Kenran Industrial Dr.
St. Louis, MO 63137
Phone: 1-800-381-9968

Marinco Standard Wiper Systems

Standard Motors



AFI-500 Wiper Motor

80° Sweep

110° Sweep

2-1/2" Shaft Length
Windshield Frame Mount

35500

35510

35501

- Powers up to 14" x 14" arm/blade combinations
- Waterproof housing made of UV stabilized, high-temperature, high-impact thermoplastic
- Maximum current draw: 2 amps
- 80° or 110° adjustable sweep, adjustable right or left self-parking
- Shaft diameter: 1/2"
- For external use in open cabin boats
- Dimensions: 4-1/4" L x 2-3/4" W x 3-3/4" D



AFI-500 Wiper Kit

80° Sweep

110° Sweep

2-1/2" Shaft Length
Windshield Frame Mount

30004

30005

Windshield Mount: 1/2" Shaft diameter

AFI-500 Waterproof Wiper Motor with 11-1/2" Deluxe stainless steel curved blade (33004) and Deluxe adjustable (6-3/4" to 10-1/2") stainless steel arm (33006AS)



WMW Wiper Motor

110° Sweep

2-1/2" Shaft Length
Windshield Frame Mount

35010

- Powers up to 14" x 14" arm/blade combinations
- Water-resistant sealed motor
- Chrome-plated brass case and shaft housing
- Stainless steel front plate and wiper shaft
- Maximum current draw: 2 amps
- Shaft diameter: 3/8"
- For external use in open cabin boats
- Dimensions: 4-1/4" L x 2-3/4" W x 3-1/2" D



WMW Wiper Kit

80° Sweep

110° Sweep

2-1/2" Shaft Length
Windshield Frame Mount

30000

30002

Windshield Mount: 3/8" shaft diameter

AFI WMW Wiper Motor with 11-1/2" Deluxe stainless steel curved blade (33004) and Deluxe adjustable (6-3/4" to 10-1/2") stainless steel arm (33006AS)



1074 Kenran Industrial Dr.
St. Louis, MO 63137
Phone: 1-800-381-9968

Marinco Standard Wiper Systems



Recommended For Interior Installations Only

STD Wiper Motor

80° Sweep

110° Sweep

2-1/2" Shaft Length
Windshield Frame Mount

35040

35045

3-1/2" Shaft Length
Deck Mount

35050

- Powers up to 14" x 14" arm/blade combinations
- Corrosion-proof aluminum alloy case with black crackle finish
- Base & mounting plates are chrome plated naval brass
- Maximum current draw: 2 amps
- 80° or 110° adjustable sweep, adjustable right or left self-parking
- Shaft diameter: 3/8" windshield mount, 1/2" deck mount
- Dimensions: 3-7/8" L x 2-1/4" W x 3-1/2" D

Standard Wiper Kit



80° Sweep

110° Sweep

2-1/2" Shaft Length
Windshield Frame Mount

32000

32002

3-1/2" Shaft Length
Deck Mount

32001

32003

Windshield Mount: 3/8" shaft diameter

Deck Mount: 1/2" shaft diameter

AFI STD Wiper Motor with 11-1/2" Deluxe stainless steel curved blade (33004) and Deluxe adjustable (6-3/4" to 10-1/2") stainless steel arm (33006AS)

- Deck Mount version includes deck mount adapter kit (33000)

Deluxe Adjustable Wiper Arm



Deluxe Stainless Steel Adjustable Arm

33006AS

33106AS

Adjusts 6-3/4" to 10-1/2"

33007AS

33107AS

Adjusts 10" to 14"

- **For use with AFI-500, STD and WMW Motors only**
- Built specifically for smaller standard AFI motors
- New wiper motor shaft fitting eliminates the need for an adapter

All AFI deluxe wiper arms come with an articulating feature which allows the arm to lock into position when it is bent back for window washing.



1074 Kenran Industrial Dr.
St. Louis, MO 63137
Phone: 1-800-381-9968

Marinco Standard Wiper Systems

Standard Adjustable Wiper Arms



33002 Adjusts 7-1/2" to 12"

33020 Adjusts 10" to 14"

- Stainless steel
- Use blades 33001 or 33019

Deluxe Stainless Steel Curved Wiper Blades



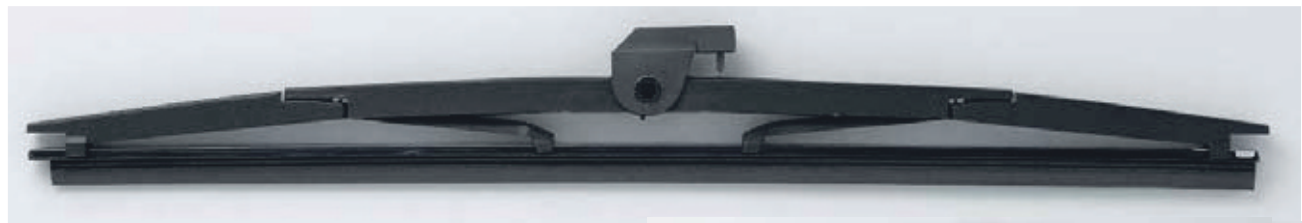
33004 **33104** 11-1/2" Blade

33005 **33105** 14" Blade

- Works well on curved or flat windshields
- Marine grade rubber squeegee

8

Polymer Wiper Blades



- Silver or black glass poly-impregnated construction



Black Polymer Blades

31012B **31112B** 12" Blade

31014B **31114B** 14" Blade

Silver Polymer Blades

31012S **31112S** 12" Blade

31014S **31114S** 14" Blade



Marinco Standard Wiper Systems

Stainless Steel Wiper Blades

Stainless Steel Standard Straight Blade



- 33001** 11" Blade
 - 33019** 14" Blade
- For Use with AFI Standard Arms Only!

Standard Wiper Compatibility Chart

Use this chart to determine the proper size combination of wiper arm and wiper blade for the AFI wiper motor you are using

STANDARD WIPER MOTORS			STAINLESS STEEL WIPER BLADES				POLYMER WIPER BLADES		WIPER ARM	
STD	WMW	AFI-500	STANDARD	DELUXE						
			33001	33019	33004	33005	31012B 31012S	31014B 31014S		
									33002	STANDARD
									33020	
									33006AS	DELUXE
									33007AS	
									33012AS	

Stainless Steel Classic Straight Blade



- 33901** 11" Blade "Hook and catch" style
- 33911** 16" Blade "Bolt-on" style
- 33919** 14" Blade "Hook and catch" style

- Replaces most standard blades in boats made before 1990
- **Not for use with currently offered AFI arms**

Stainless Steel Classic Curved Blade



- 33904** 11" Blade
- 33905** 14" Blade

- "Hook and catch" style
- Replaces 11" and 14" Deluxe blades on boats manufactured before 1990
- **Not for use with currently offered AFI arms**

Hand-Operated Wiper Blade



31000

- Chrome-plated brass handle
- Includes stainless steel 7-1/2" to 12" adjustable wiper arm, 11" blade, and all parts for installation
- Economical - an inexpensive alternative to wiper motor kit
- Requires 7/16" diameter hole for installation
- Can be installed up to 7/8" thick material
- For use on flat windshields only