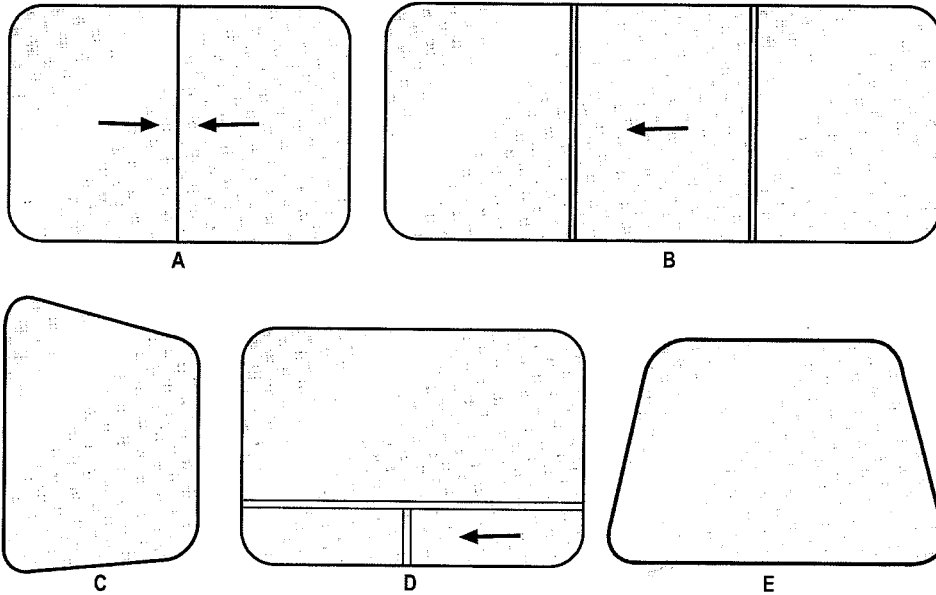




## Windshields & Side Windows

# Windshields and Side Windows

Choose from the basic designs shown here, or let us quote you on your own design.  
Swing-out windows are available in a limited number of designs.



### Available Features

- Stationary or removable sliding screens.
- Heavy-duty, satin-finish anodized aluminum frames.
- 7/32" laminated safety glass.
- 7/32", 1/4", 3/8" or 1/2" tempered safety glass.
- Clear or tinted glass.
- 3" radius corners or mitered corners.
- Positive locking handle.

### Glazing Options:

- Laminated safety glass.
- Tempered safety glass.
- Polycarbonate.
- Acrylic.

- No-tint (clear).
- Blue-green tint.
- Solar bronze tint.
- Solar gray tint.

### Ordering Information

Please supply the following information:

- Type of window (fixed, sliding, swing-out).
- Dimensions of rough opening.
- Type of glazing (see "Glazing Options").
- Mounting method (clamp ring or flange bolted).
- Overall bulkhead thickness (for clamp ring mount).
- Screens (none, fixed, sliding).
- Mitered corners or 3" radius corners.

### INSTALLATION

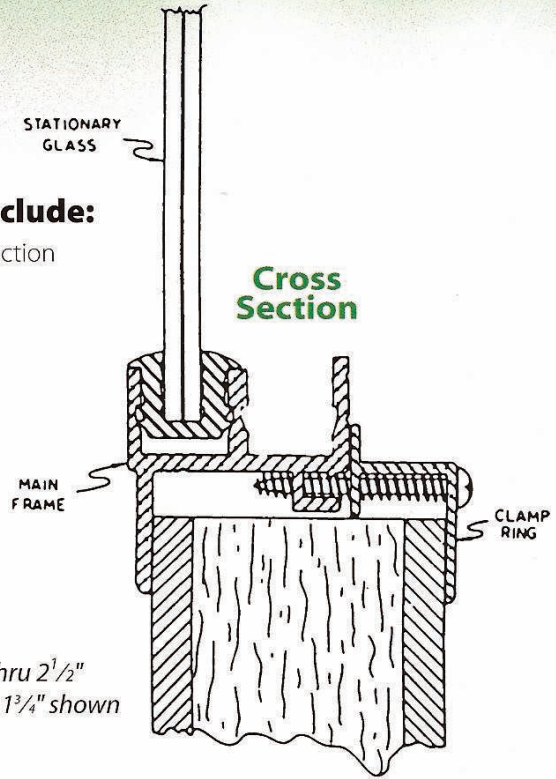
Installation is fast and simple. Windows have a two-piece construction: the main frame retains the glass and the inner clamp ring secures the main frame. The two-part window installs by inserting the main frame from the outside into the proper bedding; then screw the clamp ring to the main frame from the inside. This compresses the bulkhead between the inner and outer frames. Both frames are flanged, permitting fast installation in fiberglass, wood or metal bulkheads. Window installation does not require bulkhead drilling. The inner clamp ring also serves as a trim ring and is available for bulkheads 1/8" through 2-1/2" thick.

## Stationary or Sliding Window

# Model 200 Stationary Window

### Features for the Model 200 Stationary Window include:

- Heavy duty satin finish anodized or black painted aluminum construction
- $\frac{7}{32}$ " laminated or  $\frac{1}{4}$ ",  $\frac{3}{8}$ " or  $\frac{1}{2}$ " tempered safety glass
- Clear or tinted glass
- Vinyl weatherseals
- 3" Radius corners
- Available in any size or shape
- Clamp ring mounting for  $\frac{1}{8}$ " thru  $2\frac{1}{2}$ " Walls
- All stainless steel hardware

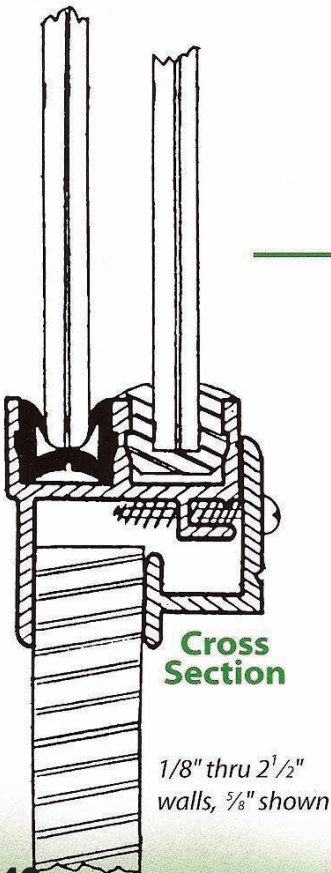


8

# Model 210 Sliding Window

### Features for the Model 210 Sliding Window include:

- Heavy duty satin finish anodized or black painted aluminum construction
- Laminated or tempered safety glass
- $\frac{7}{32}$ " clear or tinted glass
- Vinyl weatherseals
- 3" Radius corners
- Positive locking handle
- Available in any size or shape
- Clamp ring mounting for  $\frac{1}{8}$ " thru  $2\frac{1}{2}$ " Walls
- No screen
- These weathertight windows have the forward (outside) glass sliding aft to open
- All stainless steel hardware

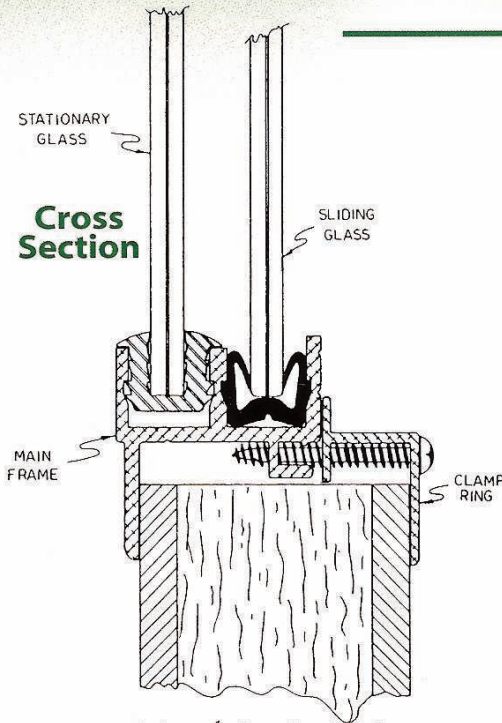


642



## Sliding or Hinged Swing Out Window

# Model 220 Sliding Window With Stationary Screen



1/8" thru 2 1/2" walls, 1 3/4" shown

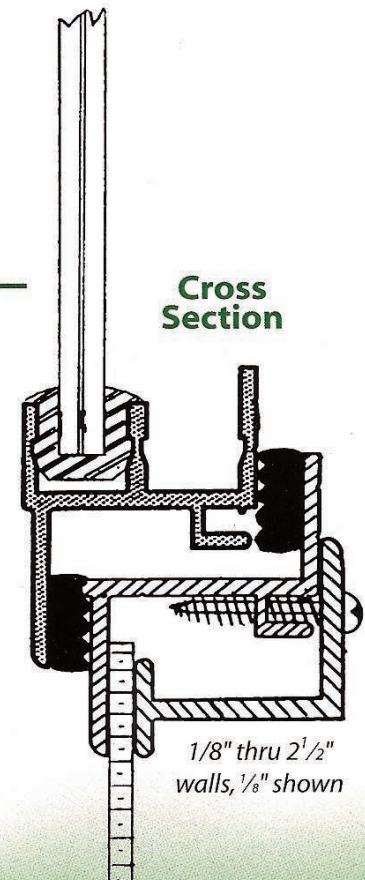
### Features for the Model 220 include:

- Heavy duty satin finish anodized or black painted aluminum construction
- Laminated or tempered safety glass
- 7/32" clear or tinted glass
- Vinyl weatherseals
- 3" Radius corners
- Positive locking handle
- Available in any size or shape
- Clamp ring mounting for 1/8" thru 2 1/2" walls
- These weathertight windows have the AFT (inside) glass sliding forward to open
- All stainless steel hardware

# Model 230 Hinged Swing Out Window

### Features for the Model 230 Hinged Window include:

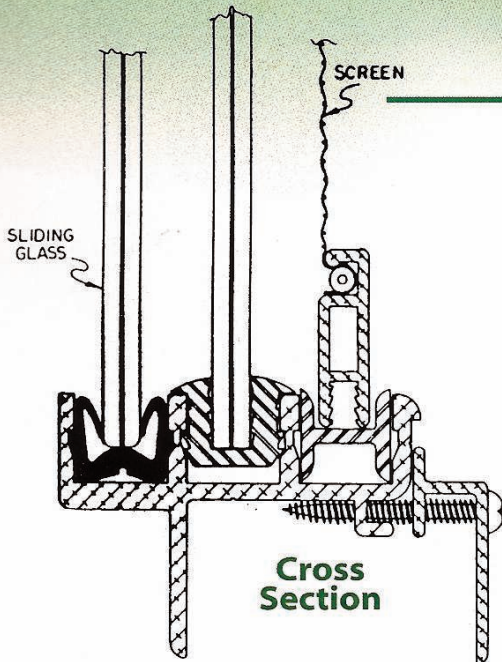
- Heavy duty satin finish anodized or black painted aluminum construction
- 7/32" safety glass, laminated or tempered, clear or tinted
- Vinyl and foam rubber weatherseals
- 3" Radius corners
- Stainless steel and chrome plated brass hardware
- Adjustable dogs for positive closure
- Available in any size or shape
- Available full swing out or top portion swing out, bottom portion fixed
- Clamp ring mounting for 1/8" thru 2 1/2" walls
- Double gasket construction





## Sliding Window

### Model 300 Sliding Window With Sliding Screen



1/8" thru 2 1/2" walls, 1/2" shown

#### Features for the Model 300 Sliding Window with Sliding Screen include:

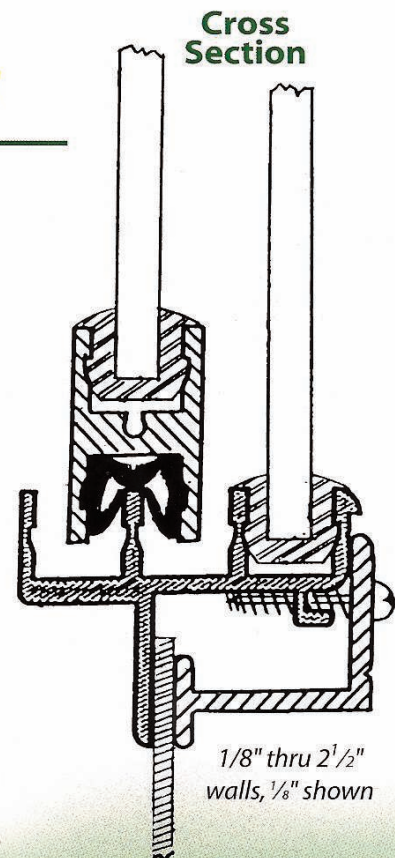
- Sliding removable screens
- Heavy duty satin finish anodized or black painted aluminum construction
- Laminated or tempered safety glass
- 7/32" clear or tinted glass
- 3" Radius corners
- Fiberglass screen cloth
- Positive locking handle
- Available in any size or shape
- Clamp ring mounting for 1/8" thru 2 1/2" walls
- All stainless steel hardware

8

### Model 310 Sliding Window

#### Features for the Model 310 Sliding Window include:

- Heavy duty satin finish anodized or black painted aluminum construction
- 7/32" laminated or 1/4", 3/8" or 1/2" tempered safety glass
- Clear or tinted glass
- Vinyl weatherseals
- 3" Radius corners
- Positive locking handle, riveted in place
- Available in any size or shape
- Horizontal or vertical sliding
- With or without stationary screen
- Clamp ring mounting for 1/8" thru 2 1/2" walls
- All stainless steel hardware



1/8" thru 2 1/2" walls, 1/8" shown