



1074 Kenran Industrial Blvd
 Saint Louis, MO 63137
 Phone: (800) 381-9968

HUMCO Sanitation

AHead Tank Marine Sanitation Device

US COAST GUARD CERTIFIED

Introducing The

AHEAD TANK™

Type II Marine Sanitation Device (MSD)



AHEAD
 Sanitation
 Systems

Broussard, LA 70518
 1-337-237-5011

The **AHEAD TANK™** is a simple, easy to use, and long lasting solution to the problem of sewage treatment for recreational and commercial boating.

The **AHEAD TANK™** is constructed of heavy-duty (HD) polyethylene using a new cutting edge rotary molding process which enables the formation of multi-treatment chambers into the internal structure of one tank. This innovative design puts the **AHEAD TANK™** clearly ahead of the competition. The **AHEAD TANK™** exceeds all of the compliance criteria regulating the industry, making it the #1 MSD in the #2 business.

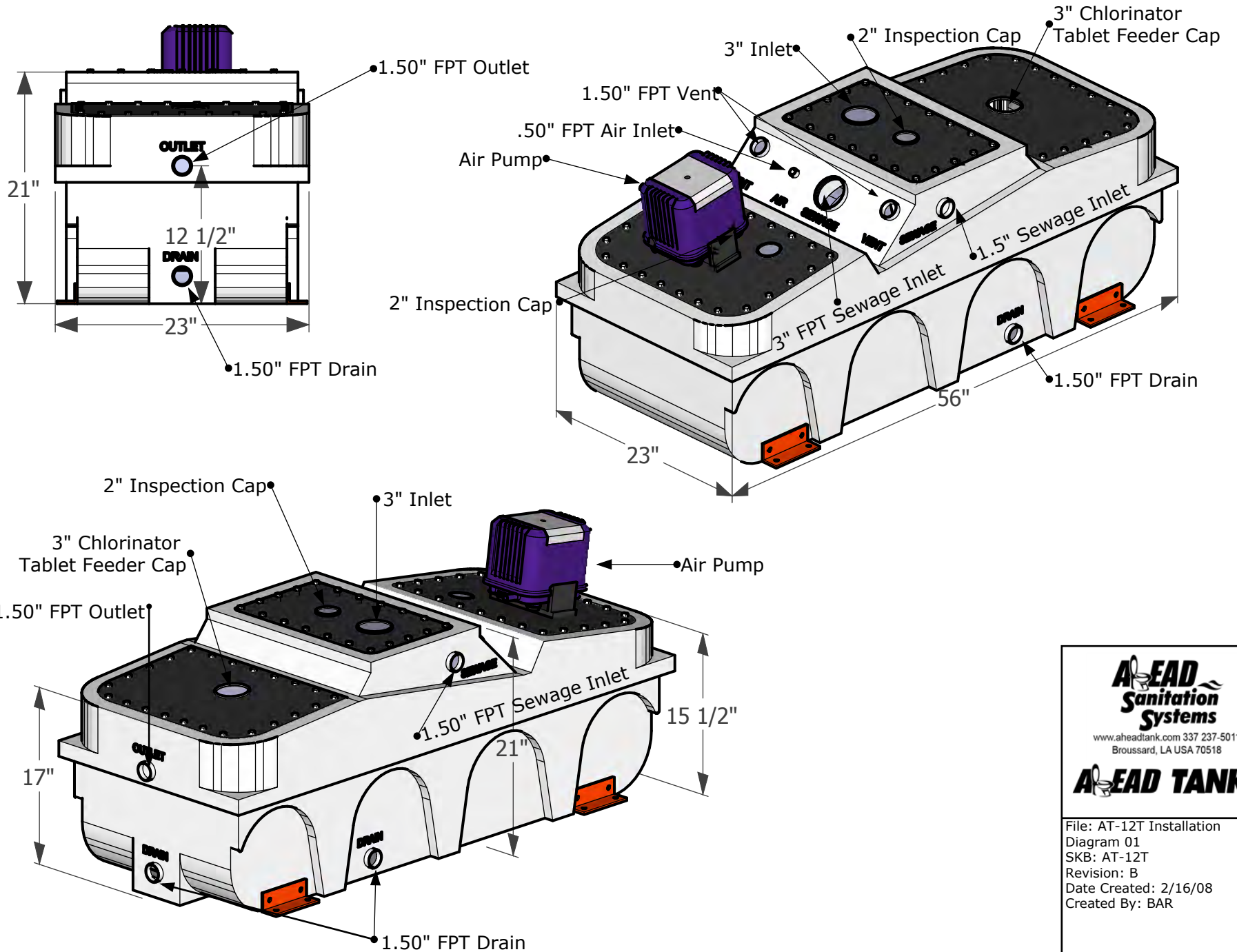
Constructed of HD High Density Polyethylene making The **AHEAD TANK™**:

- Lightweight
- Corrosion Resistant
- Simple to Install
- Easy to Maintain

The **AHEAD TANK™** is acceptable for use on Inspected and Uninspected Vessels as defined in USCG 33 CFR 159.3 and IMO Resolution MEPC.2(VI):

- Yachts
- Houseboats
- Workboats,
- Pushboats
- Tugboats

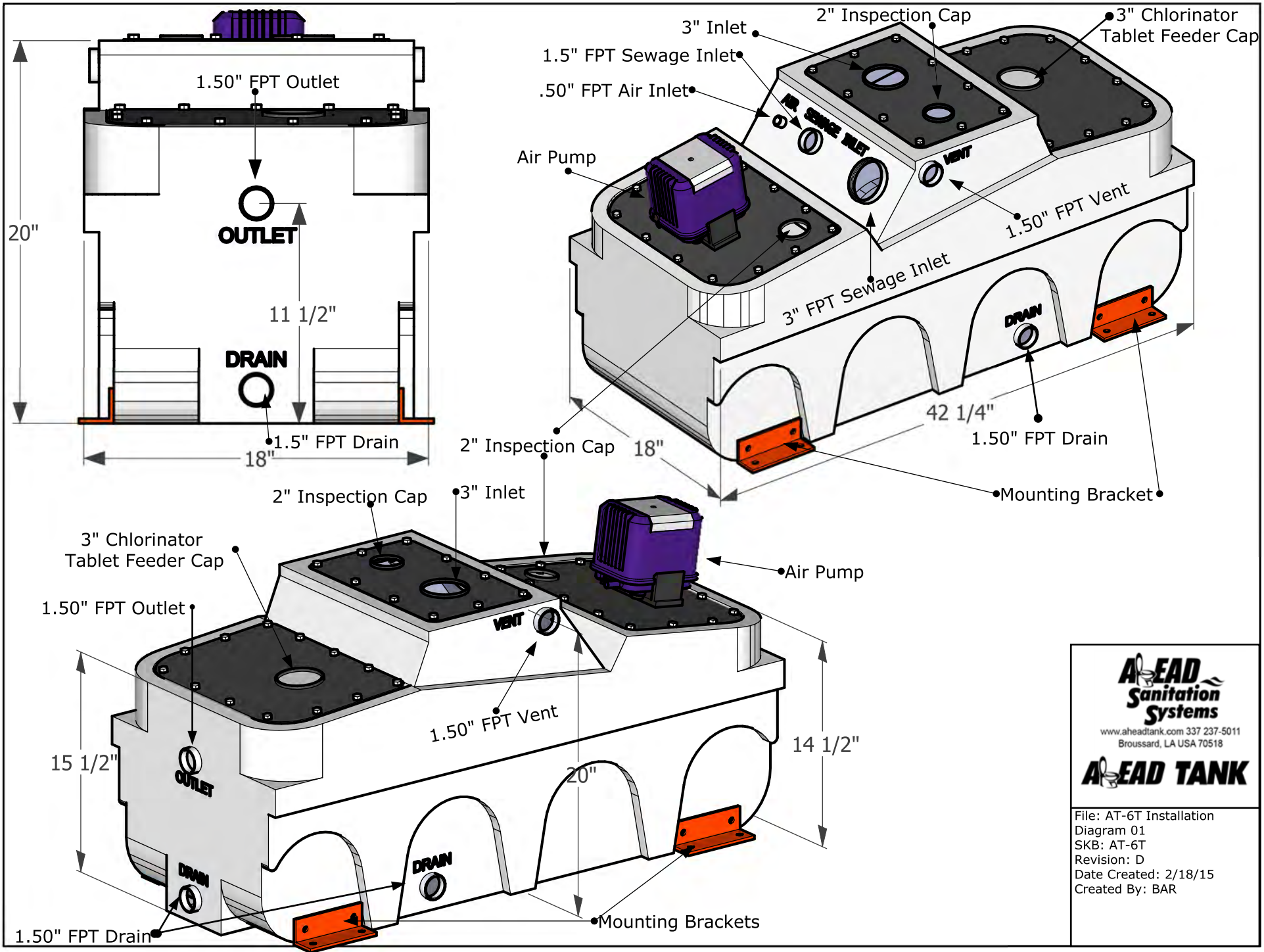
www.aheadtank.com



www.aheadtank.com 337 237-5011
Broussard, LA USA 70518

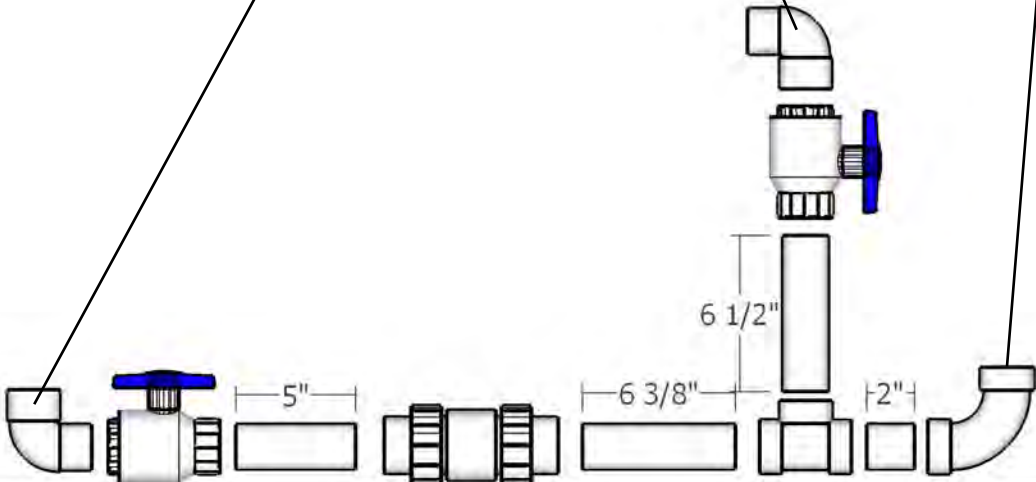
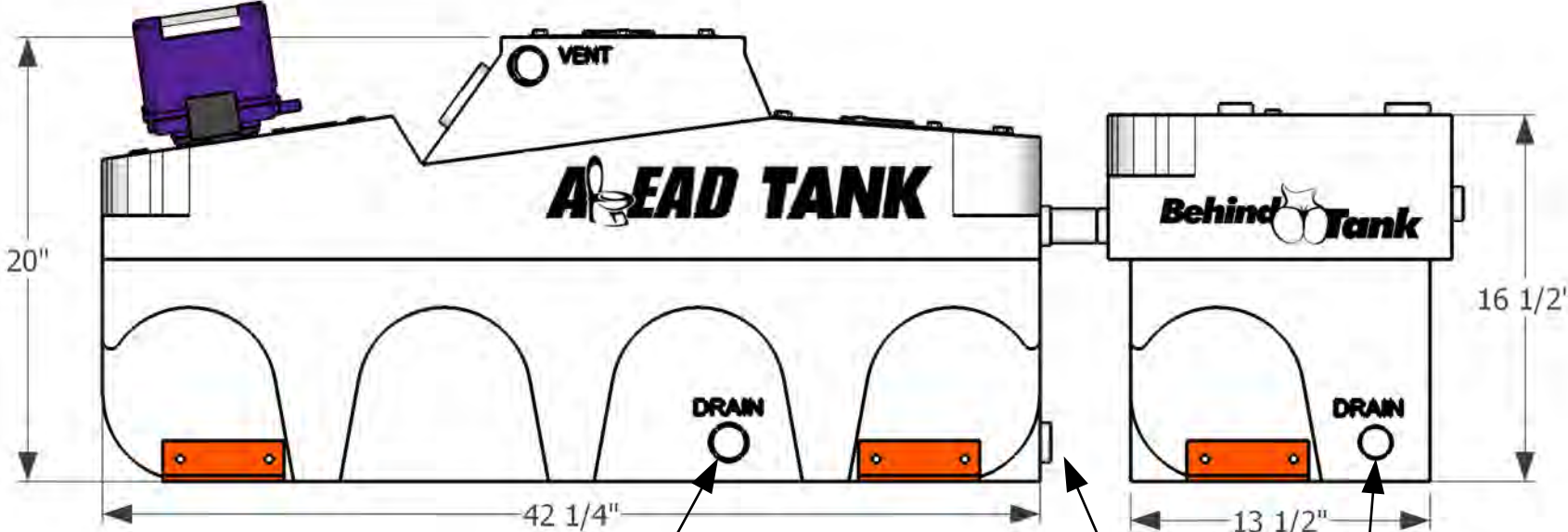


File: AT-12T Installation
Diagram 01
SKB: AT-12T
Revision: B
Date Created: 2/16/08
Created By: BAR



File: AT-6T Installation
 Diagram 01
 SKB: AT-6T
 Revision: D
 Date Created: 2/18/15
 Created By: BAR

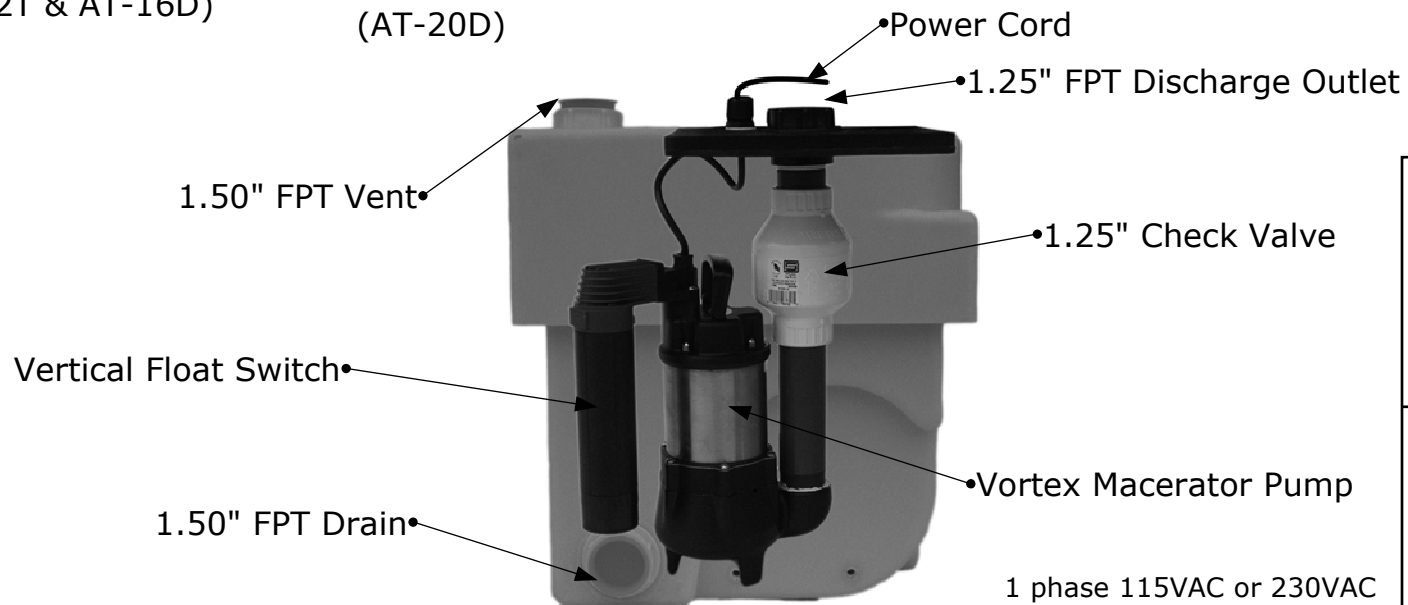
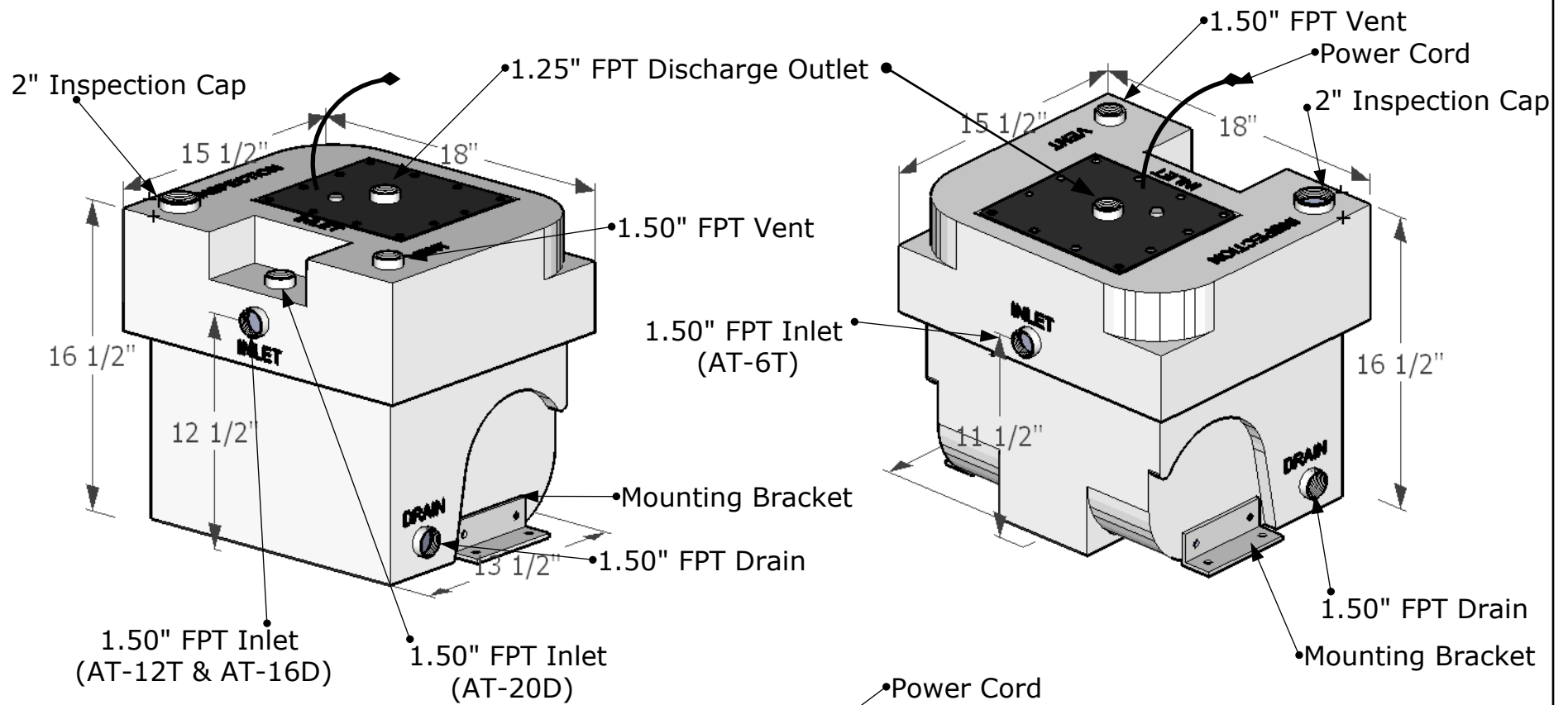
AT-6T with Behind Tank



AHEAD Sanitation Systems
 www.aheadtank.com 337 237-5011
 Broussard, LA USA 70518

Behind Tank

File: AT-6T with Behind Tank and Drain
 SKB: Behind Tank
 Revision: A
 Date Created: 2/19/15
 Created By: BAR



1 phase 115VAC or 230VAC

AHEAD
Sanitation
Systems

www.aheadtank.com 337 237-5011
Broussard, LA USA 70518

Behind Tank

File: Behind Tank
Installation Diagram 01
SKB: Behind Tank
Revision: A
Date Created: 1/11/08
Created By: BAR