



Delivers up to 1100 lumens to walkways, stairways and other small areas

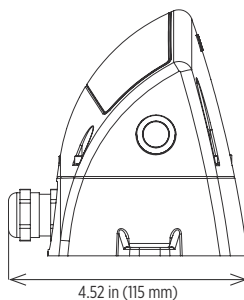
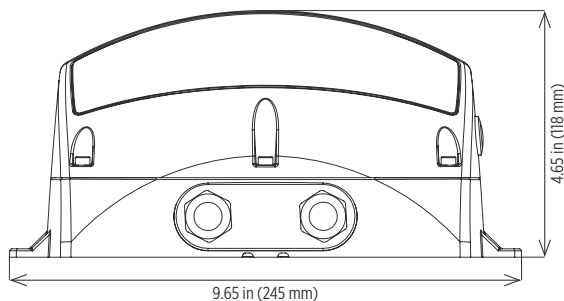
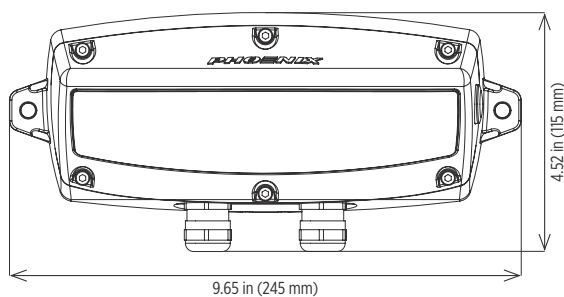
Superior customized optics

Emergency battery backup (EMB) option

Rugged construction with a contemporary design

LED technology increases efficiency, eliminates maintenance and supports green initiatives

Dimensions



Specifications

Construction	Cast aluminum housing
Finish	Thermoset powder coat
Hardware	Marine grade (316) stainless steel
Lens	Clear polycarbonate, impact-resistant, UV resistant Diffuse polycarbonate (DP), impact-resistant, UV resistant
Light source	9W, up to 1100 lumens CRI ≥ 70 CCT 5000K 50,000 hour rated life
Power source	120-277V, 50/60Hz (unswitched source required for EMB option) 4kV surge protection
Wiring	Stranded wires Cord not included - standard
Through wiring	Continuous row mounting (TW) - standard
EMB	Input power 120-277V, 50/60Hz Up to 15 watts (charging) Minimum 120 minutes run time Approximately 400 lumens Maximum height 8.11 feet
Battery	7.4V, 2500 mAh, Lithium-Ion 24 hour charge time (Li-Ion)
Ambient operating temperature	-40°C to +50°C - standard 0°C to +40°C - EMB option Contact factory for lower ambient temperature option
Weight	4.0 lb (1.8 kg)
Warranty	5 years

For IES files, see website or contact factory

Compliances

ETL/cETL Listed (*standard fixture*) to:

- UL 1598 Suitable for Wet Locations
- UL 1598A Marine Outside Type (Saltwater)
- CSA C22.2 No. 250.0

ETL/cETL Listed (*fixture with EMB option*) to:

- UL 924
- CSA STD C22.2 No. 141

CE

ABS

IP66 rated

LM79 and LM80 reports available



Ordering Information

Example: WF-10LED-TW

Fixture	Wattage/Type	Lens	Options
WF	10LED-TW	DP ²	EMB ¹

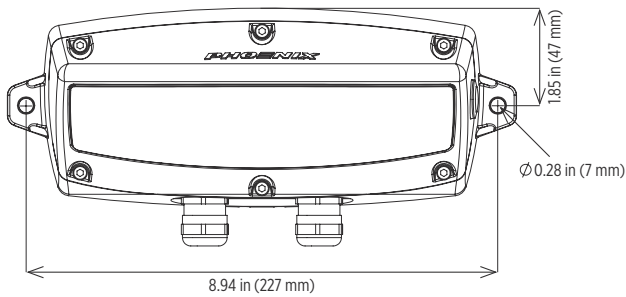
Wattage/Type	Lens	Options	Notes
10LED-TW	DP ²	EMB ¹	1 Contact factory
9W, up to 1100 lumens, continuous row mounting (TW) provided on all fixtures, install blanking plug (provided) when second cord grip not required	Diffuse polycarbonate	Emergency battery backup	2 Clear polycarbonate lens is standard

Special Projects: We may be able to accommodate your special projects, so please don't hesitate to ask about additional options. Minimum order quantities and/or extended lead times will apply. Contact your Phoenix representative with specific inquiries.

Mounting

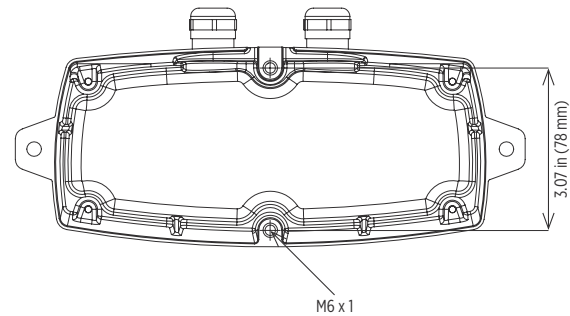
Surface Mount

Comes standard with fixture



Bracket Mount

Comes standard with fixture,
2 x M6 threaded holes on back of fixture



Product design and specifications are subject to change without notice. The most current version of this specification sheet can be found on our website: www.phoenixlighting.com.