



Durable, economic line of DC-voltage LED work lights
Lightweight, compact design ideal for use on mobile equipment
Spot and flood optics minimize glare and provide precise optical control
LED technology increases efficiency, eliminates maintenance and supports green initiatives

Key Applications

Surface mining equipment

- haul trucks • front loaders • blasthole drills • dozers • hydraulic excavator shovels

Underground mining equipment

- jumbos • scoopers • dumpers

Construction equipment

- mobile cranes • excavators • rollers

Port equipment

- material handling • reach stackers

Marine vessels

- patrol boats • fishing boats

Agricultural equipment

- combine harvester • tractors • ATVs

Forestry equipment

- harvesters • forwarders • loaders

Other applications

- utility vehicles • pick-up trucks • off-road equipment • forklift trucks • maintenance of Way (MOW) railroad maintenance equipment • solar and generator powered lighting

Compliances

CE

IP69K

CISPR 25 - Class 4

Specifications

Construction	Die cast aluminum housing
Finish	Black powder coat
Hardware	Stainless steel
Lens	Impact-resistant polymer - standard Spot (SP) and flood (FL) optics Precise optical control minimizes glare
Light source	64W, up to 7000 lumens (80W) Cool white (6000K) LEDs 50,000 hour rated life
Power source	Nominal voltage range: 12-24V DC Input voltage range: 9-32V DC 17.00 inch (432 mm) cord with Deutsch connector
Wiring	Stranded wires
Ambient operating temperature	-40°C to +85°C
Shock	ISO 16750-3: 2012, 50G
Vibration	up to 30G
Salt spray	IEC 60068-2-11
Mounting	Stainless steel harp
Warranty	1 year

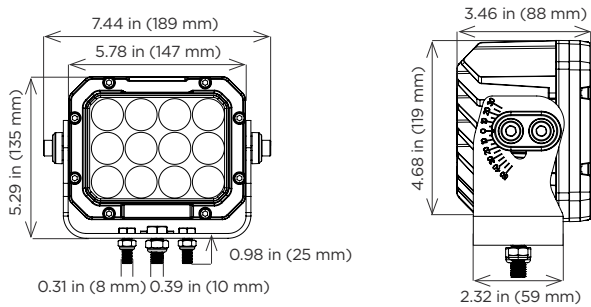
For IES files, see website or contact factory

Sturdilite® Move Series HI

Low-voltage LED Floodlight

PHOENIX[®]
DURABILITY X DESIGN™

Dimensions



Ordering Information

Example: MV-HI-SP

Fixture	Model	Optic
MV	HI	SP
		FL

Model	Optic
HI 64W, up to 7000 lumens	SP Spot Optic
	FL Flood Optic

Special Projects: We may be able to accommodate your special projects, so please don't hesitate to ask about additional options. Minimum order quantities and/or extended lead times will apply. Contact your Phoenix representative with specific inquiries.

Product design and specifications are subject to change without notice. The most current version of this specification sheet can be found at www.phoenixlighting.com.



Durable, economic line of DC-voltage LED work lights
Lightweight, compact design ideal for use on mobile equipment
Spot and flood optics minimize glare and provide precise optical control
LED technology increases efficiency, eliminates maintenance and supports green initiatives

Key Applications

Surface mining equipment

- haul trucks • front loaders • blasthole drills • dozers • hydraulic excavator shovels

Underground mining equipment

- jumbos • scoopers • dumpers

Construction equipment

- mobile cranes • excavators • rollers

Port equipment

- material handling • reach stackers

Marine vessels

- patrol boats • fishing boats

Agricultural equipment

- combine harvester • tractors • ATVs

Forestry equipment

- harvesters • forwarders • loaders

Other applications

- utility vehicles • pick-up trucks • off-road equipment • forklift trucks • maintenance of Way (MOW) railroad maintenance equipment • solar and generator powered lighting

Compliances

CE

IP69K

CISPR 25 - Class 4

Specifications

Construction	Die cast aluminum housing
Finish	Black powder coat
Hardware	Stainless steel
Lens	Impact-resistant polymer - standard Spot (SP) and flood (FL) optics Precise optical control minimizes glare
Light source	40W, up to 5000 lumens Cool white (6000K) LEDs 50,000 hour rated life
Power source	Nominal voltage range: 12-24V DC Input voltage range: 9-32V DC 17.00 inch (432 mm) cord with Deutsch connector
Wiring	Stranded wires
Ambient operating temperature	-40°C to +85°C
Shock	ISO 16750-3: 2012, 50G
Vibration	up to 30G
Salt spray	IEC 60068-2-11
Mounting	Stainless steel harp
Warranty	1 year

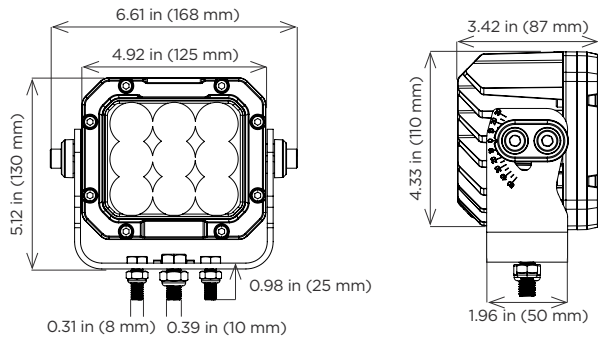
For IES files, see website or contact factory

Sturdilite® Move Series MED

Low-voltage LED Floodlight

PHOENIX[®]
DURABILITY X DESIGN™

Dimensions



Ordering Information

Example: MV-MED-SP

Fixture	Model	Optic
MV	MED	SP
		FL

Model	Optic
MED 40W, up to 5000 lumens	SP Spot Optic
	FL Flood Optic

Special Projects: We may be able to accommodate your special projects, so please don't hesitate to ask about additional options. Minimum order quantities and/or extended lead times will apply. Contact your Phoenix representative with specific inquiries.

Product design and specifications are subject to change without notice. The most current version of this specification sheet can be found at www.phoenixlighting.com.



Durable, economic line of DC-voltage LED work lights
Lightweight, compact design ideal for use on mobile equipment
Spot and flood optics minimize glare and provide precise optical control
LED technology increases efficiency, eliminates maintenance and supports green initiatives

Key Applications

Surface mining equipment

- haul trucks • front loaders • blasthole drills • dozers • hydraulic excavator shovels

Underground mining equipment

- jumbos • scoopers • dumpers

Construction equipment

- mobile cranes • excavators • rollers

Port equipment

- material handling • reach stackers

Marine vessels

- patrol boats • fishing boats

Agricultural equipment

- combine harvester • tractors • ATVs

Forestry equipment

- harvesters • forwarders • loaders

Other applications

- utility vehicles • pick-up trucks • off-road equipment • forklift trucks • maintenance of Way (MOW) railroad maintenance equipment • solar and generator powered lighting

Compliances

CE

IP69K

CISPR 25 - Class 4

Specifications

Construction	Die cast aluminum housing
Finish	Black powder coat
Hardware	Stainless steel
Lens	Impact-resistant polymer - standard Spot (SP) and flood (FL) optics Precise optical control minimizes glare
Light source	19W, up to 2000 lumens Cool white (5700K) LEDs 50,000 hour rated life
Power source	Nominal voltage range: 12-24V DC Input voltage range: 9-32V DC 17.00 inch (432 mm) cord with Deutsch connector
Wiring	Stranded wires
Ambient operating temperature	-40°C to +85°C
Shock	ISO 16750-3: 2012, 50G
Vibration	up to 30G
Salt spray	IEC 60068-2-11
Mounting	Stainless steel harp
Warranty	1 year

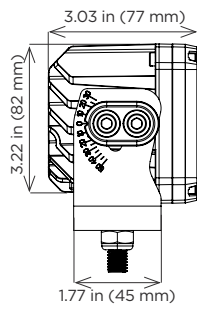
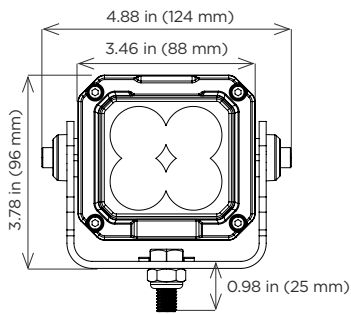
For IES files, see website or contact factory

Sturdilite® Move Series LO

Low-voltage LED Floodlight

PHOENIX[®]
DURABILITY X DESIGN™

Dimensions



Ordering Information

Example: MV-LO-SP

Fixture	Model	Optic
MV	LO	SP
		FL

Model

LO 19W, up to 2000 lumens

Optic

SP Spot Optic
FL Flood Optic

Special Projects: We may be able to accommodate your special projects, so please don't hesitate to ask about additional options. Minimum order quantities and/or extended lead times will apply. Contact your Phoenix representative with specific inquiries.

Product design and specifications are subject to change without notice. The most current version of this specification sheet can be found at www.phoenixlighting.com.