



Introducing the third generation of the proven EcoMod[®] Series
 Expertly engineered with durable, marine grade components and various optic options
 Numerous bracket options to easily retrofit to existing hole patterns
 Custom designed, high temperature optics improve safety, increase efficiency and maximize operator comfort

Key Applications

- Ship-to-Shore (STS) cranes
- Rubber Tired Gantry (RTG) cranes
- Mobile harbor cranes (MHC)
- Interior and exterior uplighting
- Facility and perimeter lighting
- Deck flood lighting
- Airport hangars
- Overhead cranes
- Bridges and parking lots
- Aft wheelhouse lighting
- Vessel perimeter lighting

Compliances

ETL/cETL Certified to:

- UL 1598 Suitable for Wet Locations
- UL 1598A Marine Outside Type (Saltwater)
- CSA C22.2 No. 250.0

CE

IP66, IP67 and IP69K

ABS

DLC (contact factory)

LM79 and LM80 reports available

FCC Part 15, Subpart B, Class A standards for conducted and radiated emissions.

Specifications

Construction	Marine grade, powder coated cast aluminum housing Adjustable powder coated steel mounting harp
Finish	Black thermoset powder coat 2-step finish
Hardware	Marine grade (316) stainless steel

Specifications

Lens	Clear, tempered glass
Surge protection	20kV (20kA)
Light source	Up to 121W (LO), up to 231W (HI), up to 438W (MAX) Up to 15,000 lumens (LO) Up to 30,000 lumens (HI) Up to 52,500 lumens (MAX) Cool white 5000K (50K), neutral white 4000K (40K), warm white 2700K (27K) LED options CRI > 70 50,000 hour rated life
Power source	120-277V, 50-60Hz; 277-480V, 50-60Hz Overload, over-voltage, over-temperature and short-circuit protection 0-10V dimming option (DIM)
Wiring	Stranded wires 17 gauge, 3 conductor cord - 72.00 inch (1829 mm) with pigtail - standard Through wire optional (TW) (no cord provided) Standard cord grip 0.37 inch - 0.50 inch (9.5 mm - 12.7 mm)
Ambient operating temperature	-40°C to + 60°C (LO & HI models) -40°C to + 50°C (MAX model)
Mounting	Indexed aiming and lockable in 5° increments Alternative brackets to match legacy hole patterns (B1 and B2) Boom mount kit (sold separately)
Vibration	6G at resonant frequency
Weight	LO - 31.0 lb (14.1 kg) HI - 39.6 lb (18.0 kg) MAX - 49.2 lb (22.3 kg)
Safety cable	Safety cable included
Warranty	5 years



*This product complies with domestic preference requirements such as BAA or TAA.
 For additional information, visit phoenixlighting.com or consult your representative.*

For IES files, see website or contact factory

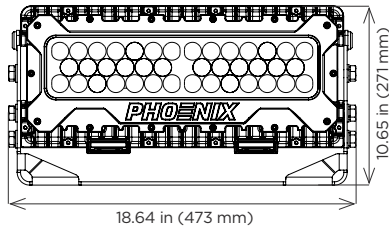
EcoMod® 3 Series

Heavy Duty LED Floodlight

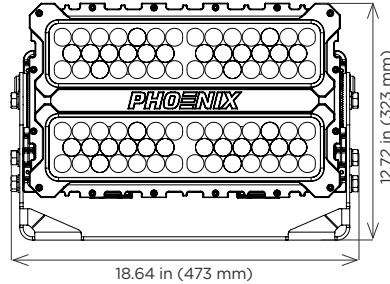
PHOENIX®
DURABILITY X DESIGN™

Dimensions (Standard Mounting Brackets)

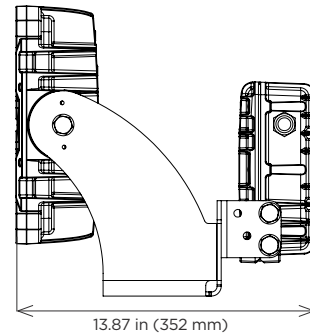
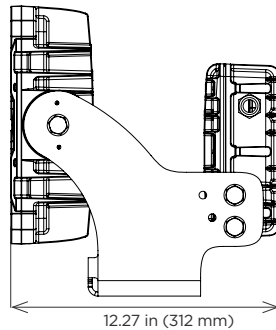
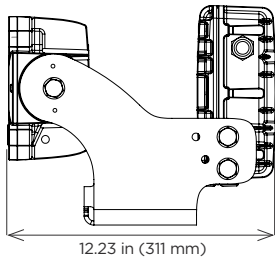
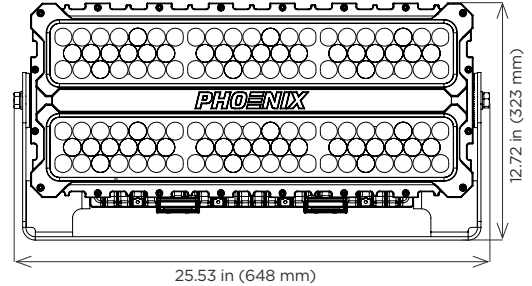
LO Model



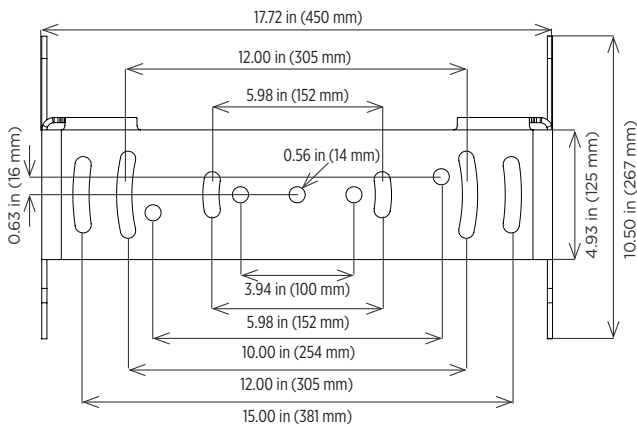
HI Model



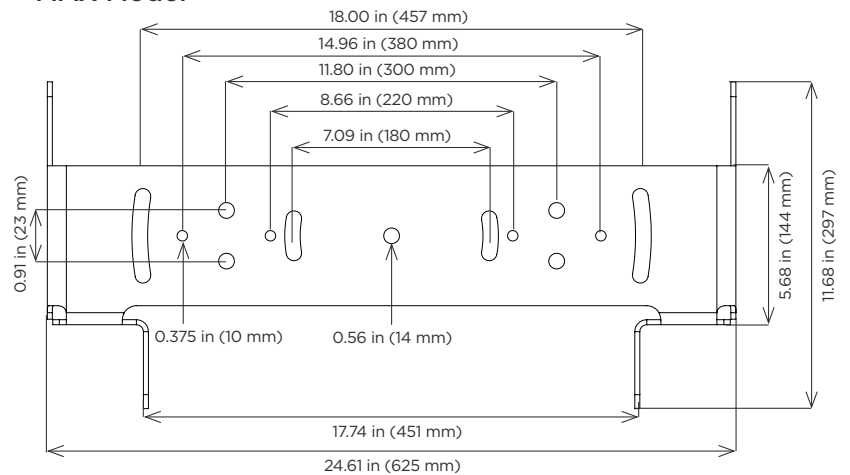
MAX Model



LO & HI Model

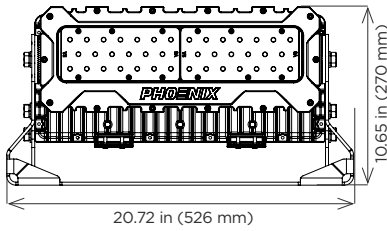


MAX Model

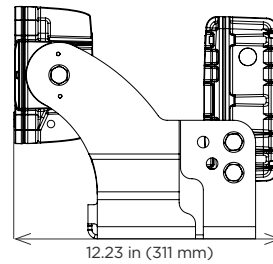
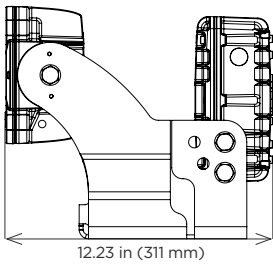
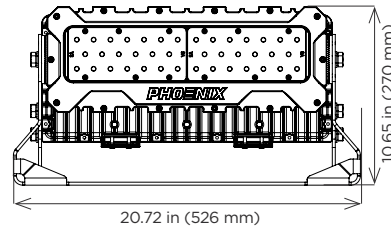


Dimensions (Alternative Brackets B1 & B2)

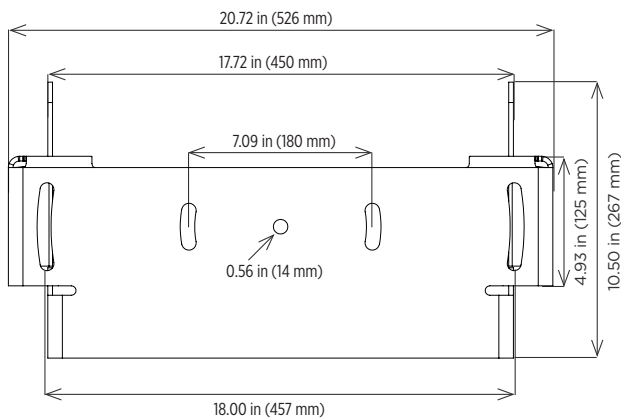
LO Model (B1)



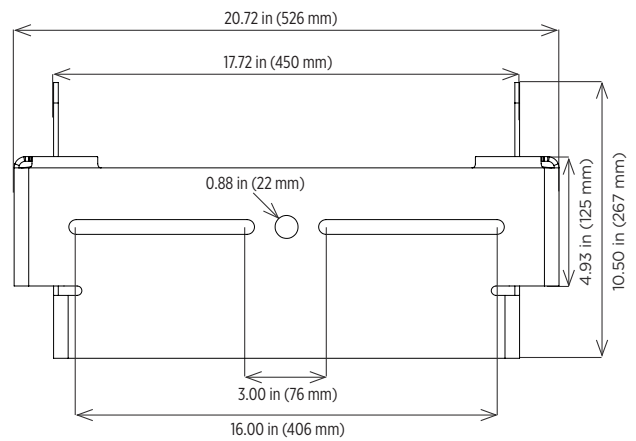
LO Model (B2)



LO Model (B1)



LO Model (B2)



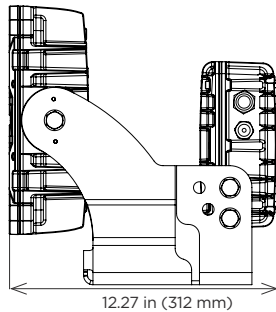
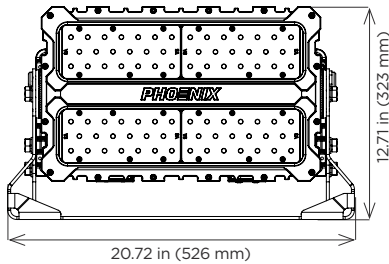
EcoMod® 3 Series

Heavy Duty LED Floodlight

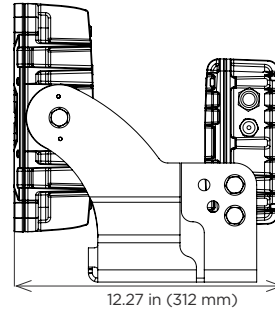
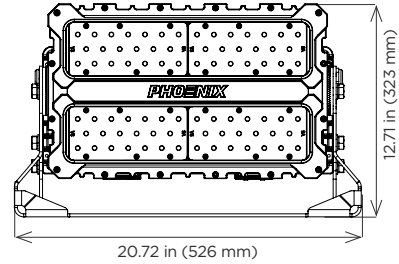
PHOENIX[®]
DURABILITY X DESIGN™

Dimensions (Alternative Brackets B1 & B2)

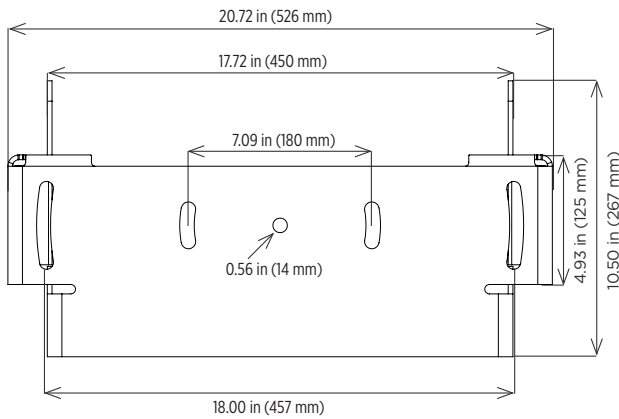
HI Model (B1)



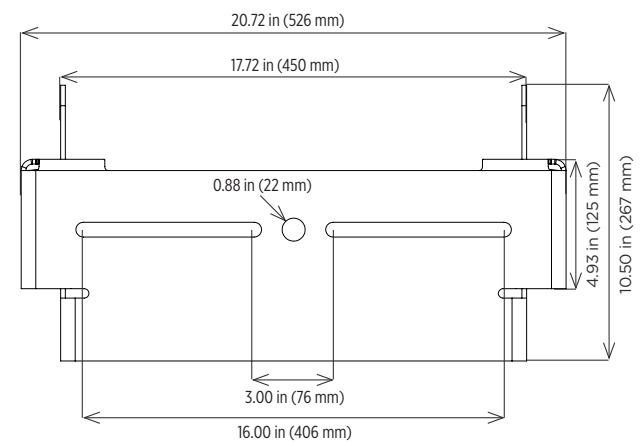
HI Model (B2)



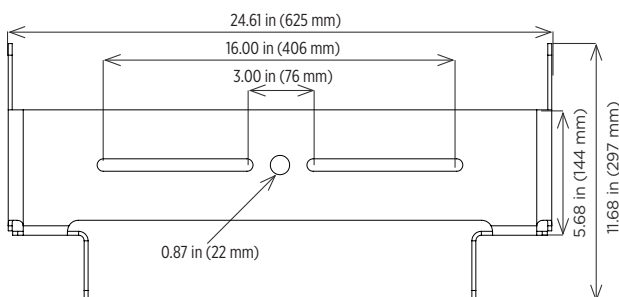
HI Model (B1)



HI Model (B2)



MAX Model (B1)¹



Notes

- 1 EM3-MAX-B1 height and width are same as the standard EM3-MAX.

EcoMod® 3 Series

Heavy Duty LED Floodlight

PHOENIX®
DURABILITY X DESIGN™

Ordering Information

Example: EM3-HI-MF-120-277-50K-DIM

Fixture	Model	Optic	Voltage	Color Temperature	Options	Alternative Brackets
EM3	LO	WF	120-277	50K	DIM ²	B1
	HI	MF	277-480	40K ¹	TW ²	B2 ³
	MAX	WS		27K ¹		
		SP				
		NS				
		VS				
		NG				

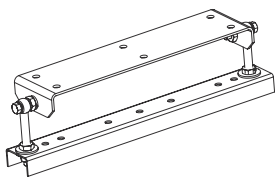
Model	Optic	Voltage	Color Temperature	Options	Alternative Brackets
LO up to 121W	WF Wide flood	120-277	50K Cool white 5000K LEDs	DIM ² Dimmable (0-10V)	B1 Alternative bracket 1
HI up to 231W	MF Medium flood	277-480	40K ¹ Neutral white 4000K LEDs	TW ² Through wire	B2 ³ Alternative bracket 2
MAX up to 438W	WS Wide spot		27K ¹ Warm white 2700K LEDs		
	SP Spot				
	NS Narrow spot				
	VS Very narrow spot				
	NG No-glare/perimeter				

Notes

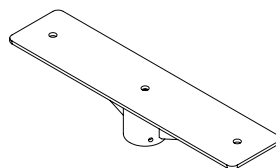
- 1 Contact factory for availability/more information
- 2 DIM & TW are not available together
- 3 B2 bracket only available on LO and HI models

Special Projects: We may be able to accommodate your special projects, so please don't hesitate to ask about additional options. Minimum order quantities and/or extended lead times will apply. Contact your Phoenix representative with specific inquiries.

Accessories (order separately)



Boom Mount Kit
BMK-LO/HI/MAX



2 ¾ inch Tenon Mount
PTM-LO/HI (LO & HI models only)
PTM-MAX (MAX models only)

Product design and specifications are subject to change without notice. The most current version of this specification sheet can be found at www.phoenixlighting.com.