



Perko 19 Inch Solar-Ray® Searchlight

1900 Series

All Aluminum - White Perko•Kote Finish

32, 120 or 230 Volts



1

The 1900 Series - Solar-Ray® Searchlights are designed and built with the commercial user in mind where maximum size and brilliance count. These units are constructed of marine aluminum with heavy duty castings and heavy gauge reinforced bodies for extra durability. They are finished in our white PERKO•KOTE finish, an advanced process that eliminates the need for painting while providing a scratch resistant and chip-proof surface for painting when necessary to match the color of the vessel.

The 1900 Series is available with Deck, Wheel, Lever/Gear or Distant Electric Remote Controls. All models feature halo deflectors, parabolic glass mirror reflectors for maximum light output and ventilation covers for quick dissipation of heat to help prolong bulb life. Hinged front doors have quick release stainless steel latches to provide easy access for bulb replacement.

Bulbs are not included and must be ordered separately. PERKO offers a choice of the traditional incandescent or the brighter, more piercing quartz-halogen bulbs in a variety of voltages and wattages.

“1900 Series” High Power Searchlight Features

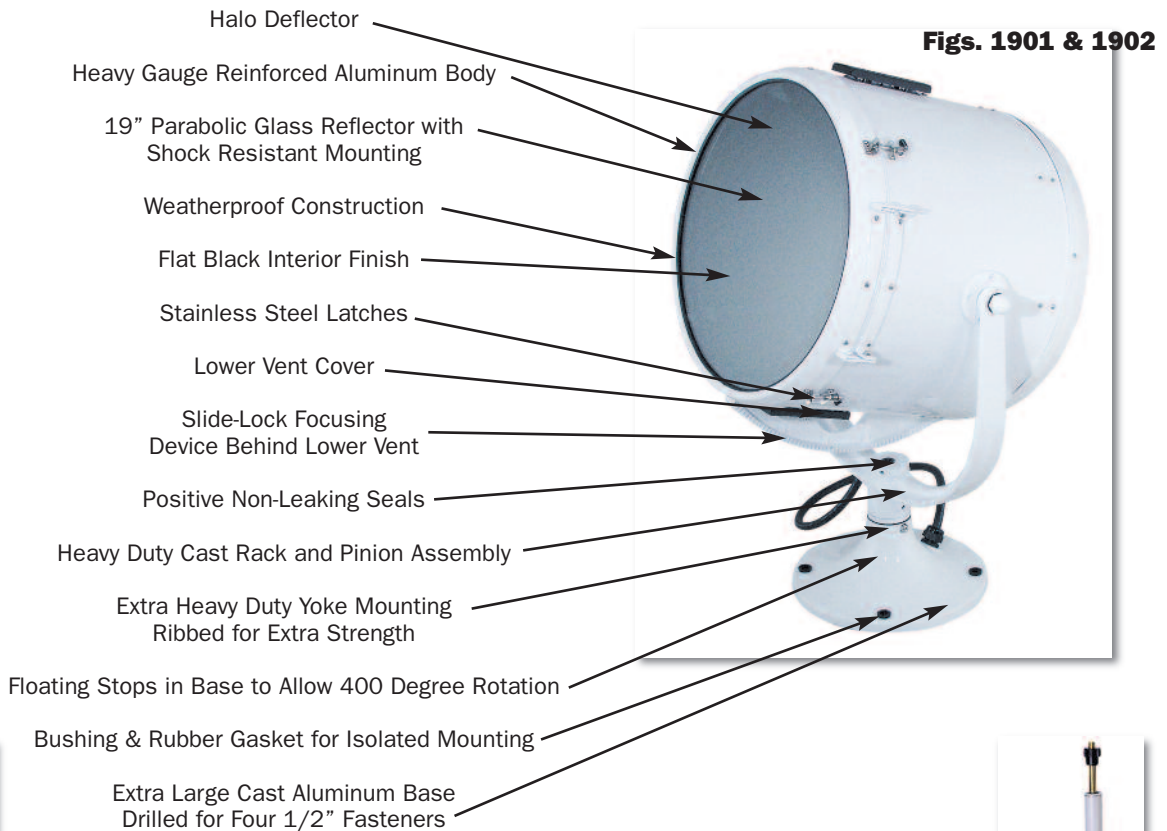


Fig. 1922

DECK CONTROL

Equipped with handles on the rear cover for positioning.

WHEEL CONTROL

Turn upper wheel for horizontal position. Turn lower wheel for vertical position.

CONTROL TYPES

DISTANT ELECTRIC CONTROL

Joystick type controller with variable speed control for both horizontal and vertical positioning



Fig. 1925

LEVER/GEAR CONTROL

Aim handle for horizontal position. Twist handle for vertical position.



Fig. 1921



1074 Kenran Industrial Dr.
St. Louis, MO 63137
Phone: 1-800-381-9968

HUMCOLIGHTS

Perko 19 Inch Solar-Ray® Searchlight & Control Assemblies



Lamp



INCANDESCENT

TECH INFO	
Nominal Drum Diameter Inches	Base Diameter
19	13

**Fig. 1902 Light
Shown With Fig. 1921
Lever/Gear Control**

20-3/4"



**Fig. 1902DE4
Light
Shown With
Fig. 1925
Distant
Electric
Control**

22"



**WATER-PROOF
SEAL FOR GEAR MECHANISM**

19"



6"



32-3/4"

**Fig. 1902 Light
Shown With Fig. 1922
Wheel Control**
Distance Between Wheels,
2-1/2 Inches.

All Aluminum - White Perko•Kote Finish

ORDERING INFO		
Description	Catalog No.	Weights
Deck Control Searchlight Head Assembly*	1901004WHT	76 lbs.
Wheel or Lever/Gear Control Searchlight Head Assembly (Requires Control Assembly Below)	1902004WHT	76 lbs.
Searchlight Head Assembly For Distant Electric Control Base	1902DE4WHT	103 lbs.
Wheel Control Assembly (For Above)	1922000WHT	10.3 lbs.
Lever/Gear Control Assembly (For Above)	1921000WHT	100 lbs.
Distant Electric Control Assembly (For Above)	1925000WHT	50 lbs.

*Cannot Be Fitted With Alternate Controls.

Custom Control Lengths and Pedestal Heights Are Available. Price Upon Application. Specify Measurements.

Bulbs Are Not Included in Lights. See Page 52.

1



Perko 19 Inch Solar-Ray® Searchlight Bulb & Socket Information

1

Bulb Ordering Information For 19 Inch Searchlights

For best results, the bulb and reflector must be perfectly compatible; therefore be sure to specify the catalog number of the bulb desired. Peak candlepower is exceedingly sensitive to many factors, (i.e., a light source out of focus by 1/32 inch, under-voltage of only 4%, or differences between bulb manufacturers) which can cause a reduction of range of up to 20%. See below. For a more concentrated beam, longer range, brighter light and a longer life, we recommend the Quartz/Halogen bulbs.

Voltage	Approx. Range Miles*	Bulb Catalog Number	Bulb Type	Socket Type	Socket Code Letter	Wattage	Rated Life Hours**	Maximum Candlepower Output	Horizontal Beam Spread Degrees	Vertical Beam Spread Degrees	Mfg. Bulb Code
32	1-2/3	0806	Incandescent	Medium Screw	B	500	50	3,520,000	3.5	3.7	DLT
120	1-5/8	0807	Incandescent	Medium Prefocus	E	500	25	3,191,000	3.5	4.0	CZX
120	1-3/8	0837	Incandescent	Medium Prefocus	E	750	200	2,076,000	3.6	4.2	DDY
120	1-3/4	0809	Incandescent	Medium Prefocus	E	750	25	4,569,000	3.6	4.5	DDB
120	2	0810	Incandescent	Medium Prefocus	E	1000	25	5,622,000	3.6	4.2	DRS
120	1-3/4	0844	Quartz/Halogen	Medium Prefocus	E	500	500	3,861,000	3.0	5.4	BTL
120	1-5/8	0845	Quartz/Halogen	Medium Prefocus	E	750	200	2,871,000	3.6	5.4	BTP
120	2	0839	Quartz/Halogen	2-Pin Prefocus	K	900	75	5,769,000	5.9	5.4	BVA
120	1-2/3	0847	Quartz/Halogen	Mogul Prefocus	M	1000	200	3,659,000	4.5	5.4	BVV
120	1-7/8	0846	Quartz/Halogen	Medium Prefocus	E	1000	200	4,601,000	4.5	5.4	BTR
120	2	0848	Quartz/Halogen	Mogul Prefocus	L	1500	300	5,596,000	5.9	5.7	DTA
120	1-2/3	0859	Quartz/Halogen	Mogul Prefocus	M	2000	250	3,633,000	9.4	5.9	BVW
230	1-3/8	0860	Quartz/Halogen	Medium Prefocus	E	1000	950	2,162,000	7.9	6.5	FKD

*The approximate ranges listed above are based on photometric measurements of beam candlepower output under ideal conditions. Many factors such as atmospheric conditions, size and color of target, background, etc., may reduce effective range considerably; therefore, these figures are offered only as a guide to compare different bulb and voltage options.

Please Order Carefully, Bulbs Are Not Returnable.

**NOTE: These are the "Rated Average Laboratory Life in Hours" of the Bulb Manufacturer obtained in closely controlled laboratory life testing of groups of lamps at their design voltage. It is not necessarily the same as the service life where conditions such as shock, vibration, voltage fluctuation and environment may result in a shorter average attained life.

Spare Parts Ordering Information For 19 Inch Searchlights

ORDERING INFO					
Fig. No.	Front Glass	Front Door with Glass	Rear Cover	Reflector*	Pinion Gear
1901	0889004CLR	1936000WHT	1932000WHT	0890004	—
1902	0889004CLR	1936000WHT	1933000WHT	0890004	0905

*Replacement Retaining Clips (Cat. No. 0911) for the Reflector Should Also Be Ordered When Ordering a Replacement Reflector to Assure a Proper Fit.



1074 Kenran Industrial Dr.
St. Louis, MO 63137
Phone: 1-800-381-9968

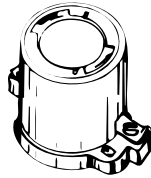
Perko 19 Inch Solar-Ray® Searchlight Bulb & Socket Information

Electric Socket and Support Stand Assemblies for 19 Inch Searchlights

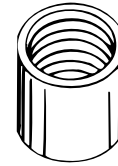
Solar-Ray® Searchlights include a socket and support stand based on the bulb or socket information given when ordering. The following chart makes it possible to order and stock different assemblies for field conversion, to meet a large variety of voltage and candlepower requirements with a minimum of inventory.

ORDERING INFO			
Socket Type	Socket Code	Socket & Stand Catalog Number	Height Stand Inches
Medium Screw	B	0872004	5-3/4
Medium Prefocus	E	0873004	5-7/16
Mogul Prefocus (1500 Watt)	L	1930004	3-5/8
Mogul Prefocus (1000 & 2000 Watt)	M	1931004	3-1/8
2-Pin Prefocus (900 Watt)	K	0880004	7-5/16

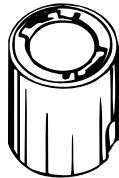
Replacement Socket Ordering Info For 0800 Series and 1900 Series Solar-Ray® Searchlights



Mogul Prefocus Socket
(Codes "L & M")
Catalog No. 0893



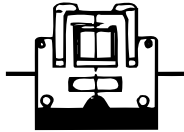
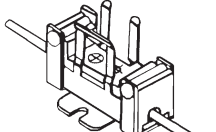
Medium Screw Socket
(Code "B")
Catalog No. 0894

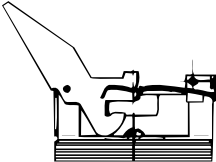
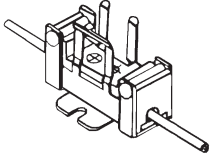


Medium Prefocus Socket
(Code "E")
Catalog No. 0895



Mogul Screw Socket
(Code "D")
Catalog No. 0897

OLD SOCKET	NEW SOCKET
 2-Pin Prefocus Socket (Codes "F, G, H & I"*) Catalog No. 0899	 2-Pin Prefocus Socket (Code "F, G, H, I & K"*) Catalog No. 0899

OLD SOCKET	NEW SOCKET
 2-Pin Prefocus Socket (Code "K"**) Catalog No. 0866	 2-Pin Prefocus Socket (Code "K"**) Catalog No. 0899

*For Use In 10", 12" and 14" Searchlights Except When Catalog No. 0839, 900 Watt Bulb is Used.

**For Use In 12", 14" and 19" Searchlights Only When the Catalog No. 0839, 900 Watt Bulb is Used.