



1074 Kenran Industrial Blvd
 Saint Louis, MO 63137
 Phone: (800) 381-9968

HUMCO Lights

Carlisle & Finch 12" Searchlights



12-inch / 305mm LED Searchlight

Eco-Friendly Product



Joystick Electric Control



Remote
Lever-Gear
Control



Local Handle
Control

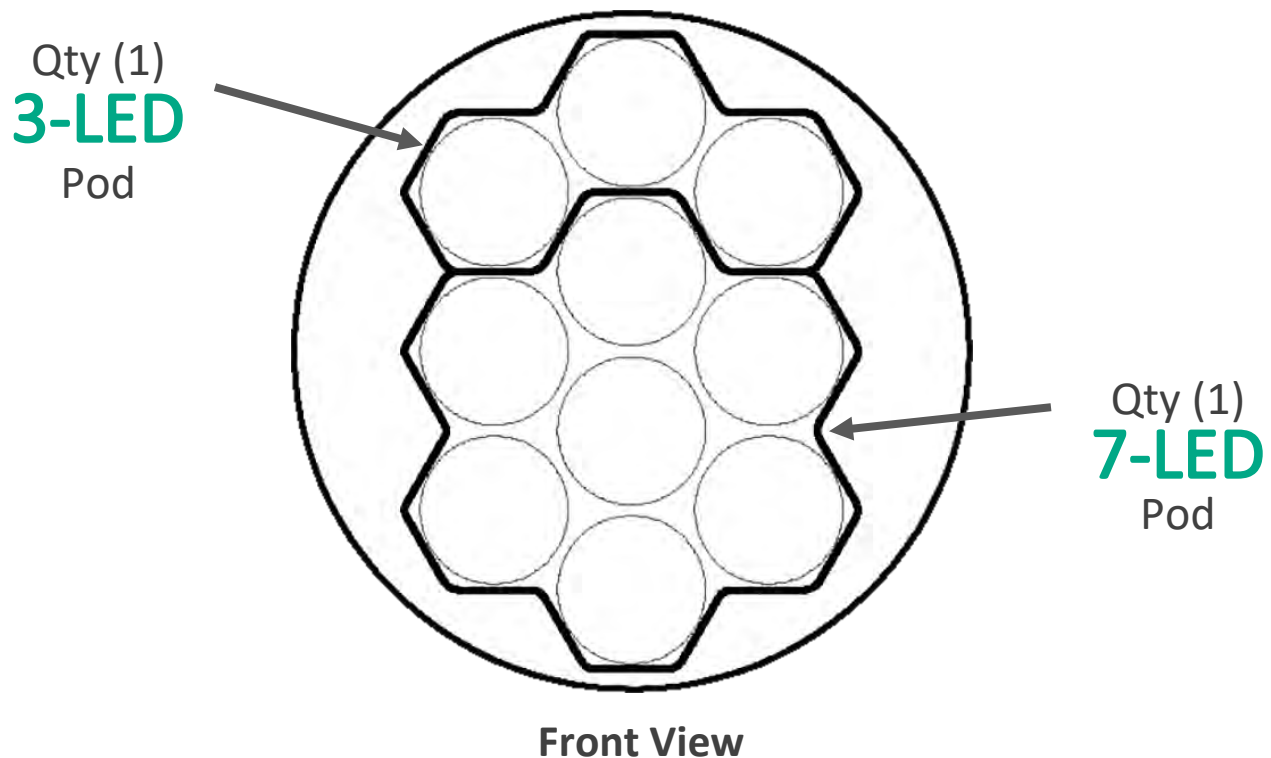
Beam Intensity	
3.5° Beam Option	4,115,000 Candela 1 Lux at 2028 Meters (approx.)
8.5° Beam Option	1,050,000 Candela 1 Lux at 1024 Meters (approx.)
Color Temperature	5700 Kelvin
Controls	Joystick Electric Control, Remote Lever-Gear Control and Local Handle Control
Environmental	IP56
LED Emitter Life	20,000+ Hours
Light Energy	7000 Lumens
Material/Finish	Brass and Stainless Steel with Salt-resistant, Scratch-resistant white powder coat finish
Modular Redundancy	Each pod has its own electronics, so if one fails, a bright beam is still projected (Pg.2)
Power Consumption	120 Watts
Voltages	12VDC, 24VDC, 110VAC – 277VAC

OPTIONS

Anti-icing Heater	Thermostatically-controlled heater prevents ice build-up in cold climates (motorized base-only)
Azimuth Indicator	LCD Panel displays horizontal aiming position in degrees (motorized base-only)
Finishes	Custom Colors and Sparkling Chrome available
High Powered Strobe	Disorients and denies night vision of intruder and transforms searchlight into a Nonlethal Weapon
Infrared Night Vision	Integral Infrared (IR) LEDs covertly light up objects, which appear like daylight on a camera monitor. Covert IR energy is 850NM (Pg.4)
SmartVIEW™	Control System provides Digital BUS Network, and TCP/IP Interface allows Remote Computer Control. Protocols supported: ONVIF, Pelco-D, NMEA 0183 and Carlisle & Finch's own Protocol
Wall of Light LEDs	Extremely wide beam at short range, illuminates areas where the narrower beam cannot service (Pg.3)

Lighting the way forward since 1894

Redundancy and Extreme Long-life provides much higher reliability than Halogen Searchlights!

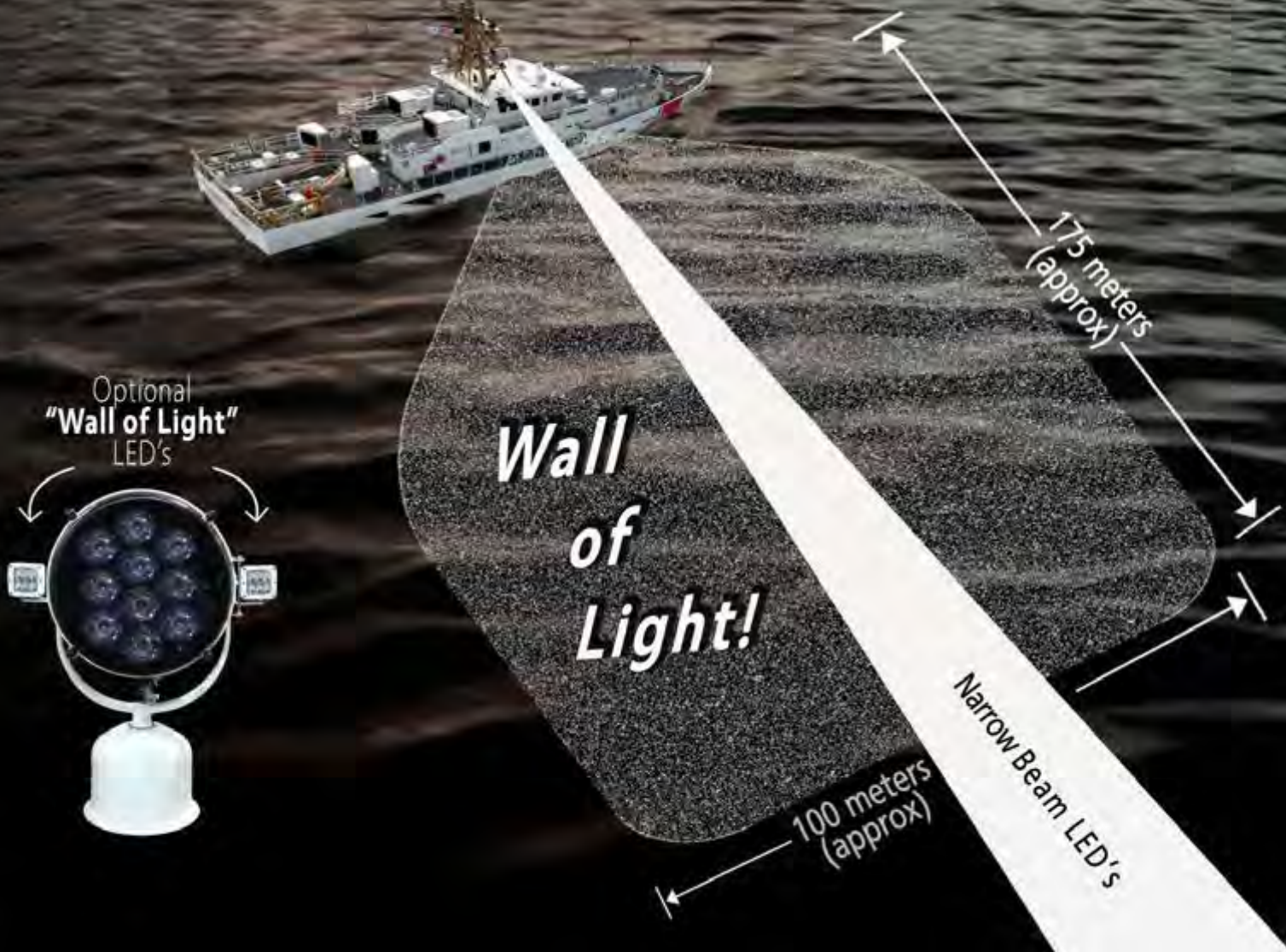


- Multiple LED Redundancy:** There are 10 Individual LEDs (i.e., light sources.) If one fails, there are 9 more producing a bright beam.
- Multiple Pod Redundancy:** Each searchlight has two pods. Unique to C&F, each pod has its own separate electronics. If a board happens to fail, the “second pod” produces a bright beam in back-up mode.
- Long Emitter-Life:** When the lamp fails on traditional Halogen searchlights, the entire searchlight fails. Lamp-life is approx. 250 hours for the most popular industry standard lamps. Since the LEDs will last 20,000+ hours, there are approximately 80 Halogen searchlight failures for every LED searchlight due to lamp-life alone (i.e., $20,000 \div 250 = 80$ failures.)

The Wall of Light!

“Auxiliary LEDs illuminate wide areas at close range where the narrower beam cannot service”

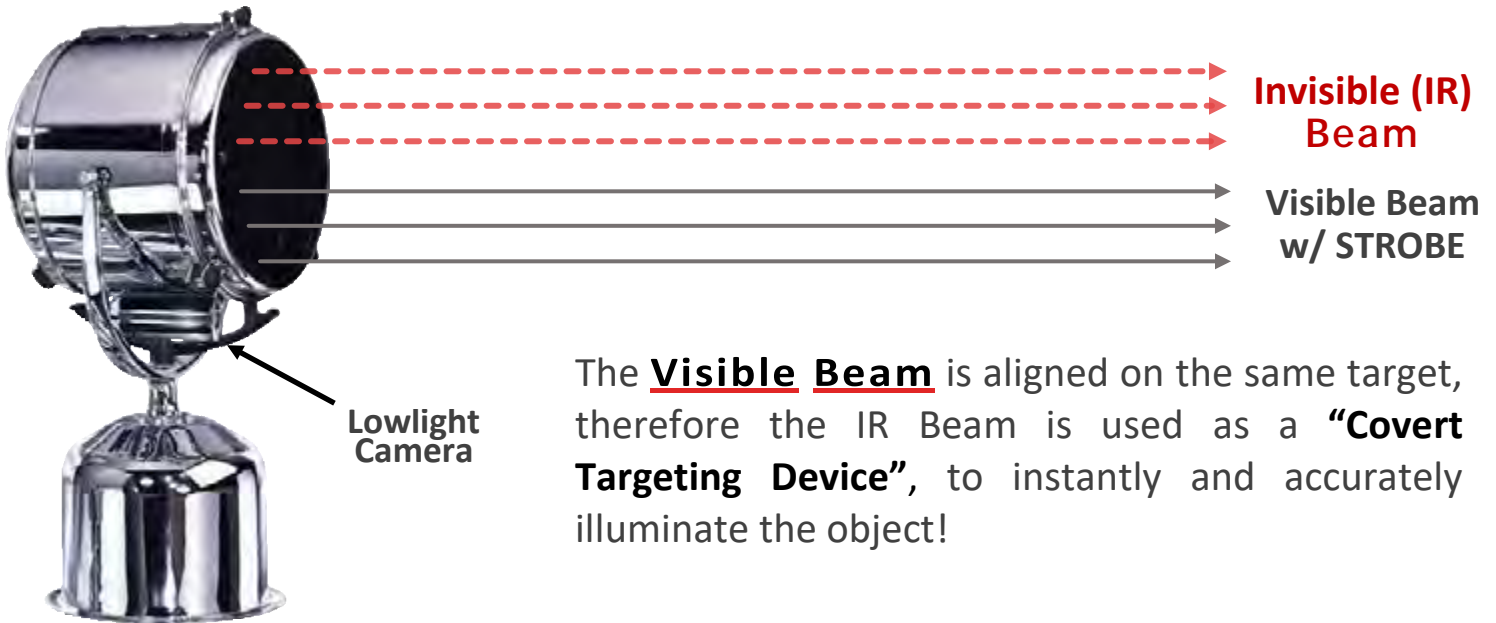
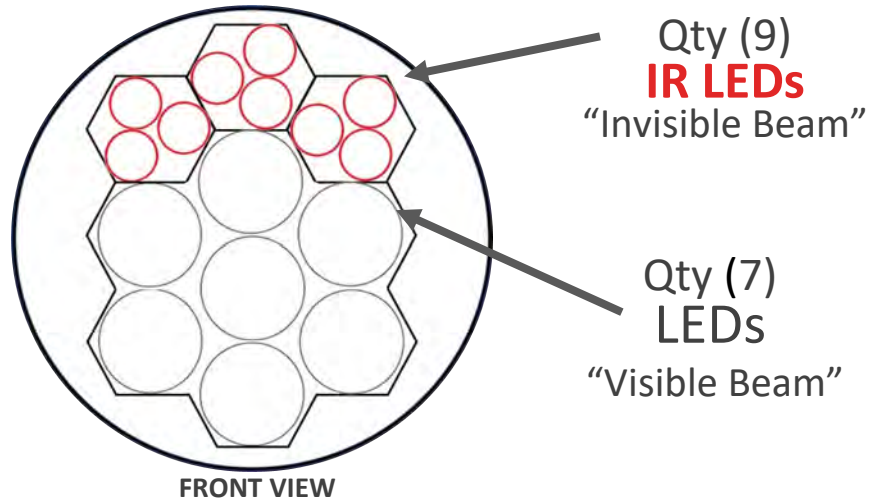
Imagine a passenger suddenly falls overboard on a marine vessel. Using the auxiliary LEDs for **“Search and Rescue”**, an operator can instantly direct a powerful **“Wall of Light”**, wider than a football field, anywhere around the vessel to save the person! This wide beam is also extremely effective for **“Vessel Interdiction”**, **“Docking”**, **“Seeing Workers at Night”**, **“Seeing near the base of a Guard Tower”**, etc. This option provides short range wide-beam illumination and long-range search capabilities, combined within one versatile product.



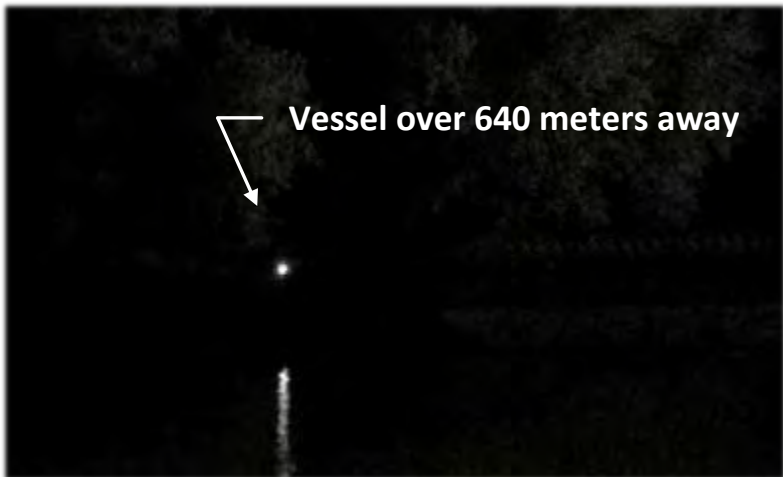
Infrared (IR) LEDs provide built-in Night Vision

NIGHT VISION CAPABILITY!

An invisible beam, undetectable to the human eye, covertly lights up objects in total darkness, and they appear like daylight on a camera monitor. And greatly enhances Night Vision Goggles!



Night Scenes on Riverbank

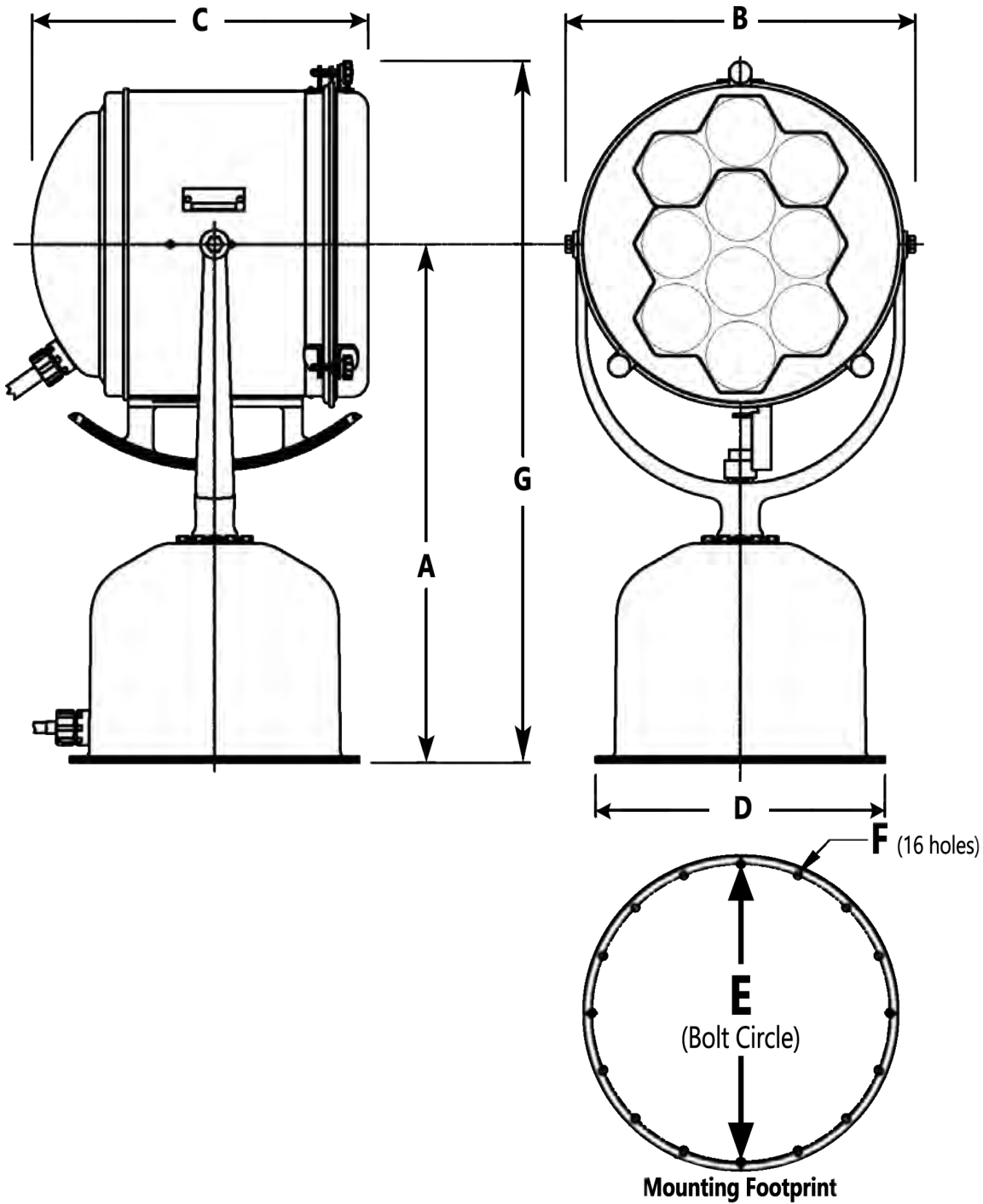


in Total Darkness



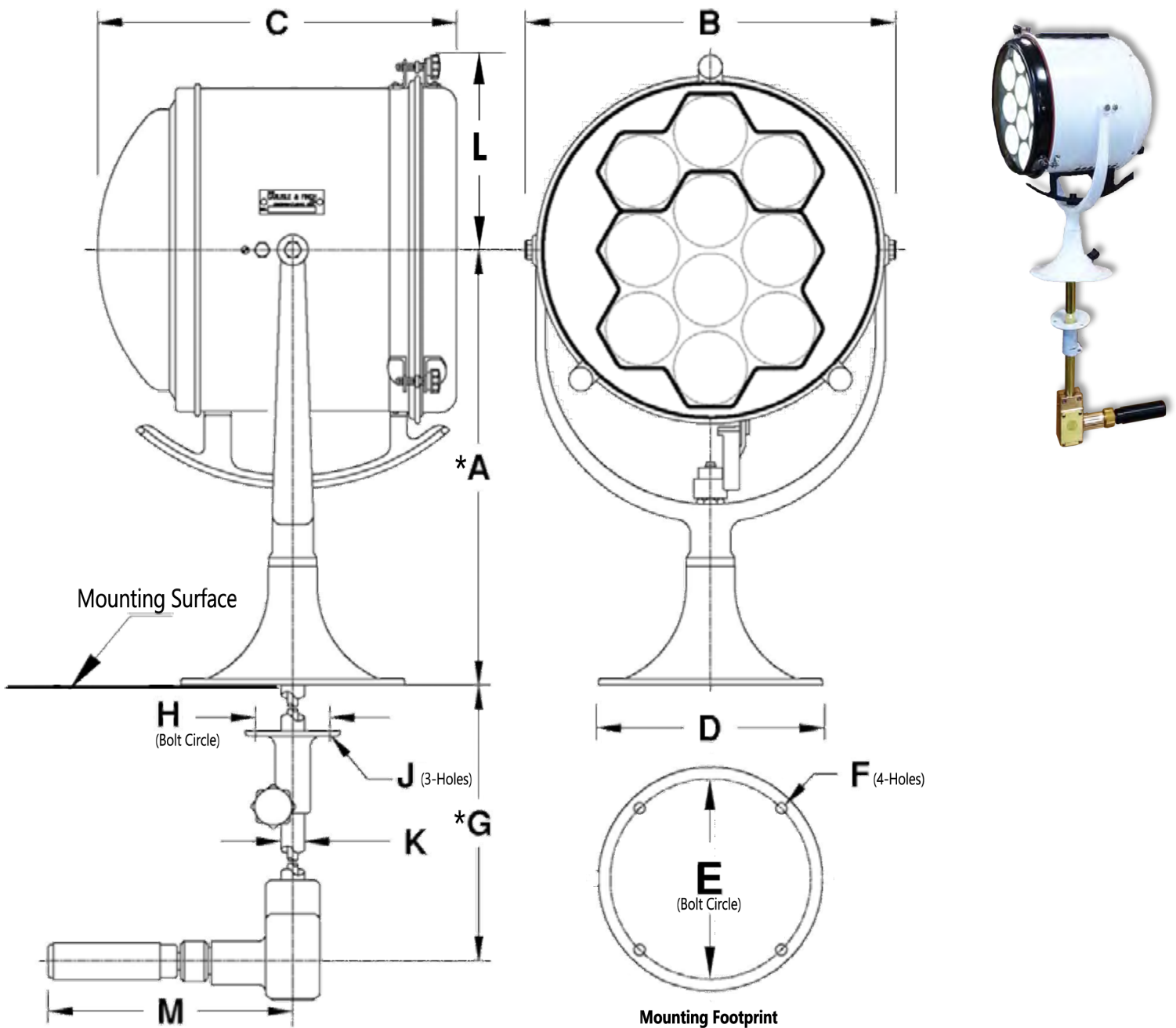
with **(IR) Beam ON!**

Joystick Electric Control Dimensions



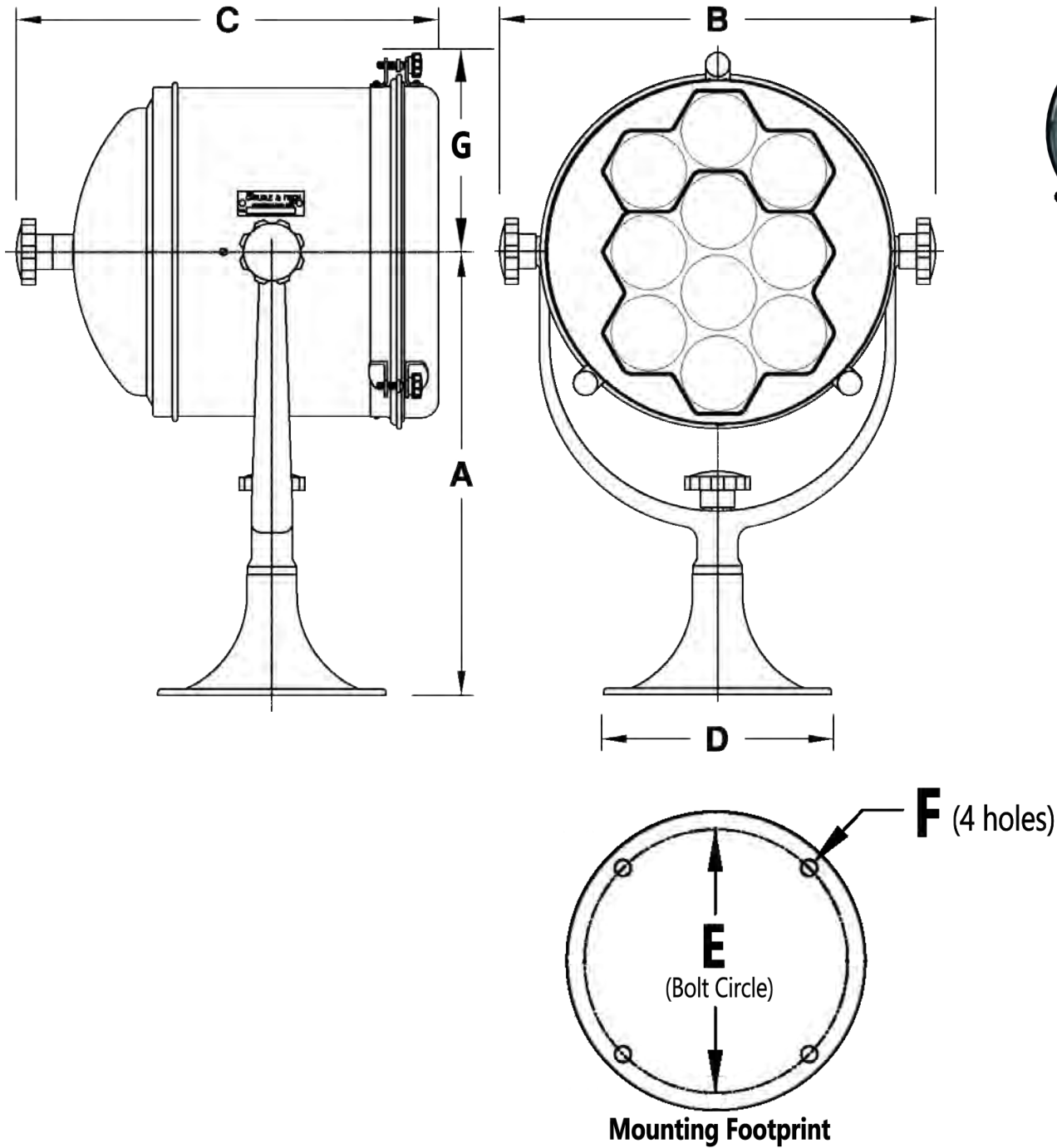
DIM	A	B	C	D	E	F	G
inches	20.25	13.75	13.25	Ø11.38	Ø10.81	Ø.281	27.56
mm	514	349	336	Ø289	Ø274	Ø7.137	700

Remote Lever-Gear Control Dimensions



DIM	*A	B	C	D	E	F	*G	H	J	K	L	M
inches	15.94	13.5	13.25	Ø8.25	Ø7.38	Ø.41	10.88	Ø2.75	Ø.28	Ø.88	7.28	9.00
mm	405	343	337	Ø210	Ø187	Ø10	276	Ø70	Ø7	Ø22	184	229
Note:	Dimension "A" is the standard Searchlight Height, and Dimension "G" is the standard Control Length. These two dimensions can be custom. Consult Factory for exact customer requirements.											

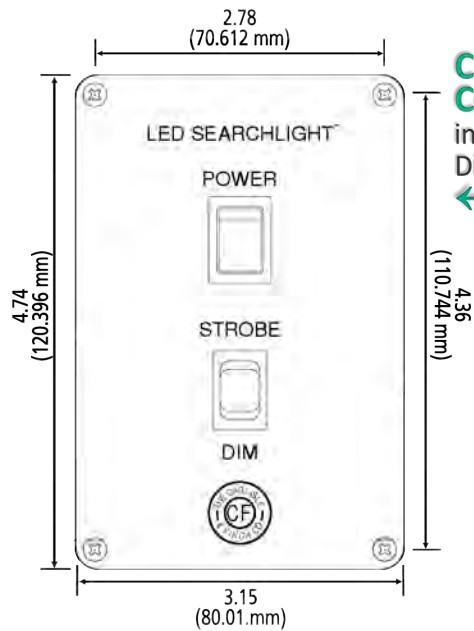
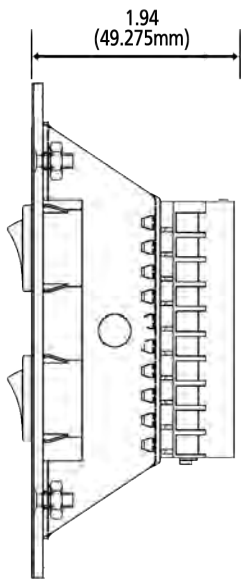
Local Handle Control Dimensions



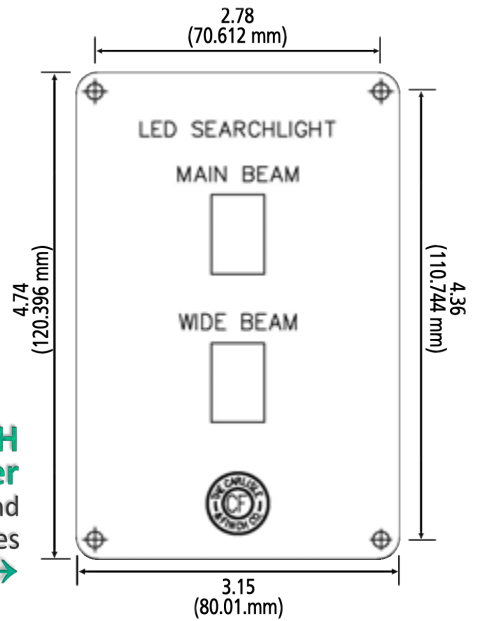
DIM	A	B	C	D	E	F	G
inches	15.94	15.62	15.50	Ø8.25	Ø7.38	Ø.41	7.28
mm	405	397	394	Ø210	Ø188	Ø11	184



Controller Dimensions

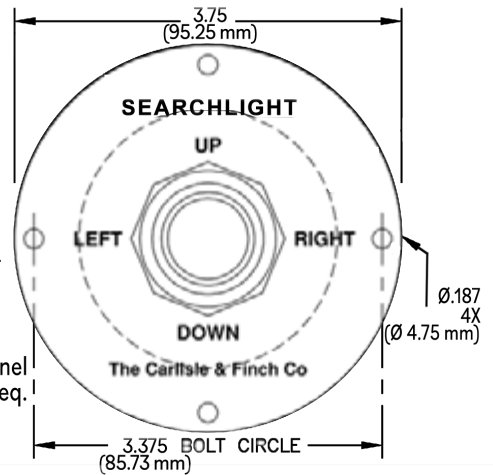
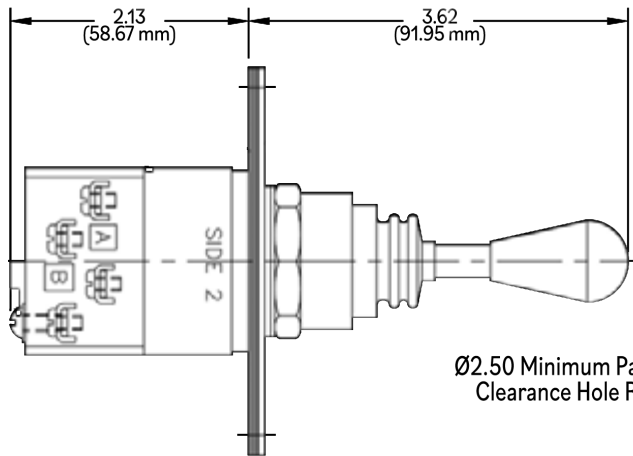


C2-12 Controller
includes Beam ON/OFF, Dim and Strobe Switches



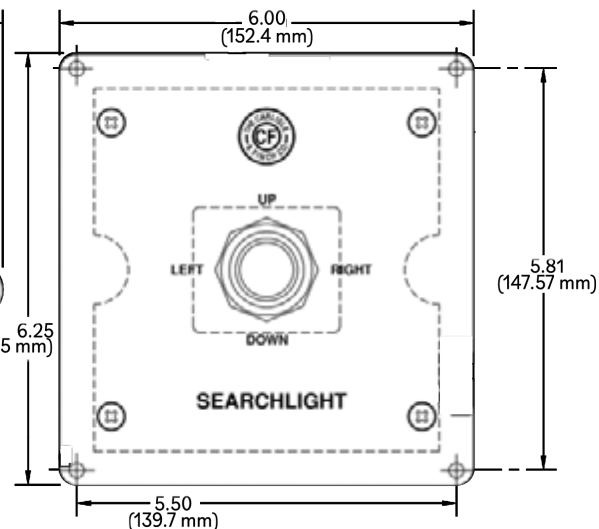
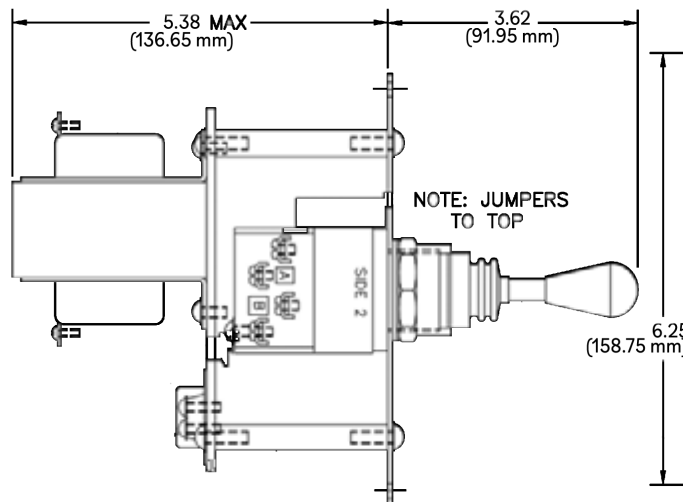
C2-13-DCH Controller
includes Beam ON/OFF and Wide Beam Switches

C8160 Joystick Controller
provides UP, DOWN, RIGHT and LEFT Aiming and Dynamic Breaking (115 VAC-only)



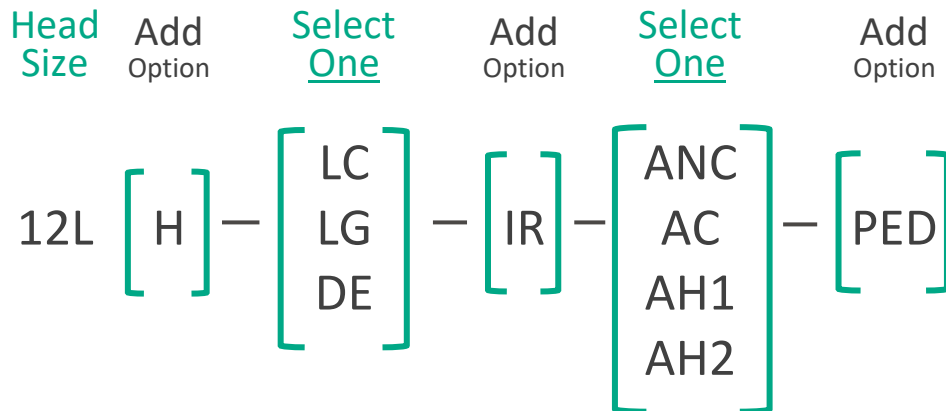
Ø2.50 Minimum Panel Clearance Hole Req.!

C8160-230 Joystick Controller
provides UP, DOWN, RIGHT and LEFT Aiming and Dynamic Breaking (230VAC-only)



How to specify Searchlight

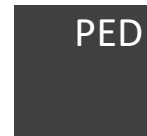
Model Number



H "Wall of Light" LEDs
Option



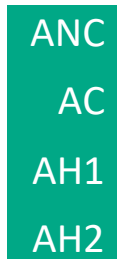
IR Night Vision Infrared LEDs
Option



PED Tall Pedestal Base
Option
■ Manual Control Only
■ Consult Factory



LC Local Handle Control
LG Remote Lever Gear
DE Joystick Electric Control



ANC 115/230 VAC (no Strobe/DIM)
AC 115/230 VAC (with Strobe/DIM)
AH1 115 VAC (with Anti-Icing Heaters)
AH2 230 VAC (with Anti-Icing Heaters)

Note: To specify Searchlight Model Number, go to top of page and insert letters from left to right as applicable.

Example #1

Model Number: 12L-LG-ANC-PED

12-inch (305mm) diameter, Remote Lever-Gear Control, 115 VAC and Tall Pedestal option

Example #2

Model Number: 12L-DE-AH2

12-inch (305mm) diameter, Joystick Electric Control, 230 VAC and Anti-Icing Heaters