



1074 Kenran Industrial Blvd
 Saint Louis, MO 63137
 Phone: (800) 381-9968

HUMCO Lights

Carlisle & Finch 10" Searchlights



10-inch / 254mm LED Searchlight

Eco-Friendly Product



Joystick Electric Control



Remote
 Lever-Gear
 Control



Local Handle
 Control

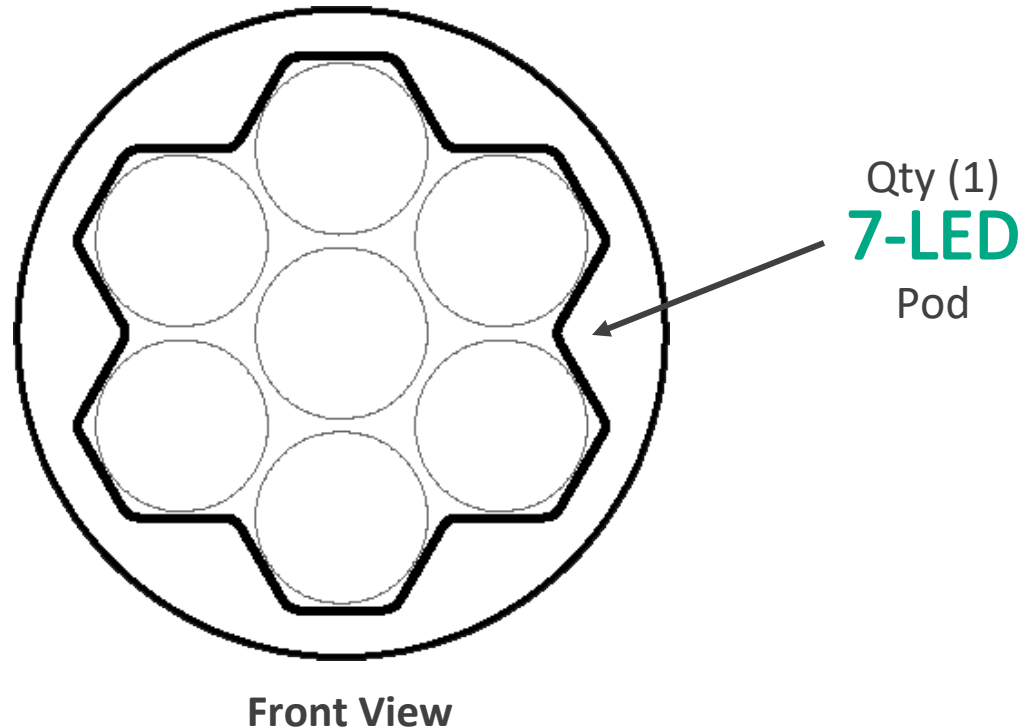
Beam Intensity	
3.5° Beam Option	2,880,000 Candela 1 Lux at 1697 Meters (approx.)
8.5° Beam Option	741,000 Candela 1 Lux at 860 Meters (approx.)
Color Temperature	5700 Kelvin
Controls	Joystick Electric Control, Remote Lever-Gear Control, or Local Handle Control
Environmental	IP56
Finish	Salt-resistant and Scratch-resistant Powder Coat (White, Black, Grey, and Custom) or Chrome Finish
LED Emitter Life	Over 20,000 Hours
Light Energy	4900 Lumens
Material	Brass and Stainless Steel
Power Consumption	85 Watts
Voltages	12VDC, 24VDC, 115VAC, or 230VAC

OPTIONS

Anti-icing Heater	Thermostatically-controlled heaters in the Base. (motorized base-only)
Azimuth Indicator	LCD Panel displays beam aiming position in degrees. (motorized base-only)
High Powered Strobe	Disorients and denies night vision of intruder and transforms searchlight into a Nonlethal Weapon
SmartVIEW™	Control System provides Digital BUS Network, and TCP/IP Interface allows Remote Computer Control. Supported Protocols: ONVIF, Pelco-D, NMEA 0183 and Carlisle & Finch's own Protocol

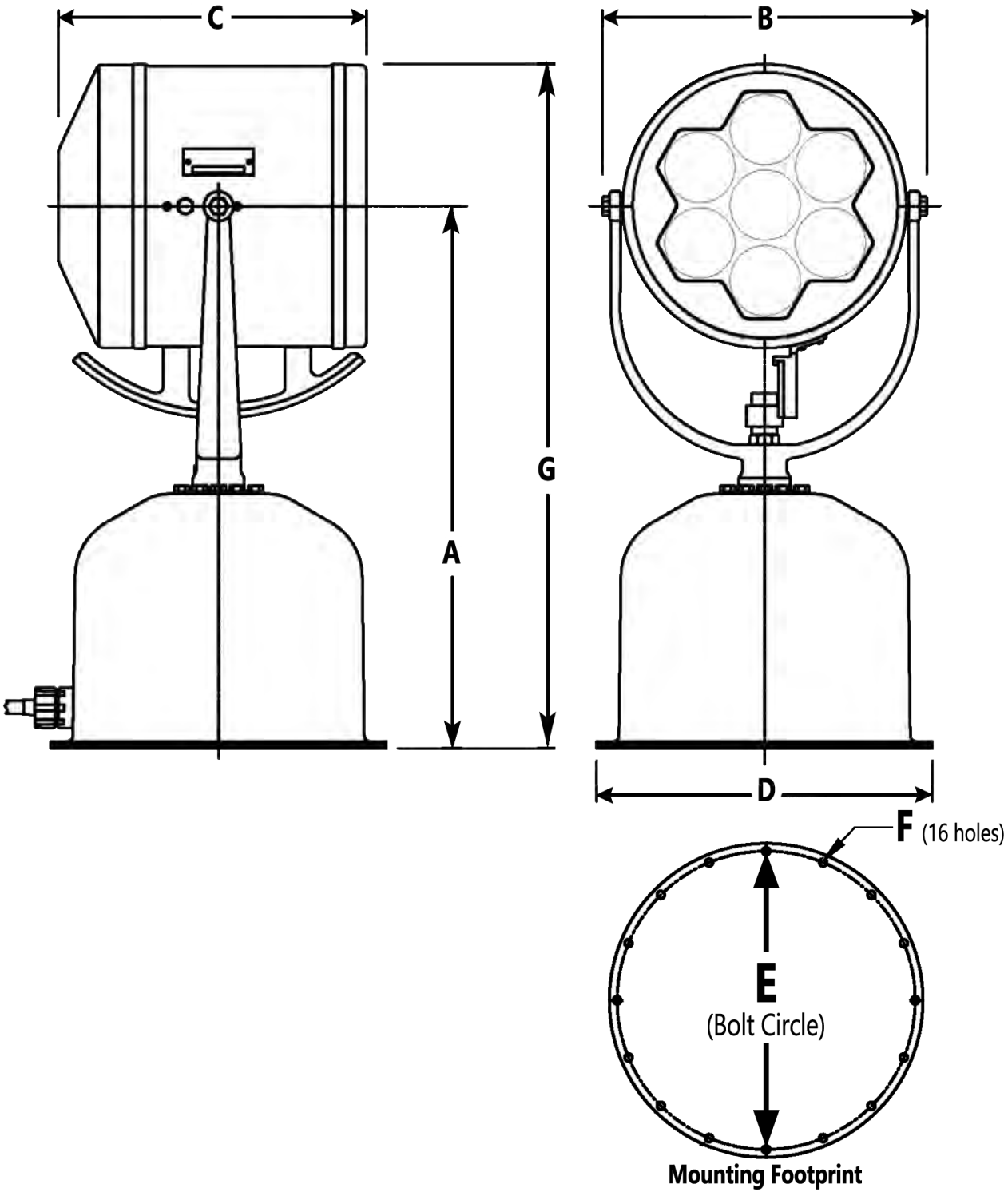
Lighting the way forward since 1894

Redundancy and Extremely Long-life provides much higher reliability than Halogen Searchlights!



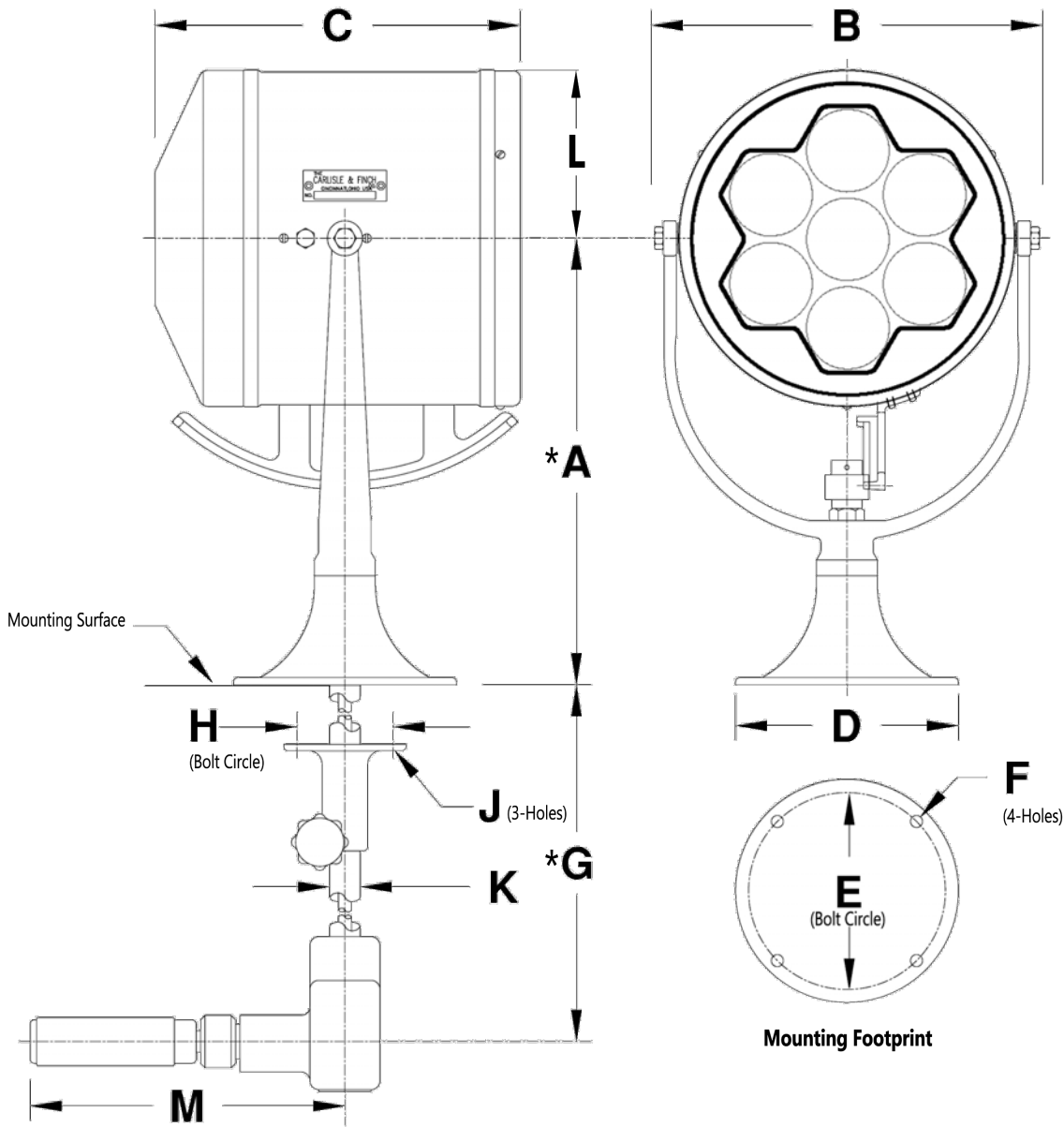
- **Multiple LED Redundancy:** There are 7 Individual LEDs (i.e., light sources.) If one fails, there are 6 more producing a bright beam.
- **Long Emitter-Life:** When the lamp fails on traditional Halogen searchlights, the entire searchlight fails. Lamp-life is approx. 250 hours for the most popular industry standard lamps. Since the LEDs will last 20,000+ hours, there are approximately 80 Halogen searchlight failures for every LED searchlight due to lamp-life alone (i.e., $20,000 \div 250 = 80$ failures.)

Electric Joystick Control Dimensions



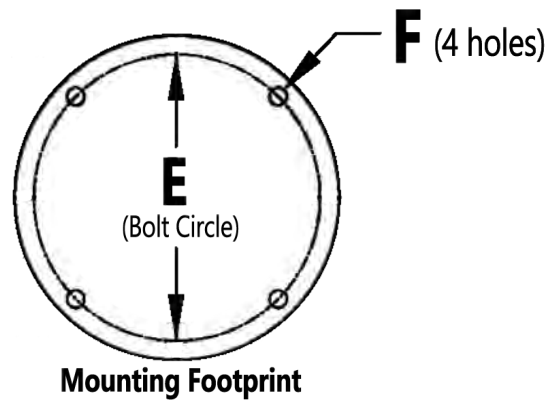
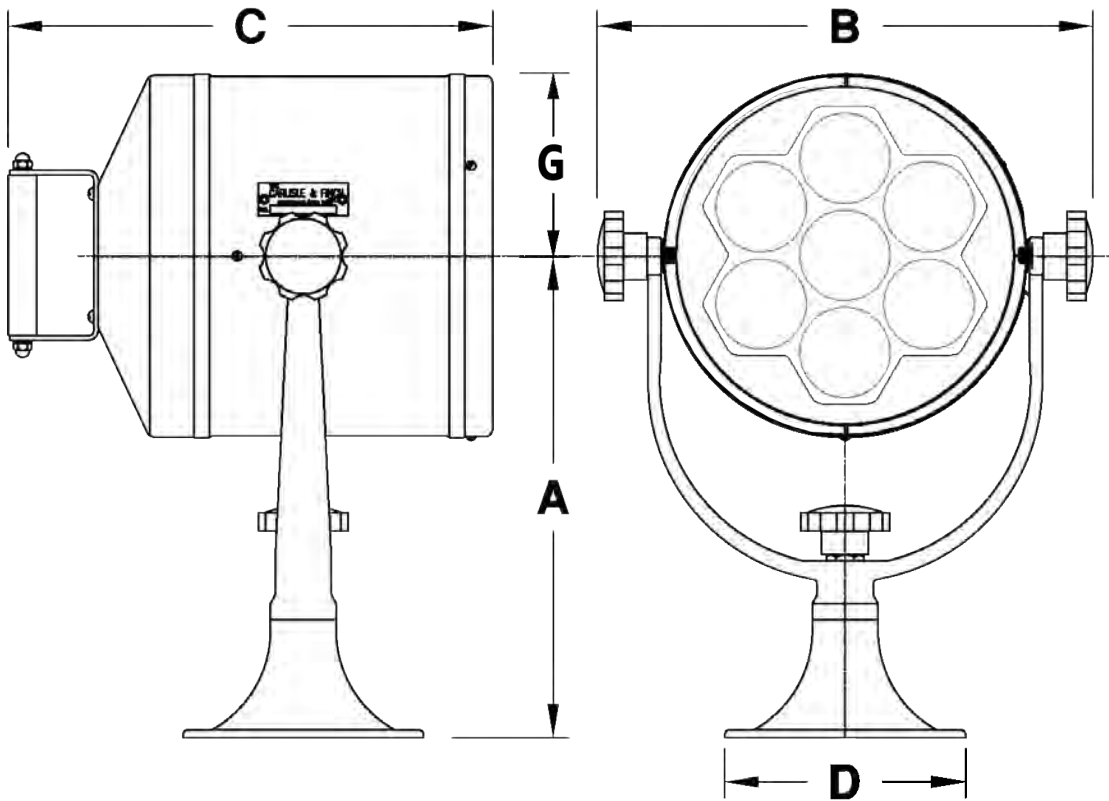
DIM	A	B	C	D	E	F	G
inches	18.19	11.00	10.44	Ø11.38	Ø10.81	Ø.281	23.19
mm	462	279	265	Ø289	Ø274	Ø7.137	589

Remote Lever-Gear Control Dimensions



DIM	*A	B	C	D	E	F	*G	H	J	K	L	M
inches	12.75	11.00	10.00	Ø6.38	Ø5.62	Ø.34	11.38	Ø2.75	Ø.28	Ø.88	4.81	9.00
mm	324	279	254	Ø162	Ø143	Ø9.00	289	Ø70	Ø7.00	Ø22	122	229
Note:	Dimension "A" is the standard Searchlight Height, and Dimension "G" is the standard Control Length. These two dimensions can be custom. Consult Factory for exact customer requirements.											

Local Handle Control Dimensions

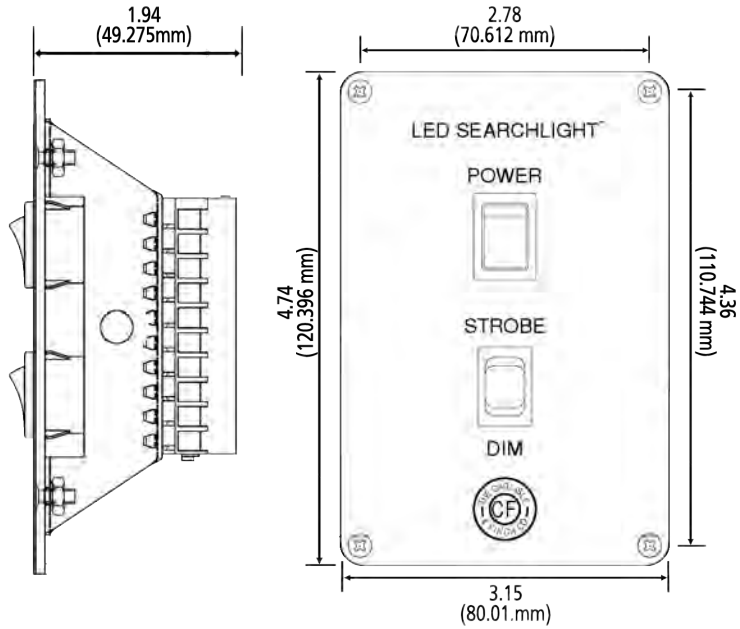


DIM	A	B	C	D	E	F	G
inches	12.75	13.12	12.00	Ø6.38	Ø5.62	Ø.34	4.81
mm	324	334	305	Ø162	Ø143	Ø9	122

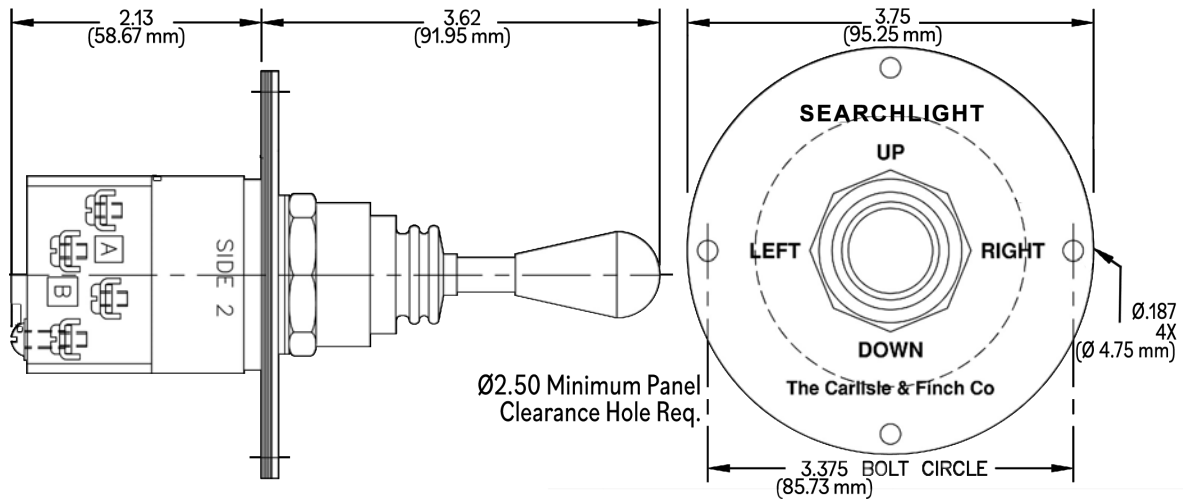


Controller Dimensions

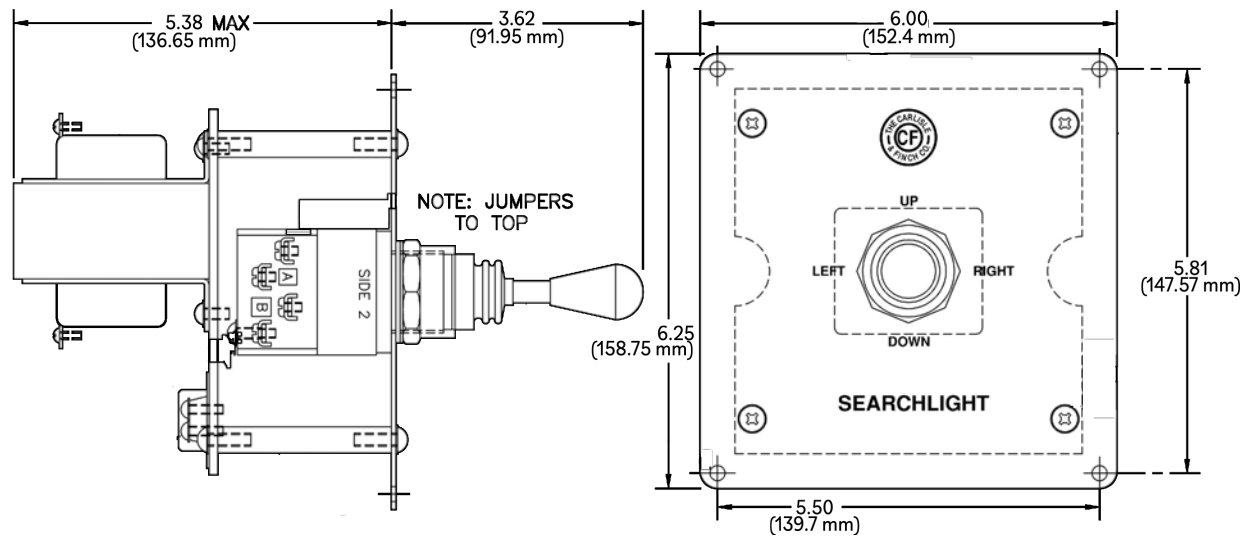
C2-12 Controller
includes Beam ON/OFF, Dim and Strobe Switches



C8160 Joystick Controller
provides UP, DOWN, RIGHT and LEFT Aiming and Dynamic Breaking (115 VAC-only)

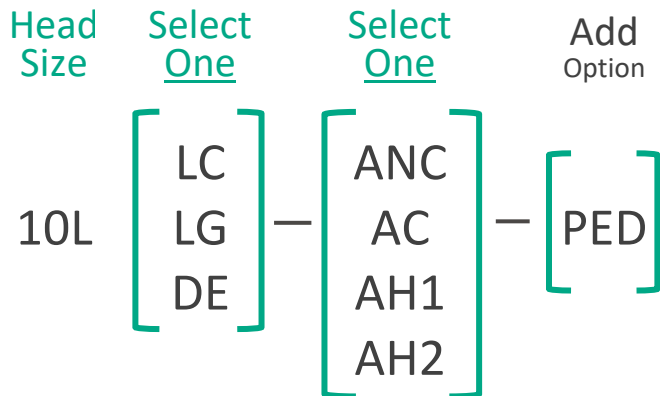


C8160-230 Joystick Controller
provides UP, DOWN, RIGHT and LEFT Aiming and Dynamic Breaking (230VAC-only)



How to specify Searchlight

Model Number



PED

Tall Pedestal Base

Option

- Manual Control Only
- Consult Factory

LC Local Handle Control
LG Remote Lever Gear
DE Joystick Electric Control

ANC 115/230 VAC (no Strobe/DIM)
AC 115/230 VAC (with Strobe/DIM)
AH1 115 VAC (with Anti-Icing Heaters)
AH2 230 VAC (with Anti-Icing Heaters)

Note: To specify Searchlight Model Number, go to top of page and insert letters from left to right as applicable.

Example #1

Model Number: 10L-LG-ANC-PED

10-inch (254mm) diameter, Remote Lever-Gear Control, 115 VAC and Tall Pedestal option

Example #2

Model Number: 10L-DE-AH2

10-inch (254mm) diameter, Joystick Electric Control, 230 VAC and Anti-Icing Heaters