



1074 Kenran Industrial Blvd  
 Saint Louis, MO 63137  
 Phone: (800) 381-9968

# HUMCO Lights

## C&F 500W DEC Xenon Searchlight

### 500 Watt DEC Xenon

### Electric Control Searchlights

### ***45 Million Candlepower with Remote Electric Beam-size***

#### **Features**



***Carlisle & Finch is the standard of the U.S. Navy, U.S. Coast Guard and U.S. Federal Prisons.***

- **Beam Intensity:** 45 Million Beam Candlepower illuminates an object approximately 6700 meters away on a clear night!
- **Electric Beam-Size Focus:** Beam can be widened and narrowed remote electrically, throughout a continuous spectrum.
- **Beam-size Focus Knob:** External Knob changes beam-size with no tools, and provides back-up should the focus motor fail.
- **Proportional-Speed Joystick:** Speed and Direction are controlled by Joystick... i.e. "Move Joystick to the first position and Beam moves slowly... move the Joystick further and it speeds up!".
- **"Multi-board Safety Back-up"...** electronic power supply design incorporates two boards in parallel, and if one fails, the beam will still operate in back-up mode!
- **Bullet-Resistant Reflector...** Precision-Optic Reflector with virtually indestructible Nickel Material helps prevent breakage if fixture is impacted by bullets or rocks.
- **Anti-icing Heater: (optional):** Thermostatically-controlled heaters are located in the Arm Pivots, Rack and Base.
- **Azimuth Indicator (optional):** Position Indicator LCD panel displays where the Beam is aimed in degrees.
- **Thermal Camera (optional):** Optional thermal camera added to searchlight provides greater Night Vision capability.
- **SmartVIEW™ Control (optional):** Micro-processor controls provide switching throughout a Digital BUS Network, and multiple protocols are offered: TCP/IP, RS232, RS422 and RS485.
- **LED Hybrid (optional):** Auxiliary LED Light Modules project a "Wall of Light", 150 Meters Wide and over 230 Meters away, for strategic wide area and short range lighting.

#### **Searchlight Specifications**

**Electric Beam-Size Focus:** 1 to 20° (throughout continuous spectrum)  
**Temperature Range:** -25 °C to +48 °C (approx)  
**Environmental Protection:** IP56  
**Power Consumption:** 115VAC/12 Amps or 230 VAC/6Amps; 50/60HZ  
**Vertical Span:** +35 Deg to -35 Deg (Total 70 Deg approx)  
**Horizontal Span:** Beyond Full Circle (385 Degrees with sliding stop)  
**Beam Speed:** 25° per sec (Horizontal); 14° per sec (Vertical)  
**Lamp:** 500 Watt, Xenon Short Arc, 6500 °Kelvin  
**Beam Intensity:** 45 Million Candela  
**Distance Serviced measuring 1 LUX:** 6708 meters on a clear night  
**Reflector:** Precision Electroformed, Nickel Material, Bullet-Resistant  
**Materials:** Marine Grade Aluminum and Stainless Steel



***"Leaders in Searchlight Technology for over 122 years"***

# Electronic Power Supply with Multi-Board Safety Back-up!

*GO GREEN with the New C&F 500 Watt Xenon Power Supply... "Less than 1/3 the weight, Less than 1/3 the size, and 15% more efficient than previous models."*

## Features

- ⊙ Light Weight
- ⊙ Small Footprint
- ⊙ Improved Efficiency
- ⊙ \*Multi-Board Safety Back-up Design
- ⊙ 120 & 230 Volt Models Available
- ⊙ Integrated Hour Meter and Ammeter
- ⊙ Optional Outdoor Models Available
- ⊙ Backward compatible with previous generation power supplies



**Qty(2) Electronic Boards in parallel provide immediate Safety Back-up!**

\*Multi-Board Safety Back-up Design: The unique Carlisle & Finch design has multiple electronic boards connected in parallel which provide built-in redundancy. If a board fails, the searchlight will still operate in "back-up" mode. This feature insures greater searchlight reliability, and is offered by no other searchlight company in the world. Other searchlights, have a complete outage, if an electronic board fails!



*"Leaders in Searchlight Technology for over 122 Years"*



# **“Proportional-Speed” Joystick provides Single-Hand operation!**



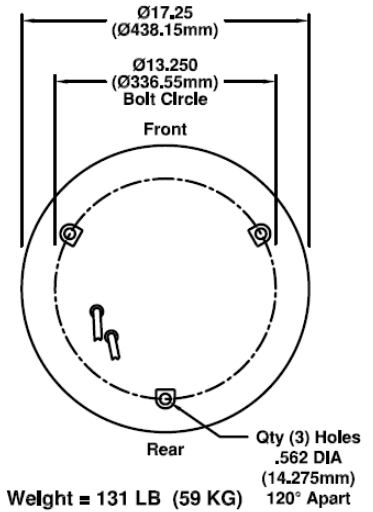
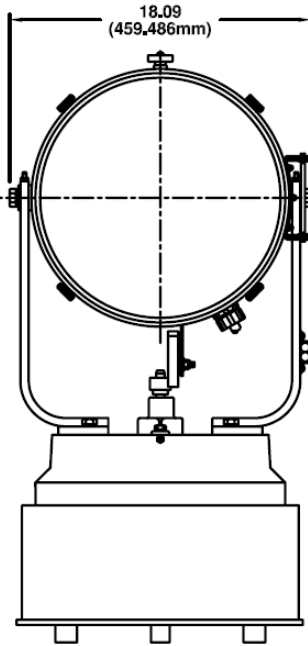
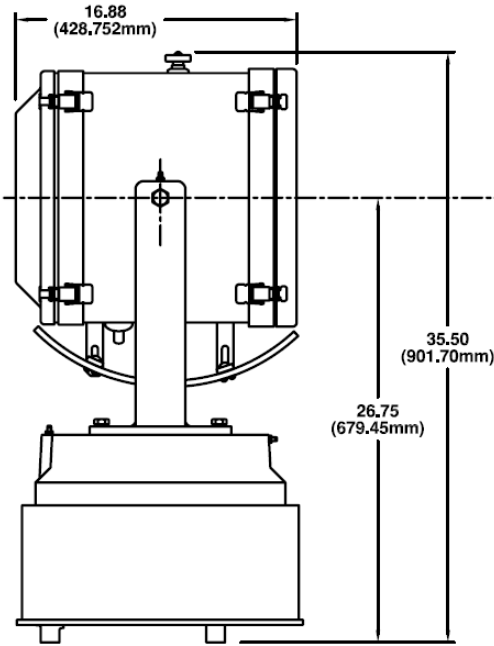
The Carlisle & Finch Company offers a “Proportional-Speed Joystick”, which controls the Beam-Speed and Beam-Direction by moving the Joystick with a single hand... i.e. “move the Joystick to the first position, and the Beam moves slowly... move it further and the Beam speeds up!”. Since the need for an additional Speed-Dial or Fast/Slow Switch has now been eliminated (which requires the user to use two hands of operation), the operator can now use his/her free hand to steer the vessel, hold binoculars, or hold a fire arm. Additional Joystick Functions are: Beam-ON, Beam-OFF, Electric Beam-size Focus, Proportional-Speed Joystick (described above), and Beam-On Indicator light (offered on Indoor Stations-only).



*“Leaders in Searchlight Technology for over 122 Years”*



## 500 Watt Xenon Searchlights Models X9398-RF and X9398-HRF Dimensions in Inches (mm)

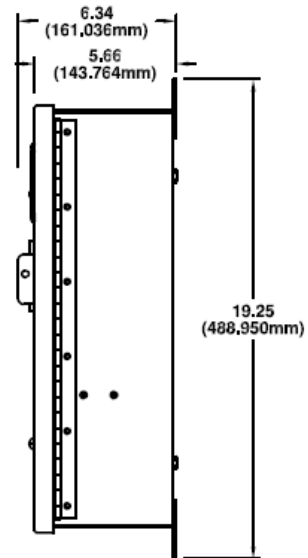
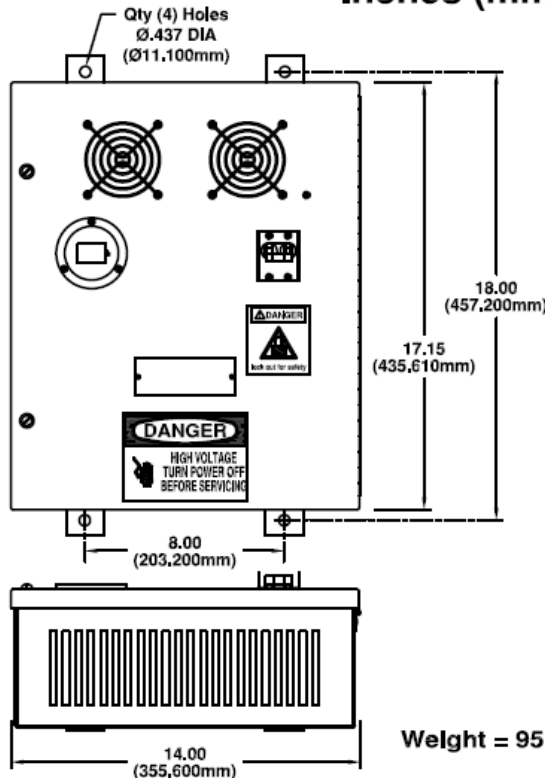


Weight = 131 LB (59 KG)

DRAWN RPA	DATE 9/18/06	THE CARLISLE & FINCH CO. CINCINNATI, OHIO	
CHKD	APVD	TITLE <b>500W SEARCHLIGHT</b>	
SIZE F	PART NO. X9398-	(DIM)	REV
SCALE HALF	SHEET 1 OF 1		



## 500 Watt Xenon Power Supply Dimensions Inches (mm)



Weight = 95 LB (45 KG)

DRAWN RPA	DATE 2/29/12	THE CARLISLE & FINCH CO. CINCINNATI, OHIO	
CHKD	APVD	TITLE <b>500W POWER SUPPLY</b>	
SIZE F	PART NO. 6PS	(DIM)	REV
SCALE NONE	SHEET 1 OF 1		

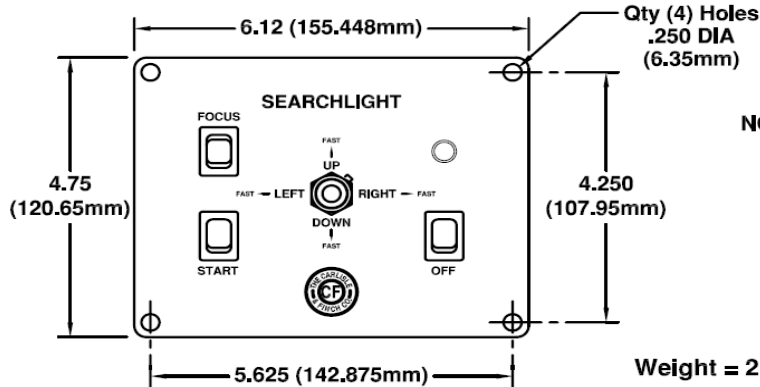
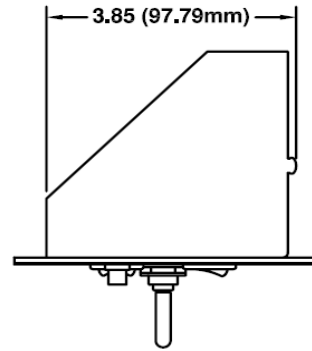
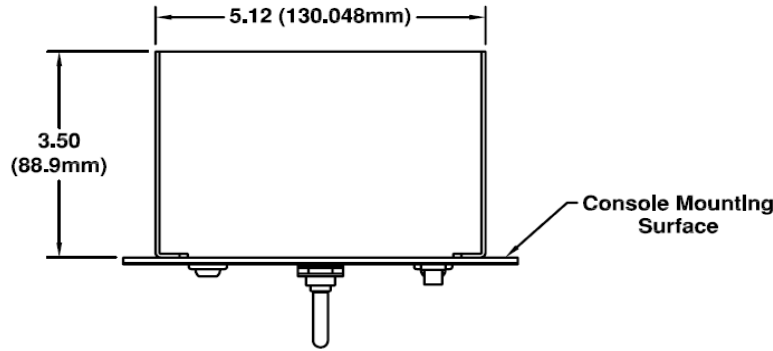


*"Leaders in Searchlight Technology for over 122 Years"*



## 500 Watt Xenon C4-1M-1 (Indoor) and C4E1M-1-1 (Outdoor) Joystick Controls

### Dimensions in Inches (mm)



**NOTE:** Dimensions shown are for Control Panel recessed below console surface. Consult factory for mounting in external enclosure.

**Weight = 2 LB (.9 KG)**

REVISED	DATE	THE CARLISLE & FINCH CO. CINCINNATI, OHIO	
RPA	9/18/06	TITLE	
SIZE		CONTROL STATION	
C	C4	PART NO.	REV
SCALE	FULL	1M-1(DIM)	.
		SHEET	1 OF 1

## How to Specify a Searchlight System

Searchlight Model	Power Supply Model	Joystick Controller Model
X9398-RF (Standard)	6PS115DE (115 VAC)	C4-1M-1 (Indoor Station)
or	or	and/or
X9398-HRF (Includes Anti-icing Heaters)	6PS230DE (230 VAC)	C4E1M-1-2 (Outdoor Weatherproof Station)

**How to Specify a System:** Read across the table and select one Searchlight, one Power Supply and one or more Joystick Controllers. For special options listed below, insert the letter into the searchlight model number, to the right of the hyphen, and in alphabetical order.

- To order Anti-icing Heaters add “-H” to the searchlight model number.
- To order Azimuth Position Indicator add “-A” to the searchlight model number.
- To order Full Manual Back add “-M” to the searchlight model number.
- To order a Thermal Camera, LED Module, or SmartVIEW™ Controls, Consult Factory.

Example Order: Searchlight with Anti-icing Heaters and Azimuth Indicator, 115VAC and (1) indoor and (2) outdoor stations... Qty(1) X9398-AHRF, Qty(1) 6PS115DE, Qty(1) C4-1M-2 and Qty(2) C4E1M-1-2