



1074 Kenran Industrial Blvd
 Saint Louis, MO 63137
 Phone: (800) 381-9968

HUMCO Lights

C&F 19" Incandescent DEC Searchlights

19-inch (483mm) Halogen Searchlight *Joystick Electric Control with 4.5 Million Candlepower*

Features



Carlisle & Finch is the standard of the U.S. Navy, U.S. Coast Guard and U.S. Federal Prisons.

- **Beam Intensity:** 4.5 Million Beam Candlepower illuminates an object/person approximately 2121 meters away on clear night!
- **8-Way Joystick with Speed Control:** Joystick can be aimed UP, DOWN, RIGHT, LEFT and DIAGONALLY, and Speed Dial changes Beam-speed from 0 to 25 Degrees per second.
- **Shock-mounted Lampholder...** Helps prevent filament breakage due to ship vibration, or if fixture is impacted by bullets or rocks at Prison Facility (Medium Prefocus Lampholder-only).
- **Robust Powder Coat Finish...** Scratch-resistant and Salt-resistant (custom colors available).
- **Anti-icing Heater: (optional):** Thermostatically-controlled heaters are located in the Arm Pivots, Rack and Base.
- **LED Hybrid (optional):** Auxiliary LED Light Modules project a "Wall of Light", 150 Meters Wide and over 230 Meters away, used for strategic short-range perimeter lighting.
- **Slip-Rings in Base (optional):** Provides continuous, unlimited 360° Motion with No Stop Points.
- **Azimuth Position Indicator (optional):** Position Indicator Panel displays Horizontal Beam-Position in degrees.
- **NightFINDER™ Thermal Camera (optional):** Optional thermal camera added to searchlight provides greater night vision capabilities.
- **SmartVIEW™ Control (optional):** Micro-processor controls provide intelligent switching throughout a BUS Network, with multiple protocols offered: TCP/IP, RS232, RS422 and RS485.

Searchlight Specifications

Temperature Range: -25 °C to +48 °C (approx)
Environmental Protection: IP56
Power Consumption: 115VAC/8.7 Amps or 230 VAC/4.35 Amps; 50/60HZ
Vertical Span: +35 Deg to -35 Deg (Total 70 Deg approx)
Horizontal Span (Standard): 385 Degrees with unique Sliding Stop.
Horizontal Span (Slip-Rings): Unlimited, Continuous with No Stop Points.
Beam Speed: 25° per sec (Horizontal); 14° per sec (Vertical)
Light Source: Incandescent Halogen and LED with Hybrid Option.
Beam Intensity: 4.5 Million Candela
Distance Serviced measuring 1 LUX: 2121 meters on a clear night.
Reflector: Silvered Glass Mirror
Materials: Marine Grade Aluminum and Stainless Steel
Finish: Salt-resistant White Powder (Custom Colors available)

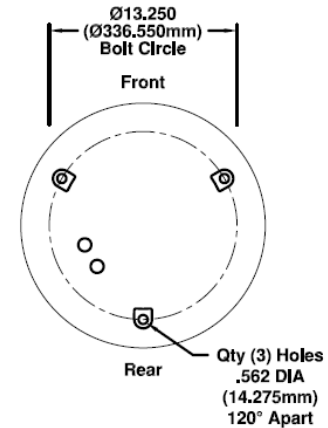
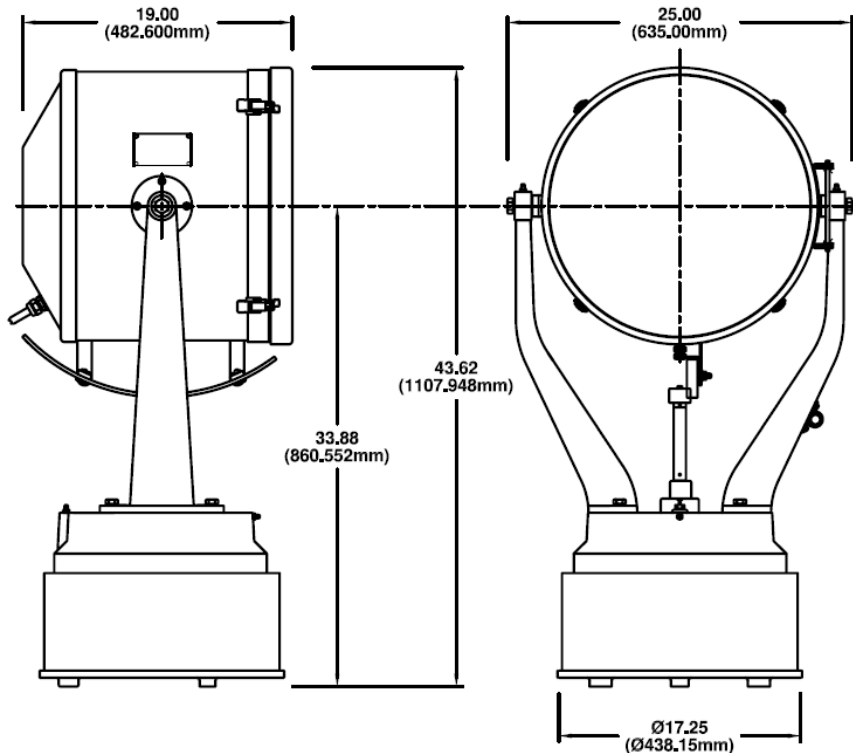


"Leaders in Searchlight Technology for over 122 years"



Model 19SL8660D-() Joystick Control Searchlight

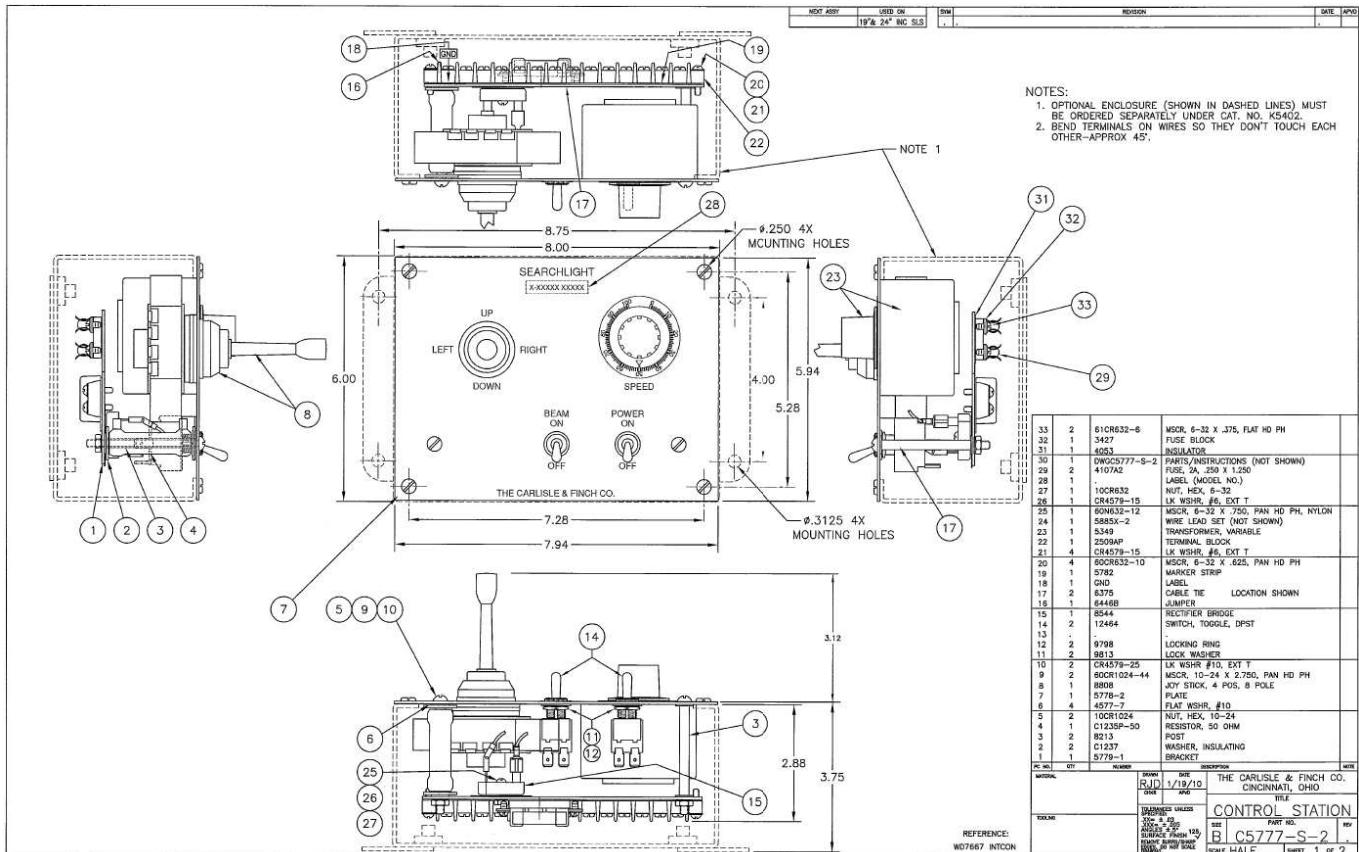
Dimensions in Inches (mm)



Weight = 186 LB (85 KG)

| | | | |
|--------|---------|--|--------|
| DESIGN | DATE | THE CARLISLE & FINCH CO. CINCINNATI, OHIO | |
| RPA | 6/22/11 | TITLE | |
| CHG | APD | 19" SEARCHLIGHT | |
| SIZE | F | PART NO. | REV |
| | | 19SL8660 (DIM) | . |
| SCALE | NONE | SHEET | 1 OF 1 |

Model C5777-S-2 Joystick Controller (Used for a Single Point of Control, 115V)



Selection Table

| Searchlight Model Number | Description | Reference |
|-----------------------------|---|--------------------------|
| 19SL8660D | 19-inch (483mm) Diameter Halogen Searchlight, mounted on a Joystick Controlled <u>Standard</u> motorized Pan/Tilt Base | See DWG at Top of Page 2 |
| 19SL8660D-H | 19-inch (483mm) Diameter Halogen Searchlight, mounted on a Joystick Controlled <u>Standard</u> motorized Pan/Tilt Base, and includes thermostatically controlled Anti-icing Heaters. | See DWG at Top of Page 2 |
| 19SL8660D-CR | 19-inch (483mm) Diameter Halogen Searchlight, mounted on a Joystick Controlled <u>Slip-Ring</u> motorized Pan/Tilt Base | See DWG at Top of Page 2 |
| 19SL8660D-CRH | 19-inch (483mm) Diameter Halogen Searchlight, mounted on a Joystick Controlled <u>Slip-Ring</u> motorized Pan/Tilt Base, and includes thermostatically controlled Anti-icing Heaters. | See DWG at Top of Page 2 |

| Joystick Controller Model Number | Description | Reference |
|-------------------------------------|---|--------------------------------|
| C5777-S-2 | Joystick Controller, 115VC, with Beam-Speed Dial. Note: Used when only <u>one</u> Joystick controls the same searchlight. | See DWG at Bottom of Page 2 |
| C5777-S-230 | Joystick Controller, 230VC, with Beam-Speed Dial. Note: Used when only <u>one</u> Joystick controls the same searchlight. | See DWG at Top of Page 3 |
| 8779X-S | Joystick Controller, 115VC, with Beam-Speed Dial. Note: Used when <u>two or more</u> Joysticks control the same searchlight, and must connect to Relay Controller 8973XS-1 (see below) | See DWG at Bottom of Page 3 |
| 8973XS-1 | Relay Controller. Note: One per searchlight is required, and used in conjunction with two or more 8779X-S Joystick Controllers. Size: 12-in (W) x 16 (T) x 6.62 (D); (305mm x 406mm x 168mm) | DWG can be supplied on request |

NOTE: The above searchlights are aimed with remote Joystick Electric Controls, and include a Medium Prefocus Lampholder with a Unique Shock Absorbing Base. For other Lampholders (i.e. Mogul Prefocus, Mogul Bipost or 2-Pin Prefocus), or to specify optional features, such as the NightFINDER™ Thermal Camera, the LED Hybrid Feature, or SmartVIEW™ Controls, consult Factory



“Leaders in Searchlight Technology for over 122 Years”