



1074 Kenran Industrial Blvd
 Saint Louis, MO 63137
 Phone: (800) 381-9968

HUMCO Lights

C&F 10", 12" & 15" Incandescent DEC Searchlights

Bulletin D116-DEC-10-12-15-inch-WEB

Marine and Security Searchlights

"Rugged Design withstands harsh environments"

Features



Powerful and Robust!

- **Powerful Beams... 1KM to 2KM Range!**
 - 1.0 Million Candlepower (254mm/10-inch Diameter)
 - 1.6 Million Candlepower (305mm/12-inch Diameter)
 - 3.0 Million Candlepower (381mm/15-inch Diameter)
- **Materials/Finish...** Brass and Stainless Steel, with Salt-Resistant Powder Coat or Chrome Finish.
- **Anti-shock Lamp Holder Design...** helps prevent lamp filament damage due to vessel vibration, or impact from bullets and rocks.
- **Anti-condensation Heater...** located in base which helps prolong life of electrical components.
- **Wide Range of Voltages...** 12VDC, 24VDC, 115VAC and 230VAC.
- **Multiple Weatherproof Controls...** unlimited Joystick Controllers can control the same searchlight.
- **Anti-icing Heater Circuitry (optional)...** heaters in base prevent ice-build-up in cold weather climates.
- **LED Hybrid (optional):** Auxiliary LED Modules illuminate wide areas closer to the Guardhouse or Marine Vessel, where the narrower halogen beam cannot effectively service.
- **NightFINDER™ (optional):** Embedded Thermal Camera integrated onto Searchlight Pan/Tilt Base.

Marine and Security Applications

This searchlight family is used widely throughout the U.S. Army, U.S. Navy and U.S. Coast Guard for Marine and Security Use. It is a rugged and high quality Brass and Stainless Fixture, with a powerful Beam which services distances from 1 to 2KM, depending on the fixture-size selected. The beam will immediately stop on the target, with built-in electric braking. The rotation is beyond a full circle (385°) with a unique sliding stop design!



U.S. Coast Guard Vessel using Carlisle & Finch Searchlight!



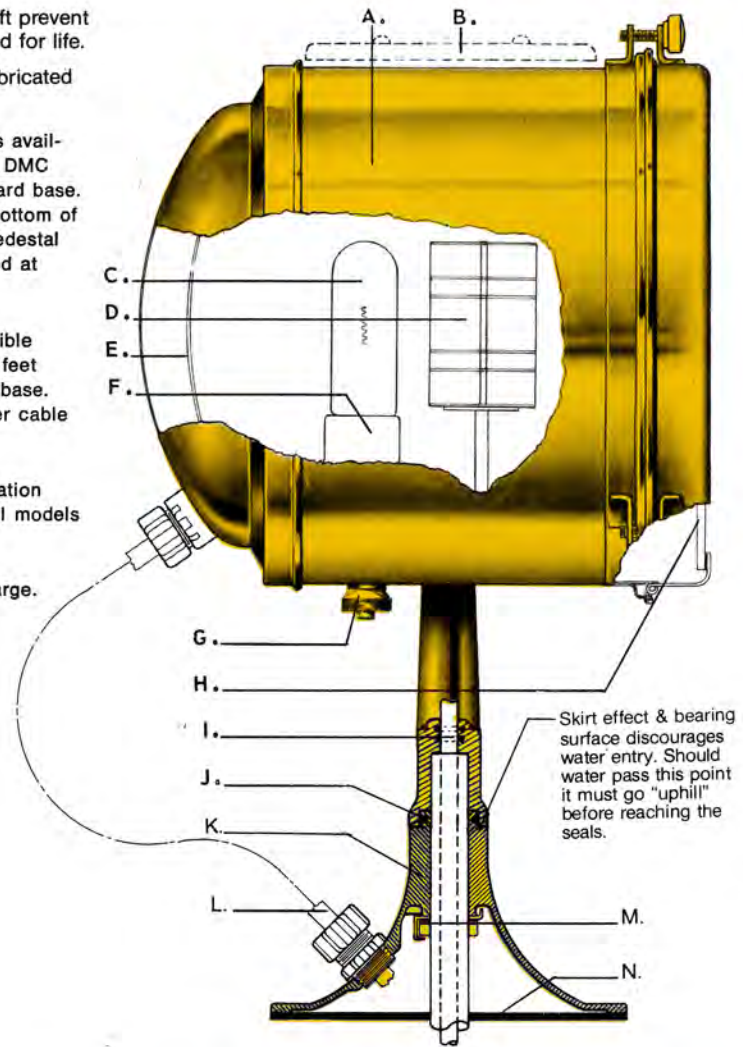
"Helping Mariners see at Night for over 122 Years"

- A. Available in Three Beautiful External Finishes: white enamel, polished brass, or polished chrome. Interior finished with heat resistant flat black paint.
- B. Vented Drum Available for 12" and 15" searchlights allowing use of 1000 watt lamps.
- C. Many Lamp Types accommodated. See listing on page 3.
- D. Metal Louvers eliminate front spill light.
- E. High Quality Silvered Glass Reflector efficiently concentrates light into a powerful beam.
- F. Choice of Lampholders

	10"	12"	15"
1 Medium Screw	Yes	Yes	Yes
2 Medium Prefocus	*Yes	*Yes	*Yes
3 Mogul Screw	No	Yes	Yes
4 Mogul Bipost	No	No	Yes
5 2-Pin Prefocus	Yes	Yes	Yes

*Supplied as standard if lampholder not specified.
- G. External Focus Control permits changing beam from spot to flood with lamp operating, without the use of tools.
- H. Heat-Tempered Cover Glass and tight sealing door gasket provide maximum protection for drum interior.

- I. Double seals around control shaft prevent leakage to pilot house. Lubricated for life.
- J. Seal between base and yoke. Lubricated for life.
- K. Standard, High, or Pedestal Bases available with any control type except DMC which is available only with standard base. Special heights (measured from bottom of base to centerline of beam) for pedestal base searchlights may be specified at extra charge.
- L. Heavy Duty Three-Conductor Flexible Cable extends approximately two feet below water-tight stuffing tube in base. Third conductor grounded. Longer cable can be supplied at extra charge.
- M. Sliding Stop allows horizontal rotation in excess of 360°. Supplied on all models except Local Control and DMC.
- N. Base Gasket optional at extra charge.

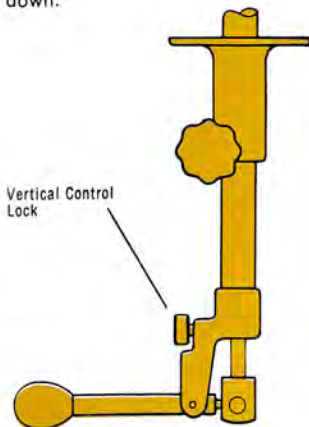


These searchlights are ruggedly constructed entirely of brass and are designed for heavy duty marine service.

Six Basic Control Types

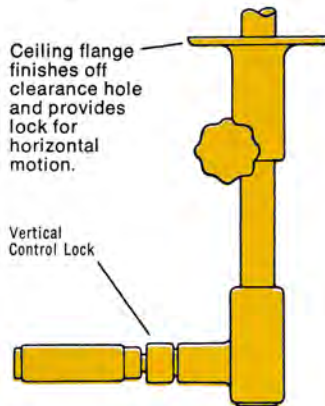
Lever Control:

Single lever controls all motions. Horizontal movement by pointing lever, vertical by moving knob on lever up or down.



Lever-Gear Control:

Operates conveniently with one hand. Horizontal movements by pointing lever. Vertical by twisting handle.

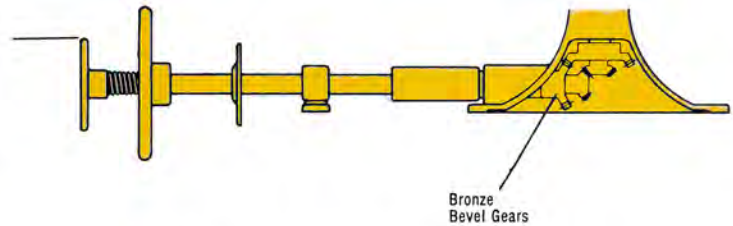


Local Control

(see Figs. 1, 2, 3, on page 5); Searchlight has training handle on back dome and hand clamps for clamping in any position.

Distant Electric Control (DEC):

See latest revision of bulletin D116 for these same size searchlights controlled from one or more electric remote control stations.

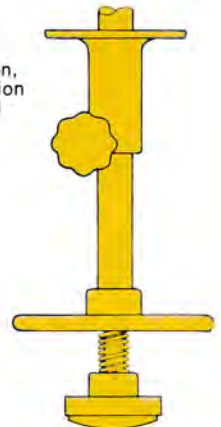
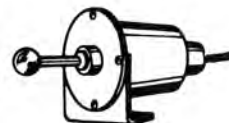


Distant Mechanical Control (DMC):

Similar to wheel control except that control shafts are at right angle to searchlight base.

Wheel Control:

Upper wheel controls horizontal motion, lower wheel the vertical motion. Friction brake holds searchlight in any vertical position.



Searchlight Lamp Data

Lamp Data								Peak Beam Candlepower			
Ref.	Code	Watts	Volts	Bulb Size	Base	Description	Filament	*Average Hrs. Life	10" Scht.	12" Scht.	15" Scht.
21.5	FDT	100	12	T4	2-Pin Prefocus	Tungsten Halogen	C6	50	765,000	1,170,000	1,750,000
22	CPR	108	6	T10	Medium Prefocus	Projection	C8	50	350,000	563,000	-----
23.01	FDS	150	24	T4	2-Pin Prefocus	Tungsten Halogen	C6	100	935,000	1,380,000	2,030,000
46.5	BTM	500	120	T6	Medium Prefocus	Tungsten Halogen	C13D	100	950,000	1,160,000	2,080,000
47	CZX	500	120	T10	Medium Prefocus	Projection	C13D	25	900,000	1,170,000	-----
51	DMX	500	120	T20	Medium Prefocus	Projection	C13	50	475,000	780,000	-----
53.8	DYS	600	120	G7	2-Pin Prefocus	Tungsten Halogen	CC6	75	**781,000	1,130,000	1,840,000
54.5	BTP	750	120	T6	Medium Prefocus	Tungsten Halogen	C13D	200	not used	1,520,000	2,820,000

LAMPS BELOW TO BE USED IN VENTED DRUMS ONLY

68.05	BTR	1000	120	T7	Medium Prefocus	Tungsten Halogen	C13D	200	not used	1,520,000	2,820,000
70	DRS	1000	120	T20	Medium Prefocus	Projection	C13D	25	not used	1,650,000	3,280,000
71	DRC	1000	120	T20	Medium Prefocus	Projection	C13	50	not used	800,000	1,760,000

* These lamp manufacturer's figures are relative only. Individual lamps may vary considerably.

**Intermittent duty only (one hour or less).

NEW!!

Medium Prefocus Lampholders on 12 and 15-inch searchlights have unique Shock Absorbing Base Design, which helps prevent lamp filament damage due to excess vibration and shock impact.

Accessories & Parts

Description	Part No. For Size Scht.		
	10"	12"	15"
Cover, Protective	SL3322A	SL3322A	SL3322B
Cover Glass	SL62	SL102	SL1085
Gasket, Base, DMC	SL3318B	SL3318B	SL3318B
Gasket, Base, High	SL3318B	SL3318B	SL3318B
Gasket, Base, Pedestal	SL3318C	SL3318C	SL3318C
Gasket, Base, Standard	SL3318A	SL3318B	SL3318B
Lampholder, Med. Pref.	SL1250C	SL1250C	SL1250C
Lampholder, Med. Screw	SL1087-1	SL1087-1	SL1087-1
Lampholder, Mogul Bip.	—	—	FE132X
Lampholder, Mogul Screw	—	SL96	SL96
Lampholder, 2-Pin Pref.	8704	8704	8704
Reflector	SL1083A	SL107	SL1084

How to Order Searchlights

Specify size searchlight, type control, type base, type drum, type finish, type lampholder, and give code word or catalog number. Give ordering code and volts of lamp. Specify length of control (measured from bottom of base to centerline of lever or upper wheel) if other than the standard dimensions shown on the dimension drawings. Specify pedestal height (measured from bottom of base to centerline of drum) if different from the standard 48 inches.

Example: 12" searchlight, lever control, standard base, vented drum, enamel finish, medium prefocus lampholder, code RECITE-E2. Special length control 22" base to centerline lever. Two lamps code BTR 120 volts.

To designate the specific lampholder desired add one of the following suffixes to the code word or catalog number:

Medium Screw Lampholder	—1	Mogul Screw Lampholder	—3
Medium Prefocus Lampholder	—2	Mogul Bipost Lampholder	—4
		2-Pin Prefocus Lampholder	—5



**Manufacturers of
Quality Marine Lighting Equipment
Since 1894**

Searchlight Selection Table

Type Control	Type Base		Type Drum	Searchlight Code Word or Catalog No.			Net Wt. Lbs.	Shipping Wt. Lbs.
				Enamel Finish	Polished Finish	Chromium Finish		
Local	Standard	(Fig. 1)	Non Vented	RAIN-E	RAIN	CRAIN	15	21
	High	(Fig. 2)	Non Vented	ROSE-E	ROSE	CROSE	22	28
	Pedestal	(Fig. 3)	Non Vented	RAJAH-E	RAJAH	CRAJAH	29	59
Lever	Standard	(Figs. 4 & 7)	Non Vented	REDAN-E	REDAN	CREDAN	19	25
	High	(Figs. 5 & 7)	Non Vented	REFORM-E	REFORM	CREFORM	27	33
	Pedestal	(Figs. 6 & 7)	Non Vented	10SL1624XE	10SL1624X	10SL1624XC	34	55
Lever-Gear	Standard	(Figs. 4 & 8)	Non Vented	10SL8425E	10SL8425P	10SL8425C	22	28
	High	(Figs. 5 & 8)	Non Vented	10SL8426E	10SL8426P	10SL8426C	30	36
	Pedestal	(Figs. 6 & 8)	Non Vented	10SL8427E	10SL8427P	10SL8427C	37	58
Wheel	Standard	(Figs. 4 & 9)	Non Vented	RANK-E	RANK	CRANK	19	25
	High	(Figs. 5 & 9)	Non Vented	ROPE-E	ROPE	CROPE	27	33
	Pedestal	(Figs. 6 & 9)	Non Vented	10SL1620XE	10SL1620X	10SL1620XC	37	55
DMC	Standard	(Fig. 10)	Non Vented	10SL200E	10SL200P	10SL200C	32	53
Local	Standard	(Fig. 1)	Non Vented	RAKE-E	RAKE	CRAKE	22	31
	High	(Fig. 2)	Vented	RATE-E	RATE	CRATE	22	31
			Non Vented	ROME-E	ROME	CROME	27	36
	Pedestal	(Fig. 3)	Vented	RUN-E	RUN	CRUN	27	36
			Non Vented	RETARD-E	RETARD	CRETARD	34	64
Vented	12SL1648XE	12SL1648X	12SL1648XC	34	64			
Lever	Standard	(Figs. 4 & 7)	Non Vented	REDEEM-E	REDEEM	CREDEEM	26	35
	High	(Figs. 5 & 7)	Vented	RECITE-E	RECITE	CRECITE	26	35
			Non Vented	REFUGE-E	REFUGE	CREFUGE	32	41
	Pedestal	(Figs. 6 & 7)	Vented	RESIN-E	RESIN	CRESIN	32	41
			Non Vented	12SL1625XE	12SL1625X	12SL1625XC	39	60
Vented	12SL1650XE	12SL1650X	12SL1650XC	39	60			
Lever-Gear	Standard	(Figs. 4 & 8)	Non Vented	12SL8186E	12SL8186P	12SL8186C	29	38
	High	(Figs. 5 & 8)	Vented	12SL8186VE	12SL8186VP	12SL8186VC	29	38
			Non Vented	12SL8410E	12SL8410P	12SL8410C	35	44
	Pedestal	(Figs. 6 & 8)	Vented	12SL8410VE	12SL8410VP	12SL8410VC	35	44
			Non Vented	12SL8428E	12SL8428P	12SL8428C	42	63
Vented	12SL8428VE	12SL8428VP	12SL8428VC	42	63			
Wheel	Standard	(Figs. 4 & 9)	Non Vented	RASP-E	RASP	CRASP	26	35
	High	(Figs. 5 & 9)	Vented	REAR-E	REAR	CREAR	26	35
			Non Vented	RUSE-E	RUSE	CRUSE	32	41
	Pedestal	(Figs. 6 & 9)	Vented	RIPE-E	RIPE	CRIFE	32	41
			Non Vented	12SL1621XE	12SL1621X	12SL1621XC	39	60
Vented	12SL1649XE	12SL1649X	12SL1649XC	39	60			
DMC	Standard	(Fig. 10)	Non Vented	12SL201E	12SL201P	12SL201C	37	58
Vented	12SL203E	12SL203P	12SL203C	37	58			
Local	Standard	(Fig. 1)	Non Vented	REDGUM-E	REDGUM	CREDGUM	39	51
	High	(Fig. 2)	Vented	REDGUM-VE	REDGUM-V	CREDGUM-V	39	51
			Non Vented	REEL-E	REEL	CREEL	44	56
	Pedestal	(Fig. 3)	Vented	REEL-VE	REEL-V	CREEL-V	44	56
			Non Vented	RONTY-E	RONTY	CRONTY	50	80
Vented	RONTY-VE	RONTY-V	CRONTY-V	50	80			
Lever	Standard	(Figs. 4 & 7)	Non Vented	RADIAL-E	RADIAL	CRADIAL	43	55
	High	(Figs. 5 & 7)	Vented	RADIAL-VE	RADIAL-V	CRADIAL-V	43	55
			Non Vented	RAINBOW-E	RAINBOW	CRAINBOW	49	61
	Pedestal	(Figs. 6 & 7)	Vented	RAINBOW-VE	RAINBOW-V	CRAINBOW-V	49	61
			Non Vented	15SL1626XE	15SL1626X	15SL1626XC	56	77
Vented	15SL1626XE	15SL1626XV	15SL1626XVC	56	77			
Lever-Gear	Standard	(Figs. 4 & 8)	Non Vented	15SL8184E	15SL8184P	15SL8184C	46	58
	High	(Figs. 5 & 8)	Vented	15SL8184VE	15SL8184VP	15SL8184VC	46	58
			Non Vented	15SL8408E	15SL8408P	15SL8408C	52	64
	Pedestal	(Figs. 6 & 8)	Vented	15SL8408VE	15SL8408VP	15SL8408VC	52	64
			Non Vented	15SL8429E	15SL8429P	15SL8429C	59	80
Vented	15SL8429VE	15SL8429VP	15SL8429VC	59	80			
Wheel	Standard	(Figs. 4 & 9)	Non Vented	RACKET-E	RACKET	CRACKET	43	55
	High	(Figs. 5 & 9)	Vented	RACKET-VE	RACKET-V	CRACKET-V	43	55
			Non Vented	RABBIT-E	RABBIT	CRABBIT	49	61
	Pedestal	(Figs. 6 & 9)	Vented	RABBIT-VE	RABBIT-V	CRABBIT-V	49	61
			Non Vented	15SL1622XE	15SL1622X	15SL1622XC	56	77
Vented	15SL1622XE	15SL1622XV	15SL1622XVC	56	77			
DMC	Standard	(Fig. 10)	Non Vented	15SL202E	15SL202	15SL202C	54	75
Vented	15SL202VE	15SL202V	15SL202VC	54	75			

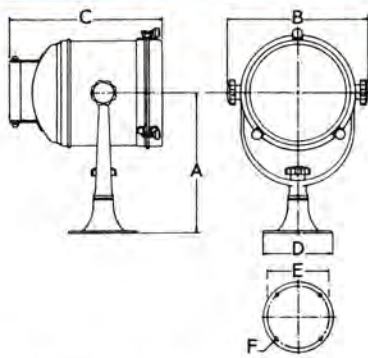


FIG. 1 LOCAL CONTROL STANDARD BASE

SIZE	A	B	C	D	E	F
10"	12 $\frac{3}{4}$	13 $\frac{1}{8}$	12	6 $\frac{3}{8}$	5 $\frac{5}{8}$	1 $\frac{1}{32}$
12"	15 $\frac{1}{16}$	15 $\frac{5}{8}$	15 $\frac{1}{2}$	8 $\frac{1}{4}$	7 $\frac{3}{8}$	1 $\frac{1}{32}$
15"	19 $\frac{7}{8}$	18 $\frac{7}{8}$	16 $\frac{7}{8}$	8 $\frac{1}{4}$	7 $\frac{3}{8}$	1 $\frac{1}{32}$

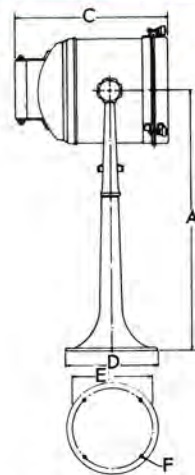


FIG. 2 LOCAL CONTROL HIGH BASE

SIZE	A	C	D	E	F
10"	23 $\frac{5}{8}$	12	8 $\frac{3}{8}$	7 $\frac{3}{8}$	1 $\frac{1}{32}$
12"	25 $\frac{1}{16}$	15 $\frac{1}{2}$	8 $\frac{3}{8}$	7 $\frac{3}{8}$	1 $\frac{1}{32}$
15"	29 $\frac{1}{2}$	16 $\frac{7}{8}$	8 $\frac{3}{8}$	7 $\frac{3}{8}$	1 $\frac{1}{32}$

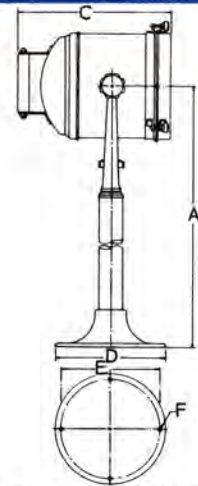


FIG. 3 LOCAL CONTROL PEDESTAL BASE

SIZE	A	C	D	E	F
10"	48	12	8 $\frac{1}{4}$	7 $\frac{3}{8}$	1 $\frac{1}{32}$
12"	48	15 $\frac{1}{2}$	8 $\frac{1}{4}$	7 $\frac{3}{8}$	1 $\frac{1}{32}$
15"	48	16 $\frac{7}{8}$	8 $\frac{1}{4}$	7 $\frac{3}{8}$	1 $\frac{1}{32}$

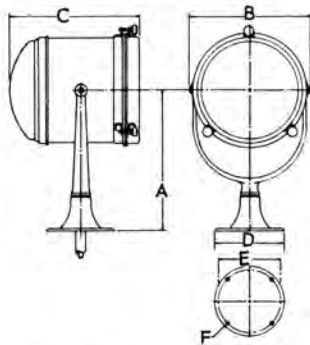


FIG. 4 STANDARD BASE MANUAL CONTROLS BELOW

SIZE	A	B	C	D	E	F
10"	12 $\frac{3}{4}$	11	10	6 $\frac{3}{8}$	5 $\frac{3}{8}$	1 $\frac{1}{32}$
12"	15 $\frac{1}{16}$	13 $\frac{1}{2}$	13 $\frac{1}{4}$	8 $\frac{1}{4}$	7 $\frac{3}{8}$	1 $\frac{1}{32}$
15"	19 $\frac{7}{8}$	16 $\frac{3}{4}$	14 $\frac{7}{8}$	8 $\frac{1}{4}$	7 $\frac{3}{8}$	1 $\frac{1}{32}$

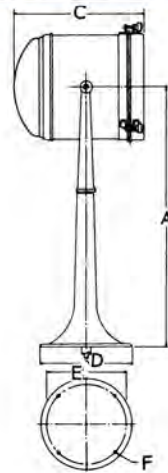


FIG. 5 HIGH BASE MANUAL CONTROLS BELOW

SIZE	A	C	D	E	F
10"	23 $\frac{5}{8}$	10	8 $\frac{3}{8}$	7 $\frac{3}{8}$	1 $\frac{1}{32}$
12"	25 $\frac{1}{16}$	13 $\frac{1}{4}$	8 $\frac{3}{8}$	7 $\frac{3}{8}$	1 $\frac{1}{32}$
15"	29 $\frac{1}{2}$	14 $\frac{7}{8}$	8 $\frac{3}{8}$	7 $\frac{3}{8}$	1 $\frac{1}{32}$

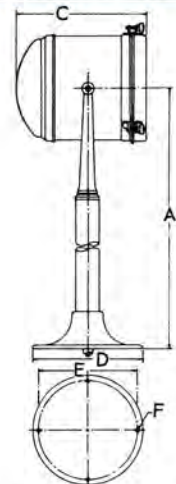


FIG. 6 PEDESTAL BASE MANUAL CONTROLS BELOW

SIZE	A	C	D	E	F
10"	48	10	8 $\frac{1}{4}$	7 $\frac{3}{8}$	1 $\frac{1}{32}$
12"	48	13 $\frac{1}{4}$	8 $\frac{1}{4}$	7 $\frac{3}{8}$	1 $\frac{1}{32}$
15"	48	14 $\frac{7}{8}$	8 $\frac{1}{4}$	7 $\frac{3}{8}$	1 $\frac{1}{32}$

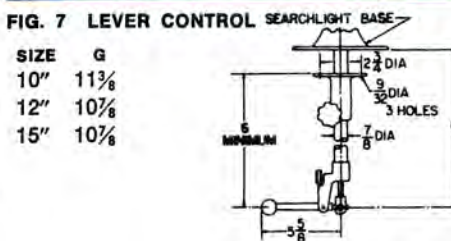


FIG. 7 LEVER CONTROL SEARCHLIGHT BASE

SIZE	G
10"	11 $\frac{3}{8}$
12"	10 $\frac{7}{8}$
15"	10 $\frac{7}{8}$

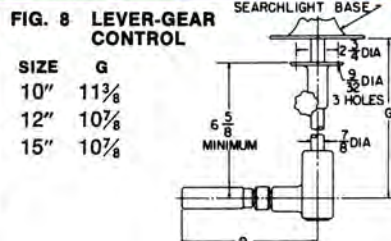


FIG. 8 LEVER-GEAR CONTROL SEARCHLIGHT BASE

SIZE	G
10"	11 $\frac{3}{8}$
12"	10 $\frac{7}{8}$
15"	10 $\frac{7}{8}$

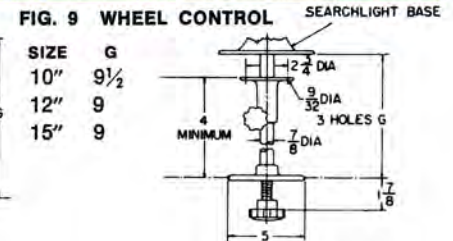
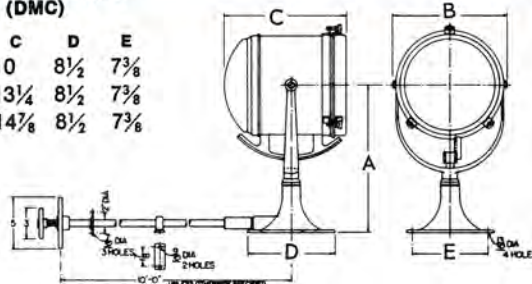


FIG. 9 WHEEL CONTROL SEARCHLIGHT BASE

SIZE	G
10"	9 $\frac{1}{2}$
12"	9
15"	9

FIG. 10 DISTANT MECHANICAL CONTROL (DMC)

SIZE	A	B	C	D	E
10"	14 $\frac{3}{16}$	11	10	8 $\frac{1}{2}$	7 $\frac{3}{8}$
12"	16 $\frac{1}{8}$	13 $\frac{1}{2}$	13 $\frac{1}{4}$	8 $\frac{1}{2}$	7 $\frac{3}{8}$
15"	20 $\frac{1}{16}$	16 $\frac{3}{4}$	14 $\frac{7}{8}$	8 $\frac{1}{2}$	7 $\frac{3}{8}$



NOTE: The specifications and details described by drawings or text in this literature are subject to change without notice.

